



Indoor Comfort Products Brought to You
by the Manufactured Home Experts!

Self-Contained Packaged Air Conditioners (SEER2)



2023 DOE-Compliant Models meet the 13.4 SEER2 performance minimums, and have been tested in accordance with new “M1” testing standards for all cooling equipment; where all DOE Regions can utilize these same models for a simplified stocking approach.

Competitive, Compact Footprints will fit some of the most aggressive lot lines, and allow for easier transportation and installation.

High-Static Blower utilizes a high-efficiency, 5-speed, fixed-torque, brushless-DC ECM.

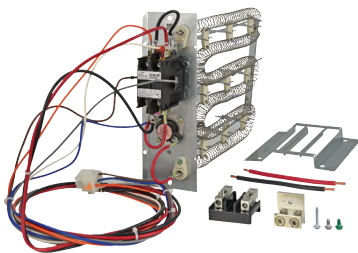
Advanced Refrigeration Technology including a factory-installed, liquid line filter-drier.

Optional Electric Heater Kits are available for field-installation in Air Conditioners or Heat Pumps, ranging from 5-15 kW output.

Convenient Service Access to all control components, compressor, evaporator coil, and indoor blower; with perimeter high and low-side refrigerant ports.

Aluminum Micro-Channel Coils are designed to optimize heat transfer, minimize footprint, decrease materials cost, reduce refrigerant volume, and resist formicary corrosion to promote longer service-life.

Dependable Warranty handled directly by Style Crest’s dedicated HVAC Team, offering the most competitive warranty coverage and service in the Manufactured Housing Industry.



H3HK Electric Heater Kit
(Sold Separately)



www.stylecrestinc.com | 800.945.4440

Self-Contained Packaged Air Conditioners (SEER2)

Nominal Tons ¹	Style Crest Item#	AHRI Model	AHRI Cert. #	Cooling Capacity	SEER2	EER2	R-410A Charge	MCA ²	MOP ²	Sound
1.5	RP94RD-018K	RP94RD-018K	208592739	17.8 MBH	13.4	10.6	56.4 Oz	15.3	20 A	72 dB
2	RP94RD-024K	RP94RD-024K	208592729	22.6 MBH	13.4	10.6	58.9 Oz	17.7	25 A	73 dB
2.5	RP94RD-030K	RP94RD-030K	208592731	29 MBH	13.4	10.6	49 Oz	20.3	25 A	77 dB
3	RP94RD-036K	RP94RD-036K	208592733	34.6 MBH	13.4	10.6	43.2 Oz	27.9	40 A	77 dB
3.5	RP94RD-042K	RP94RD-042K	208592735	39.5 MBH	13.4	10.6	57.8 Oz	32.8	45 A	76 dB
4	RP94RD-048K	RP94RD-048K	208592736	46 MBH	13.4	10.6	50.1 Oz	41.8	60 A	76 dB
5	RP94RD-060K	RP94RD-060K	208592737	57.5 MBH	13.4	10.6	80 Oz	45.1	60 A	75 dB

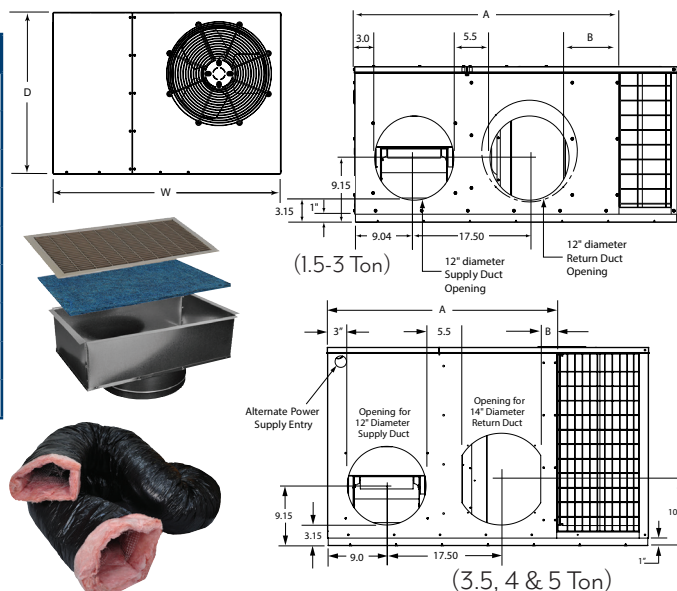
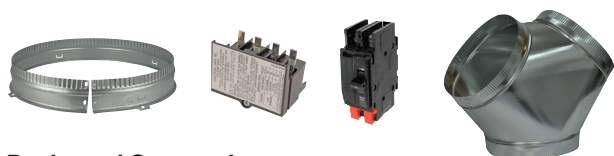
1) Refer to AHRI listings for actual capacities and performance data.

2) Electrical data for unit-only, which would not include the addition of any field-installed electric heater.

Nominal Tons ¹	Style Crest Item# & Model	Item Width	Item Depth	Item Height	Minimum Pad Size	Ship Width	Ship Depth	Ship Height	Ship Weight	UPC
1.5	RP94RD-018K	49"	35"	22 13/64"	49" x 35"	51"	37 1/2"	23"	238 lbs	663132448593
2	RP94RD-024K	49"	35"	22 13/64"	49" x 35"	51"	37 1/2"	23"	237 lbs	663132448579
2.5	RP94RD-030K	49"	35"	22 13/64"	49" x 35"	51"	37 1/2"	23"	243 lbs	663132448548
3	RP94RD-036K	49"	35"	22 13/64"	49" x 35"	51"	37 1/2"	23"	246 lbs	663132448517
3.5	RP94RD-042K	49"	35"	30 13/64"	49" x 35"	51"	37 1/2"	31"	303 lbs	663132448487
4	RP94RD-048K	49"	35"	30 13/64"	49" x 35"	51"	37 1/2"	31"	304 lbs	663132448456
5	RP94RD-060K	63"	35"	38 13/64"	63" x 35"	65"	37 1/2"	39"	394 lbs	663132448425

Packaged Unit Accessories

Style Crest Item#	Item Description
H3HK005H-01C	Nominal 5kW, Heater Kit, 240V/1/60
H3HK008H01B	Nominal 8kW, Heater Kit, 240V/1/60
H3HK010H-01C	Nominal 10kW, Heater Kit, 240V/1/60
H3HK015H-01C	Nominal 15kW, Heater Kit, 240V/1/60
294941	Duct Collar, 12"Ø, Round, Metal
294942	Duct Collar, 14"Ø, Round, Metal
1039295	Single Circuit Adapter, 4-Pole
913554	Circuit Breaker, 1-Phase, 2-Pole, 60A
1013934	Tie Down Kit, High Wind, Pkg'd Units



Packaged System Accessories

Style Crest Item#	Item Description
1181225	Flex Duct, 12"Ø, 25ft L, R-8 Fiberglass
1181425	Flex Duct, 14"Ø, 25ft L, R-8 Fiberglass
112012	RA Filter Box & Trunk Line Connector
1113038	Plastic Pipe Strap, 100ft x 3/4" x 0.05"
110225	Nylon Draw Bands, 36"L, 50-Pack
110248	Nylon Draw Bands, 48"L, 50-Pack
6014932	Duct Strap, Woven Fabric, 100ft x 1 3/4"

Style Crest Item#	Item Description
11121010	Metal Wye Adapter, 12"Ø x 2-10" Ø
11121212	Metal Wye Adapter, 12"Ø x 2-12" Ø
111412	Metal Wye Adapter, 14"Ø x 2-12" Ø
11141414	Metal Wye Adapter, 14"Ø x 2-14" Ø
1112108	Round Duct Transition, 12"Ø-10"Ø
1114128	Round Duct Transition, 14"Ø-12"Ø



www.stylecrestinc.com | 800.945.4440