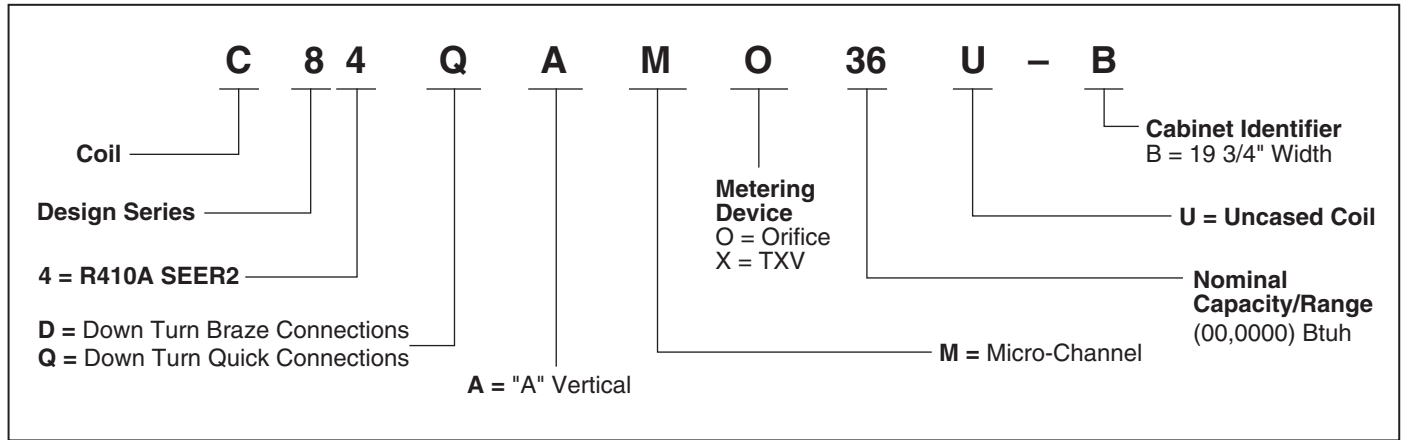


**TECHNICAL
SPECIFICATIONS**

C84 Manufactured Housing Indoor Coils

MODEL IDENTIFICATION CODE



Drain Pan—Bottom View

Dimension	"B" Cabinet 24-49
W	18 1/8"
B	10 5/8"

See Figure 1.

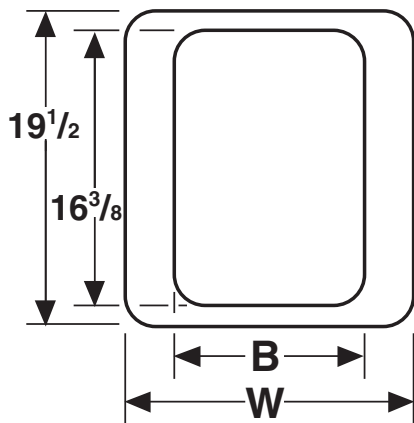
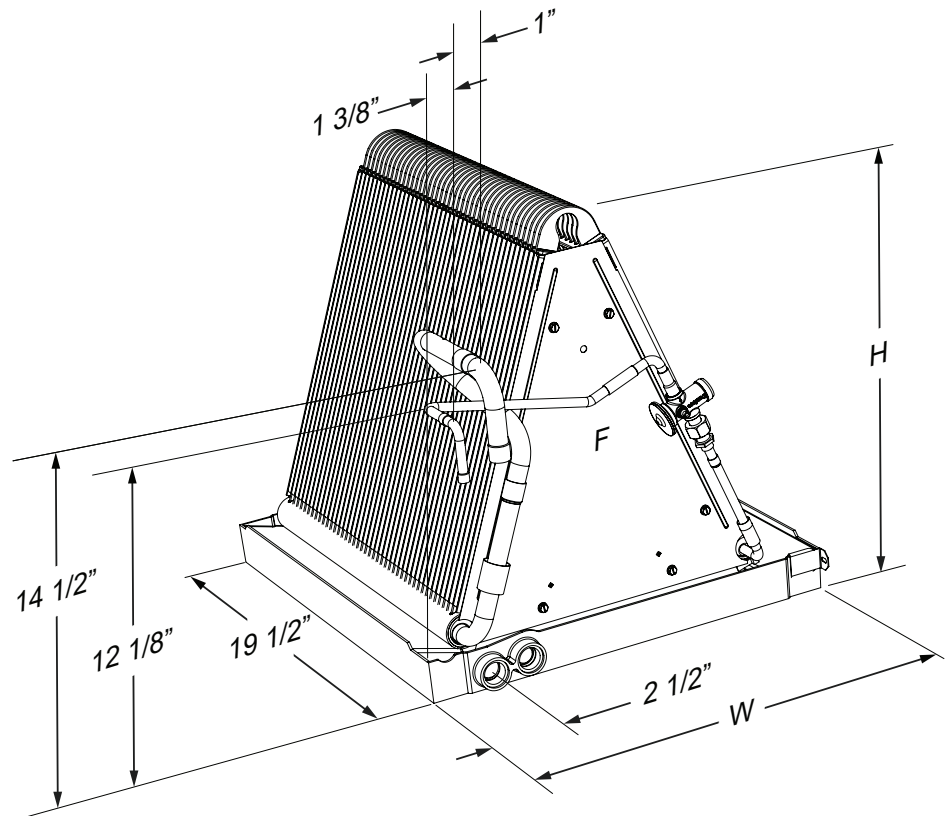


Figure 1. Drain Pan Dimensions



TXV Kits

920668A	R-410a 2.0T
920669A	R-410a 2.5T
920670A	R-410a 3.0T
920671A	R-410a 3.5T
920672A	R-410a 4.0T
920673A	R-410a 5.0T

COIL DATA TABLE

C84DA-	X24	X30	X36	X42	X43	X48	X49	X60
Nominal Capacity (BTU/hour)	24,000	30,000	36,000	42,000	42,000	48,000	48,000	60,000
Nominal Airflow (CFM)	800	1,000	1,200	1,400	1,400	1,600	1,600	2,000
W - Width (in.)	18 1/8	18 1/8	18 1/8	18 1/8	18 1/8	18 1/8	18 1/8	18 1/8
H - Height (in.)	18	18	18	18	25	25	29	29
D - Depth (in.)	19 1/2	19 1/2	19 1/2	19 1/2	19 1/2	19 1/2	19 1/2	19 1/2
Connection - Liquid Line (in.)	3/8	3/8	3/8	3/8	3/8	3/8	3/8	3/8
Connection - Suction Line (in.)	3/4	3/4	3/4	7/8	7/8	7/8	7/8	7/8

NOTES:

- Individual restrictors are available by part number - PN664*** (where *** represents the size).
Example: 664103 is a restrictor 0.103 in diameter.
- Refer to sales specification sheets for Listed/Certified combinations of equipment and required accessories.
- Refer to the current AHRI directory for certified ratings of split systems.

C84DA Coil Specifications

C84QA	X24	X30	X36	X42	X43	X48	X49
Nominal Capacity (BTU/hour)	24,000	30,000	36,000	42,000	42,000	48,000	48,000
Nominal Airflow (CFM)	800	1,000	1,200	1,400	1,400	1,600	1,600
W - Width (in.)	18 1/8	18 1/8	18 1/8	18 1/8	18 1/8	18 1/8	18 1/8
H - Height (in.)	18	18	18	18	25	25	29
D - Depth (in.)	19 1/2	19 1/2	19 1/2	19 1/2	19 1/2	19 1/2	19 1/2
Connection - Liquid Line (in.)	3/8	3/8	3/8	3/8	3/8	3/8	3/8
Connection - Suction Line (in.)	3/4	3/4	3/4	7/8	7/8	7/8	7/8

NOTES:

- Refer to sales specification sheets for Listed/Certified combinations of equipment and required accessories.
- Refer to the current AHRI directory for certified ratings of split systems.

C84QA Coil Specifications



GENERAL TERMS OF LIMITED WARRANTY

Nortek Global HVAC, LLC will furnish a replacement for any part of this product which fails in normal use and service within the terms and conditions of the warranty.

For complete details of the Limited Warranty, including applicable terms and conditions, see your local installer or contact the Nortek Global HVAC, LLC warranty department for a copy.

Before purchasing this appliance, read important energy cost and efficiency information available from your retailer. Specifications and illustrations subject to change without notice and without incurring obligations. Printed in U.S.A (02/23)