



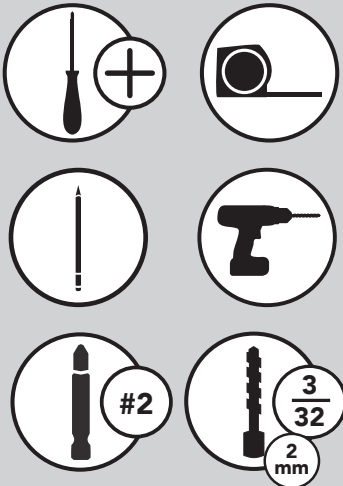
12400 Earl Jones Way
 Louisville, KY 40299
 rev-a-shelf.com
 Customer Service: 800-626-1126



INSTALLATION INSTRUCTIONS

5730/5786 SERIES PULLOUT BASKET WITH SOFT-CLOSE

TOOLS REQUIRED:



ESTIMATED ASSEMBLY TIME:

30 MIN

CARE AND MAINTENANCE:

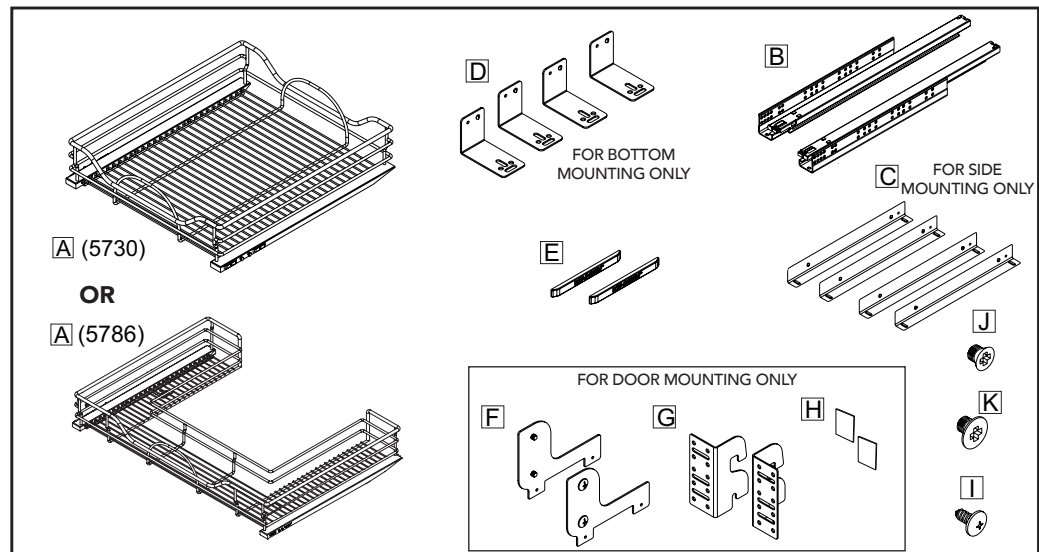
Clean with a damp cloth and wipe parts dry.

INSTALLATION OPTIONS

Bottom page 2
 Side page 4



PART LIST:



(A) Basket, (B) Slide, (C) Side mount bracket, (D) Bottom Mount bracket, (E) Logo cap, (F) Mounting bracket, (G) Door mounting bracket, (H) Double sided tape, (I) Wood screw, (J) Machine screw, (K) Flat Machine screw

STEP 1

Attach bottom-mount brackets to front and rear of each slide. (Fig A)

STEP 2

Place template and pre-drill hole locations. (Fig B)

STEP 3

Attach slides to floor with provided screws. (Fig C)

NOTE

If door mounting, skip to page 6.

STEP 4

Snap the two cover caps to the studs on the front side of the basket. (Fig D)

STEP 5

Place basket on top of slides and push back until the basket locks under the tab at the rear and the button on the side. (Fig E)

NOTE

You should hear the button click when engaged.

Bottom Mounted:

Fig A)

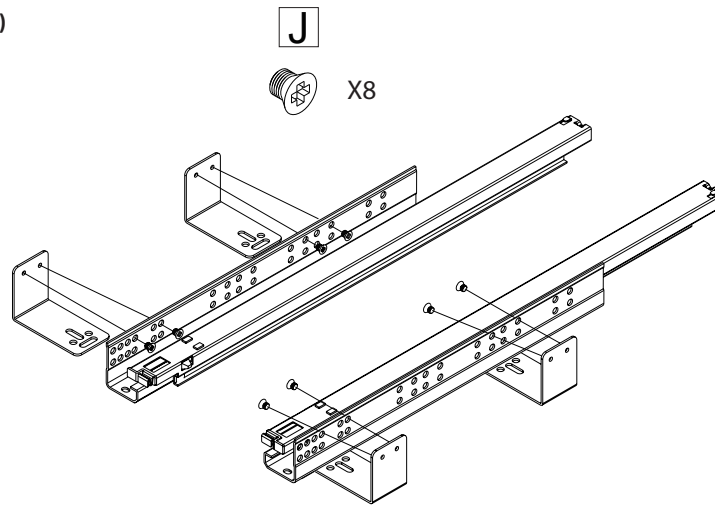


Fig B)

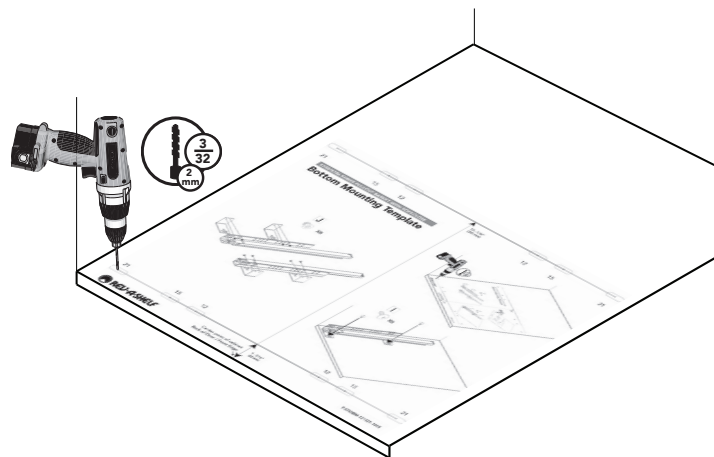


Fig C)

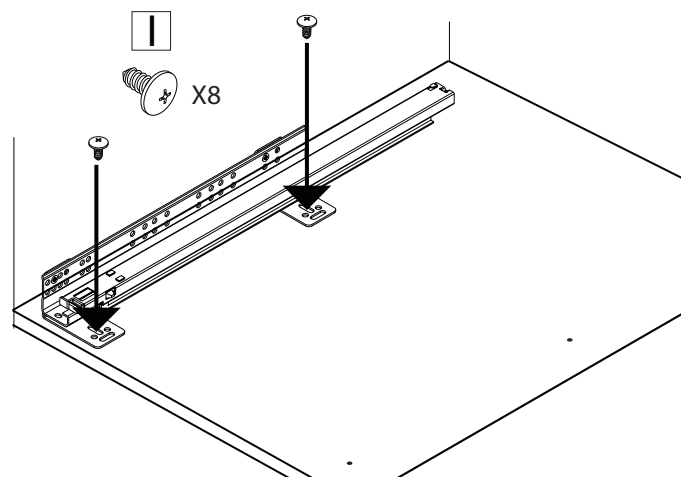


Fig D)

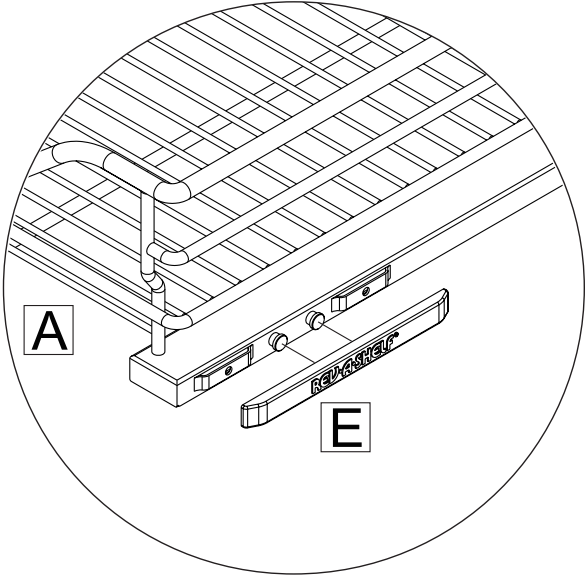
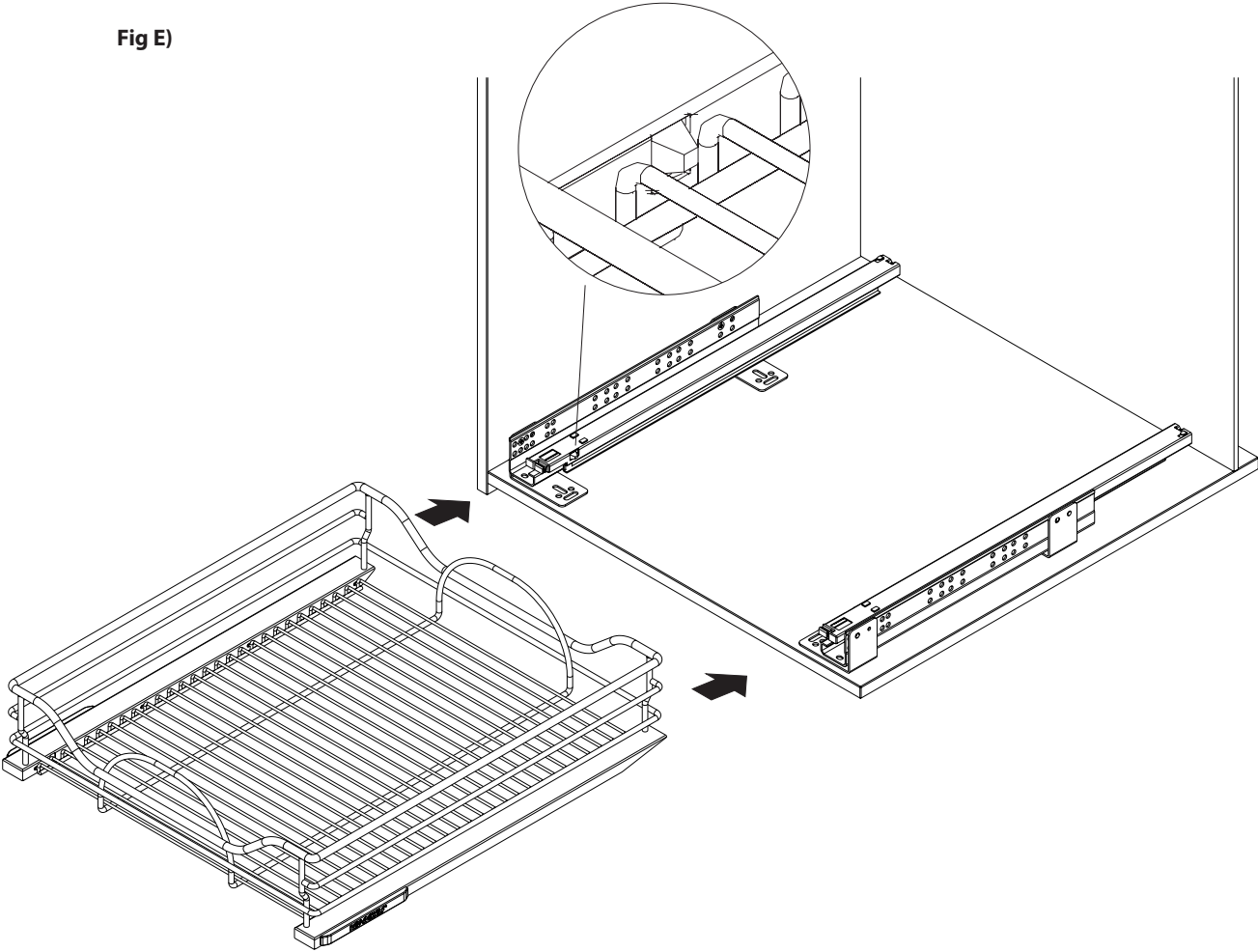


Fig E)



STEP 1

Attach slide half of side-mount bracket to front of slide with two screws per slide. (Fig F)

STEP 2

Use Side Mounting Template to install cabinet half of side-mount bracket. (Fig G)

STEP 3

Place slide assembly on top of cabinet mount bracket, insert screws, adjust to the desired width of basket and tighten screws. Repeat on opposite wall. (Fig H)

NOTE

If door mounting, skip to page 6.

STEP 4

Snap two cover caps to the studs on the front side of the basket. (Fig I)

STEP 5

Place basket on top of slides and push back until the basket locks under the tab at the rear and the button on the side. (Fig J)

NOTE

You should hear the button click when engaged.

Side Mounted:

Fig F)

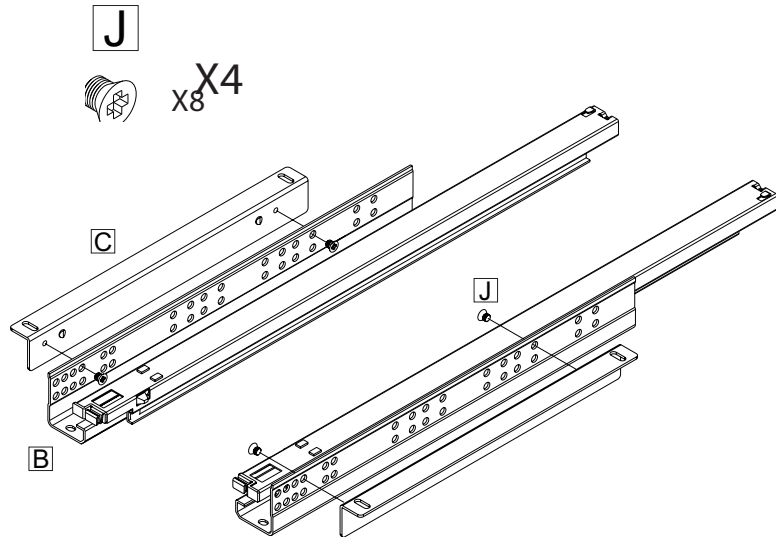


Fig G)

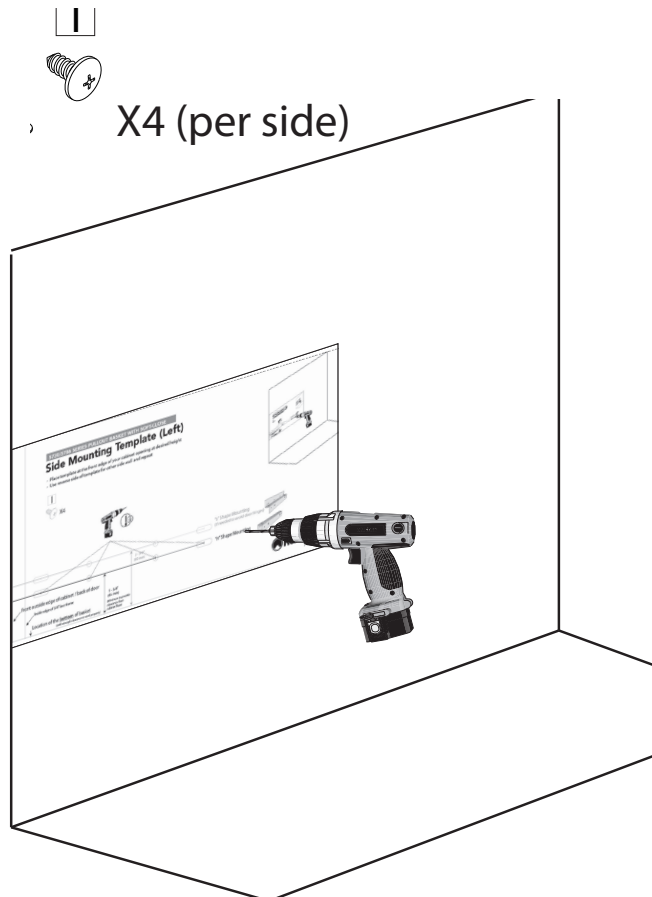


Fig H)

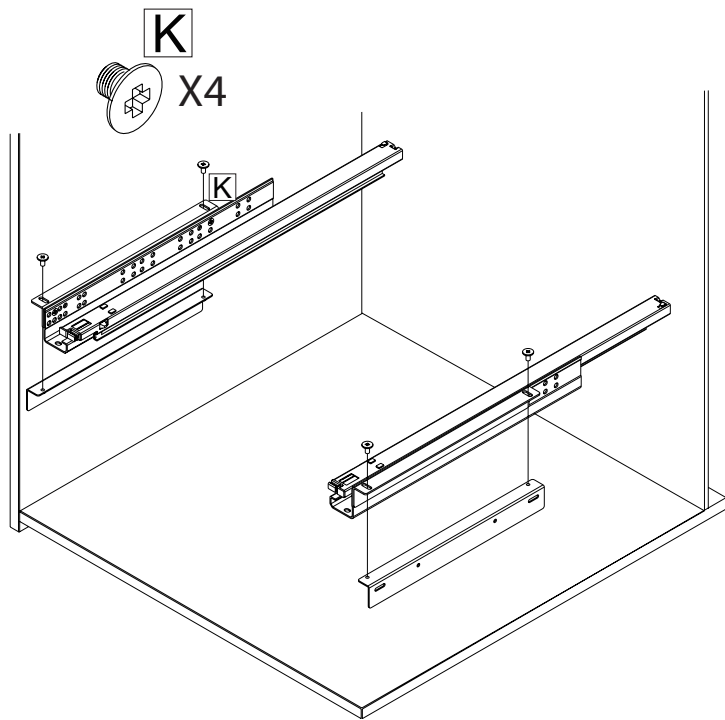


Fig I)

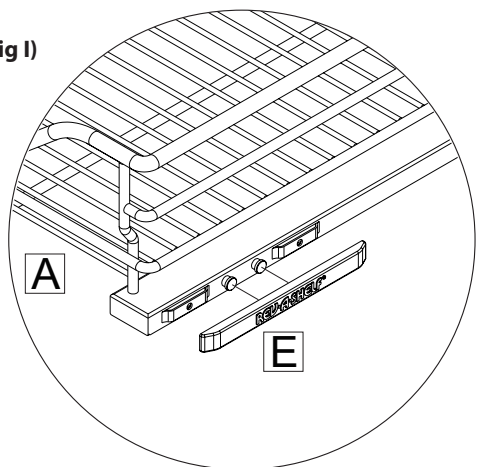
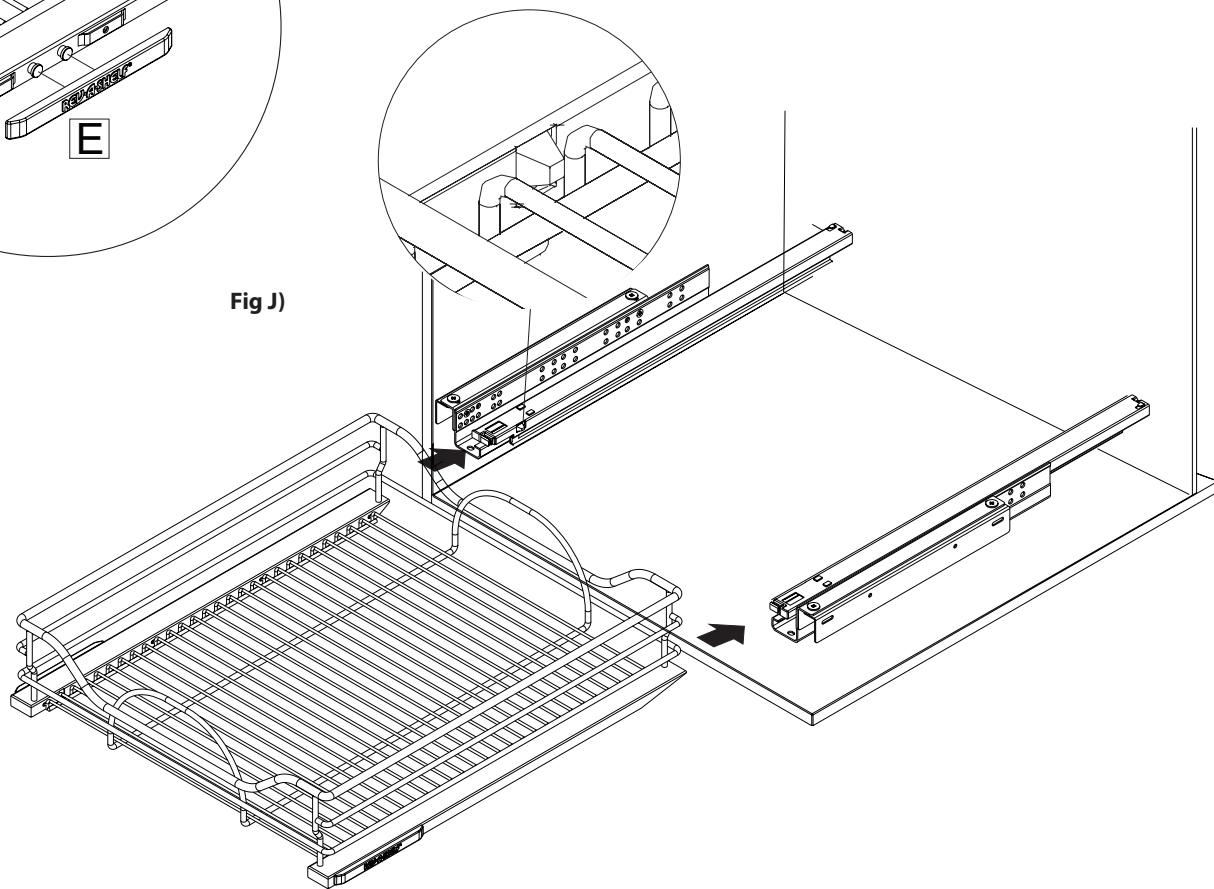


Fig J)



Door Mounting

STEP 1

Snap two logo caps to the studs on the front side of the basket.
(Fig I)

STEP 2

Attach Mounting Bracket to slide with two screws per slide.

Insert Door Mounting Bracket between screws and Mounting Bracket. Tighten screws. Repeat for opposite side. (Fig J)

NOTE

Door Mounting Bracket should face towards outside of basket.

STEP 3

Place basket on top of slides and push back until the basket locks under the tab at the rear and the button on the side (Fig K)

NOTE

You should here the button click when engaged.

STEP 4

Using Door Mounting Guidance on page 8 to mount to door using four wood screws per bracket into door.

You may also apply double stick tape to the Door Mounting Brackets. Align cabinet door to surrounding doors/drawers and press against brackets. (Fig L)

Slowly pull unit open and install four screws per bracket into door.

Fig I)

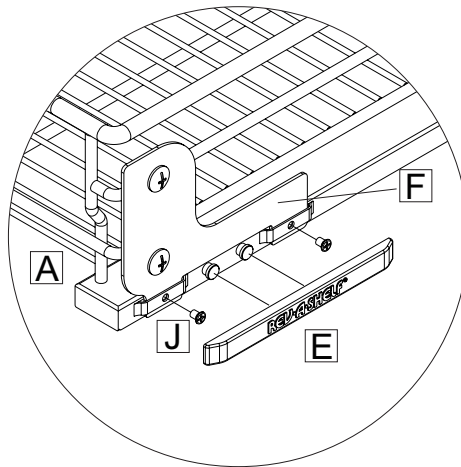


Fig J)

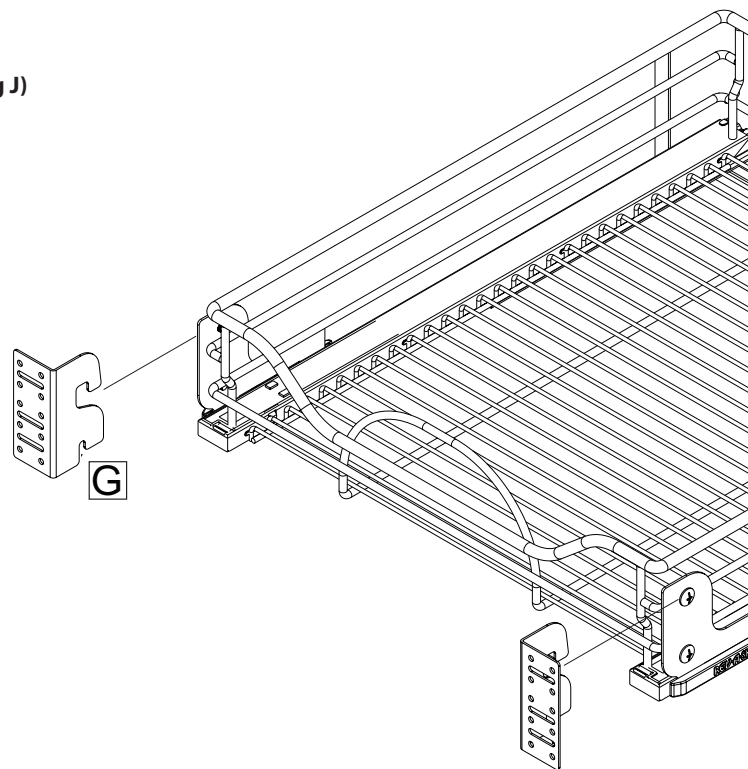


Fig K)

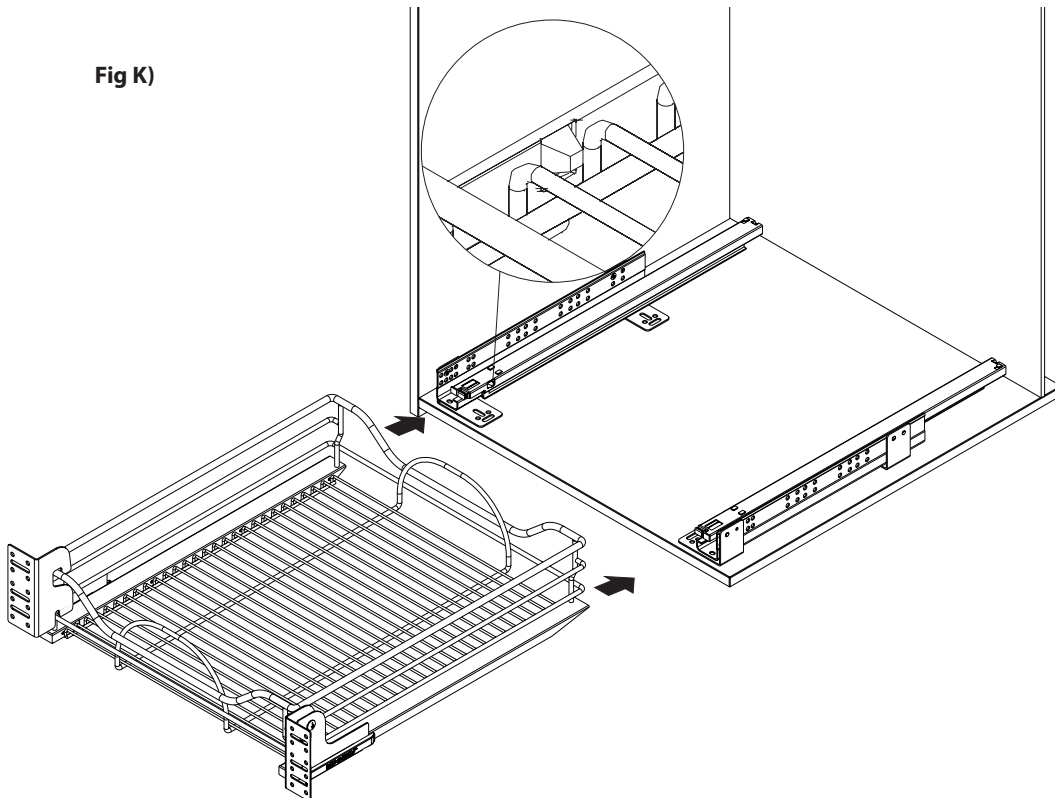
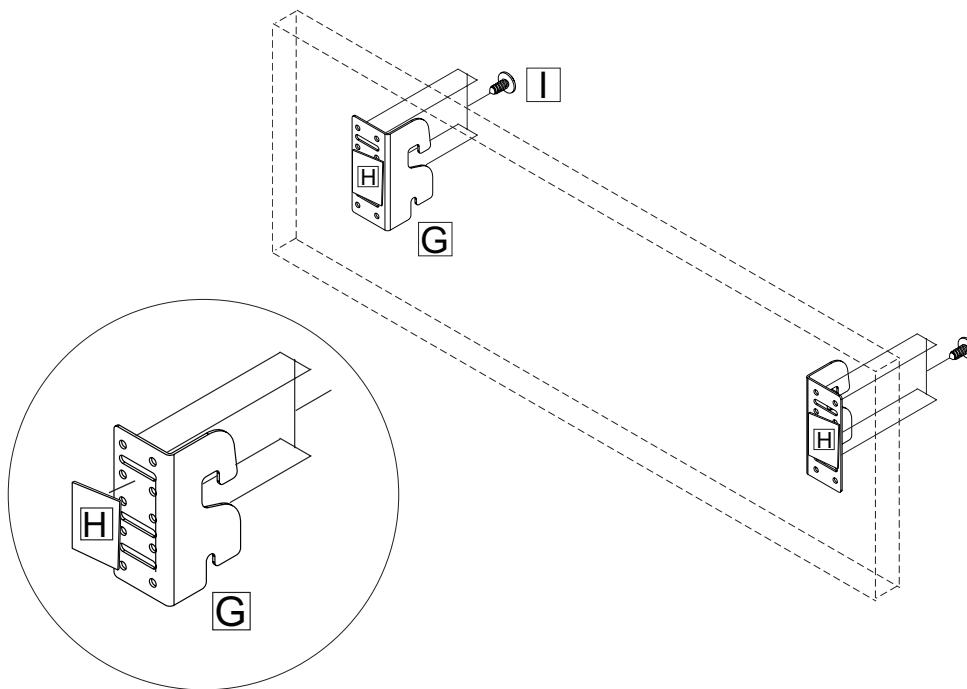


Fig L)



Door Mounting Guidance

This door mounting brackets provide a lot of adjustability and mounting to the slotted holes adds additional horizontal adjustability. We recommend to take the dimensions from the bottom of the drawer slide and calculate the hole locations on your drawer front. Don't forget to compensate for door overlays, or door insets. Make sure to mount to the thick portion of your cabinet door. Double sided tape is included to help you get close. Finite adjustments can be made through the door mounting bracket adjustments

