



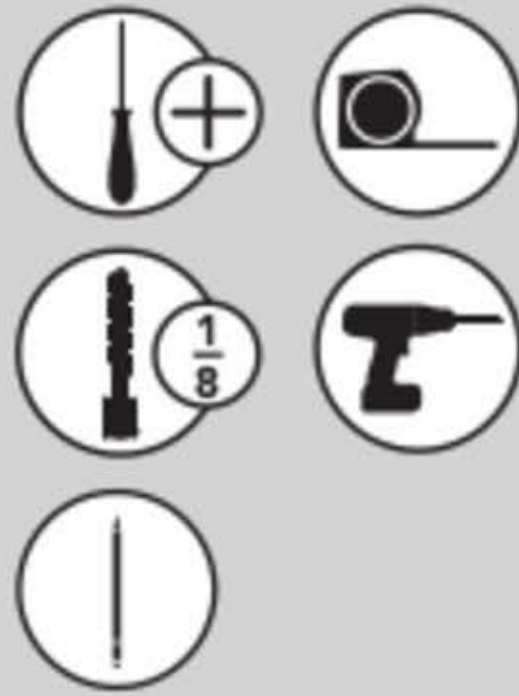
12400 Earl Jones Way
Louisville, KY 40299
rev-a-shelf.com
Customer Service: 800-626-1126



INSTALLATION INSTRUCTIONS

RV-SERIES DOUBLE 27 & 35 QT. WASTE CONTAINER PULLOUTS

TOOLS REQUIRED:



ESTIMATED ASSEMBLY TIME:

10-15 MIN

CARE AND MAINTENANCE:

Clean with a damp cloth and wipe parts dry.

STEP 1

Remove the waste container frame from plastic packaging.

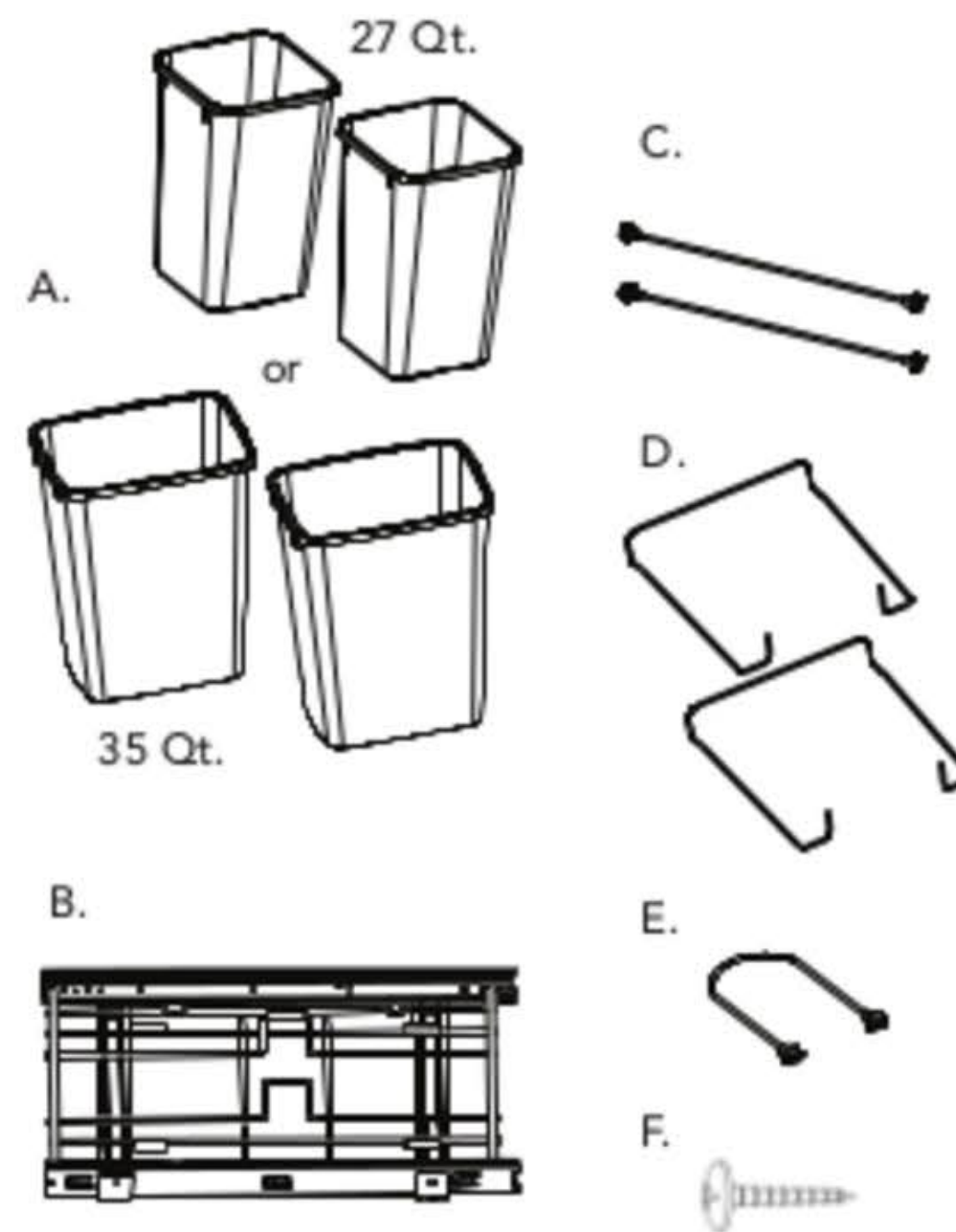
STEP 2

Place the wire frame on a flat surface and attach wire uprights in the appropriate holes in the frame (See Figure A).

STEP 3

Once both uprights are firmly in place, attach both cross members to uprights (See Figure B).

NOTE: Plastic clips should be on the inside of the frame.



Parts List		
No.	Description	Qty
A	27 or 35 Qt. Waste Containers	2
B	Frame	1
C	Braces	2
D	Basket Wires	2
E	Handle	1
F	#8 x 3/4" Truss Head Screws	4

