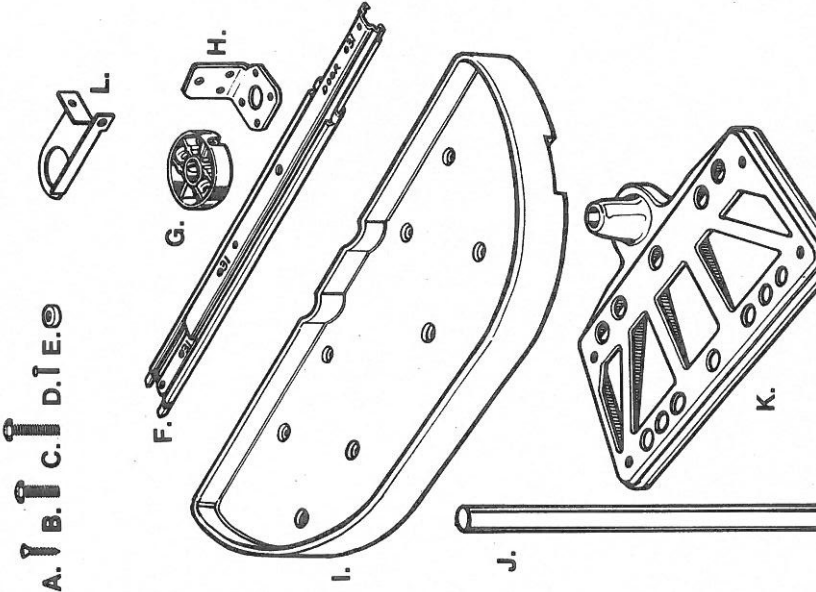


REV-A-SHELF®

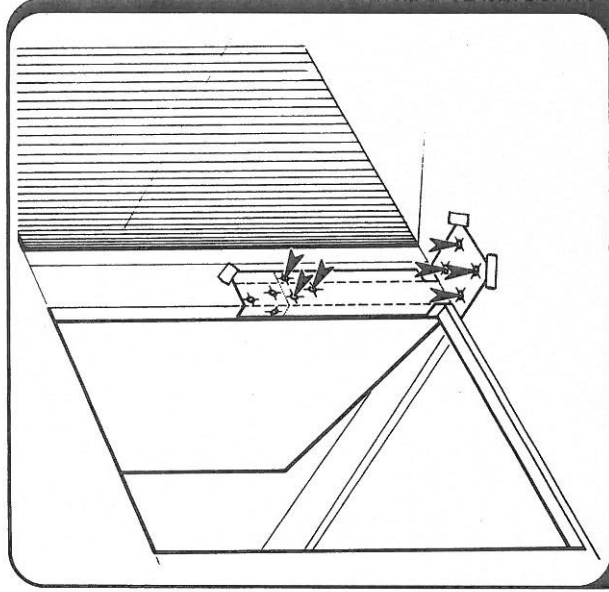
31" HALF MOON (BLIND CORNER) INSTRUCTIONS (Left Side Illustration Only)

IMPORTANT: Before you begin, familiarize yourself with the kit contents, identify all parts, read through all instruction information and have the necessary tools on hand to get started.

CUSTOMER SERVICE: Toll Free Consumer Help Line for your product questions during the weekday business hours: **800-626-1126**

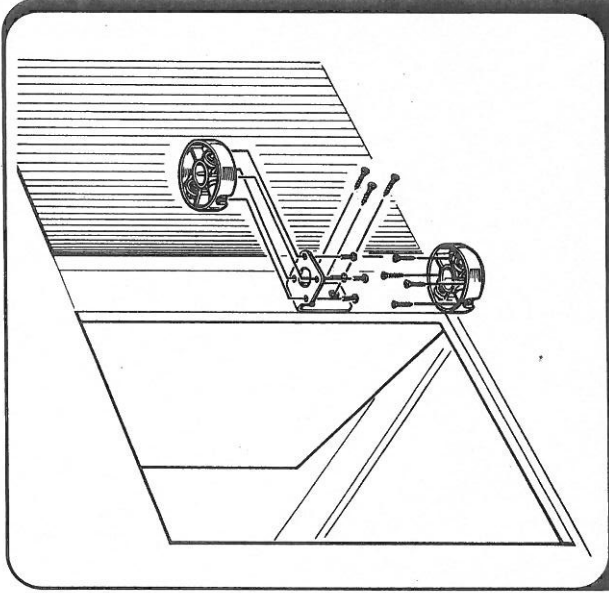


13 1/4" minimum cabinet opening w/ standard



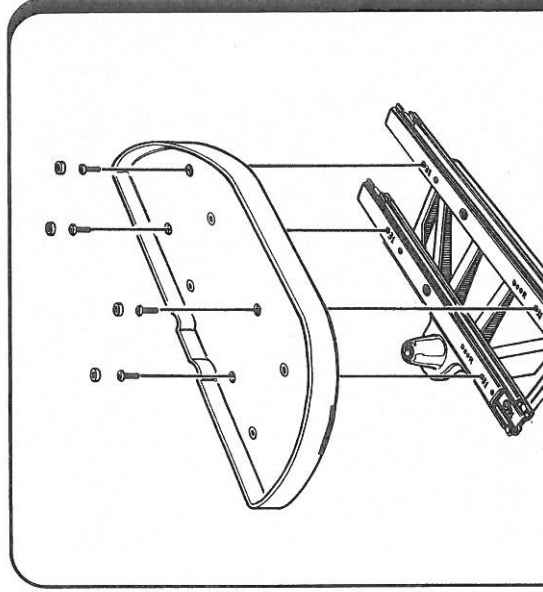
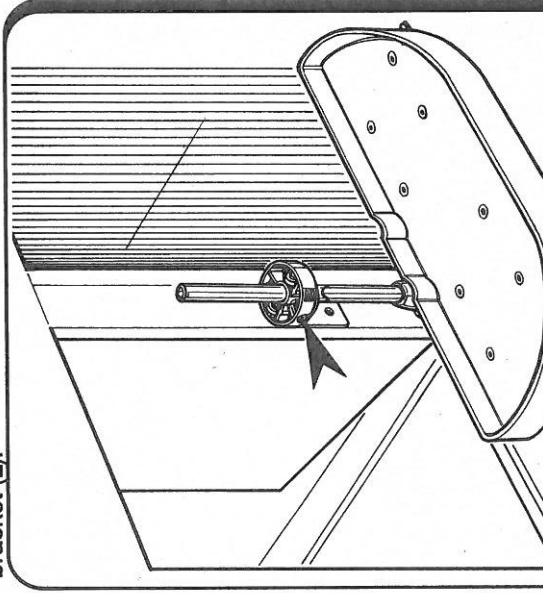
STEP 1

Position and tape template on inside of the face frame vertically (hinge side) as shown in illustration. Using a 1/16" diameter bit, drill 5/8" deep pilot holes through the template at the 7 arrow locations shown. **NOTE:** If installing Rev-A-Tray (single tray) note hole locations on template.



STEP 2

Match positioner base over 4 base holes as shown and install to cabinet bottom using four (4) #8 x 3/4" oval head Phillips wood screws. Match support bracket over 3 remaining pilot holes as shown and install it to cabinet frame using three (3) #8 x 3/4" oval head Phillips wood screws. Now match the other positioner base over the 4 support bracket four (4) #10 x 1/2" machine screws **NOTE:** Lock down screw on positioner base assembly toward opening. **NOTE:** For Rev-A-Tray use bracket (L).



Place slide toward door opening. Match bottom holes of the using two machine screws

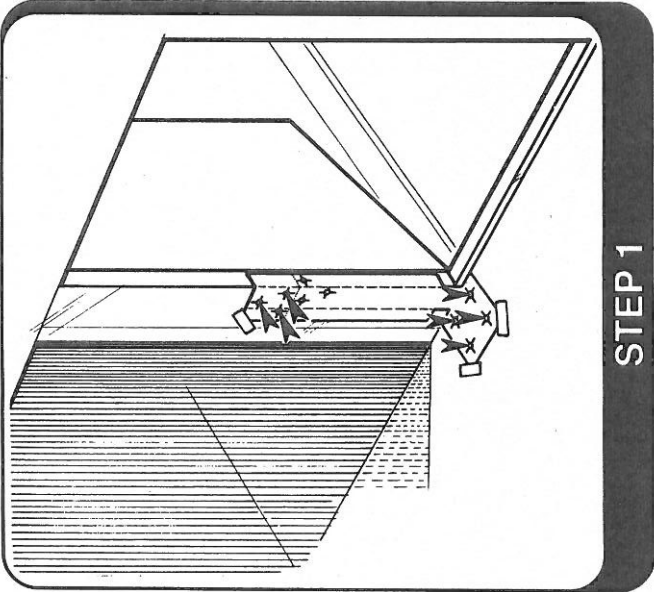
RED·A·SHELF®

31" HALF MOON (BLIND CORNER) INSTRUCTIONS (Right Side Illustration Only)

IMPORTANT: Before you begin, familiarize yourself with the kit contents, identify all parts, read through all instruction information and have the necessary tools on hand to get started.

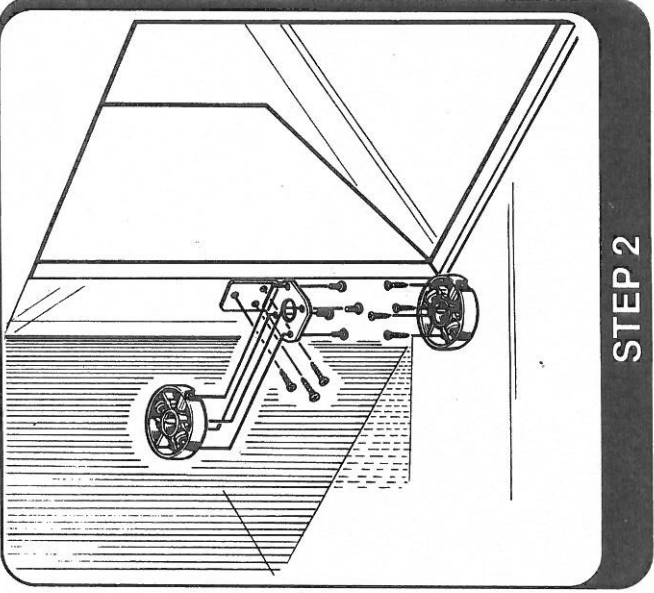
CUSTOMER SERVICE: Toll Free Consumer Help Line for your product questions during the weekday business hours: **800-626-1126**

13 1/4" minimum cabinet opening w/ standard



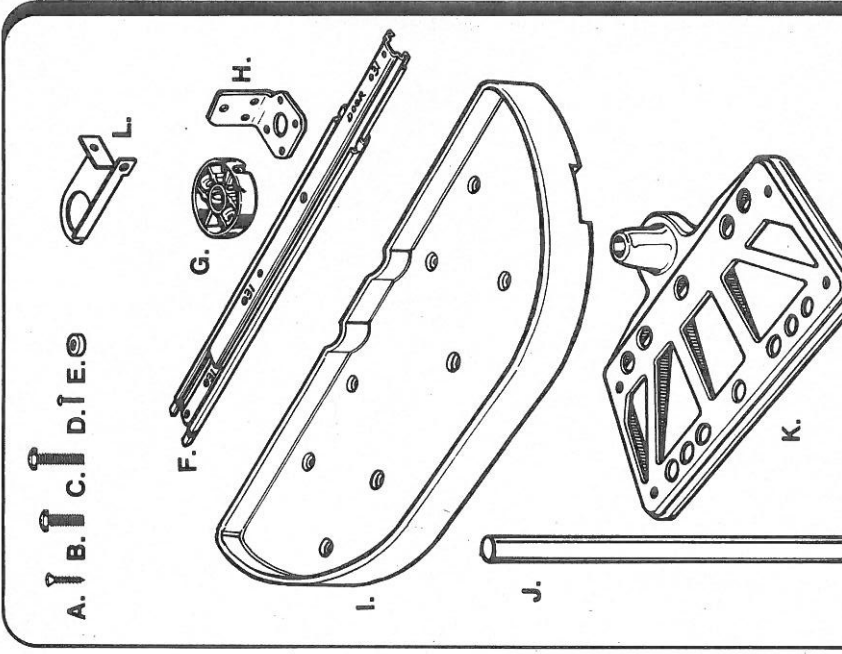
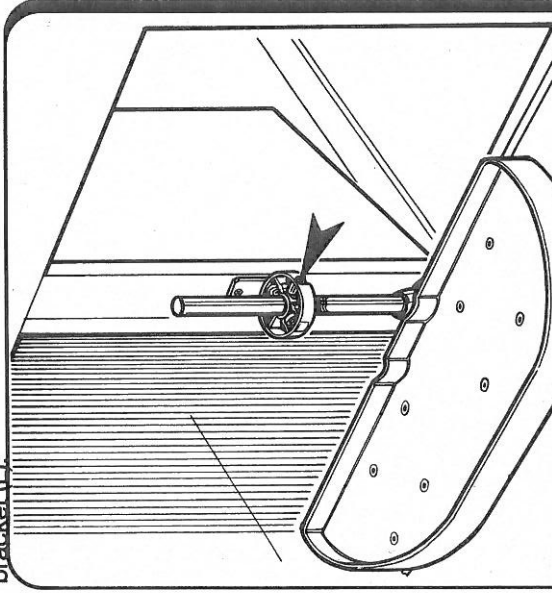
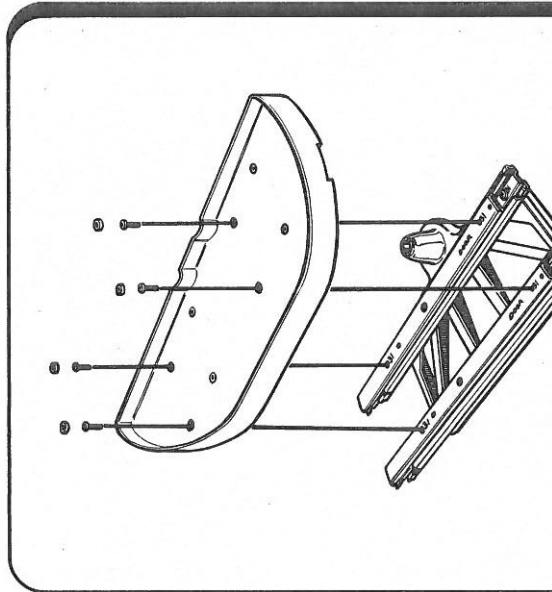
STEP 1

Position and tape template on inside of the face frame vertically (hinge side) as shown in illustration. Using a 1/16" diameter bit, drill 5/8" deep pilot holes through the template at the 7 arrow locations shown. **NOTE:** If installing Rev-A-Tray (single tray) note hole locations on template.



STEP 2

Match positioner base over 4 base holes as shown and install to cabinet bottom using four (4) #8 x 3/4" oval head Phillips wood screws. Match support bracket over 3 remaining pilot holes as shown and install it to cabinet frame using three (3) #8 x 3/4" oval head Phillips wood screws. Now match the other positioner base over the 4 support bracket four (4) #10 x 1/2" machine screws **NOTE:** Lock down screw on positioner base assembly toward opening. **NOTE:** For Rev-A-Tray use bracket (L).



Place slide toward do opening. Match bot holes of the using two machine s