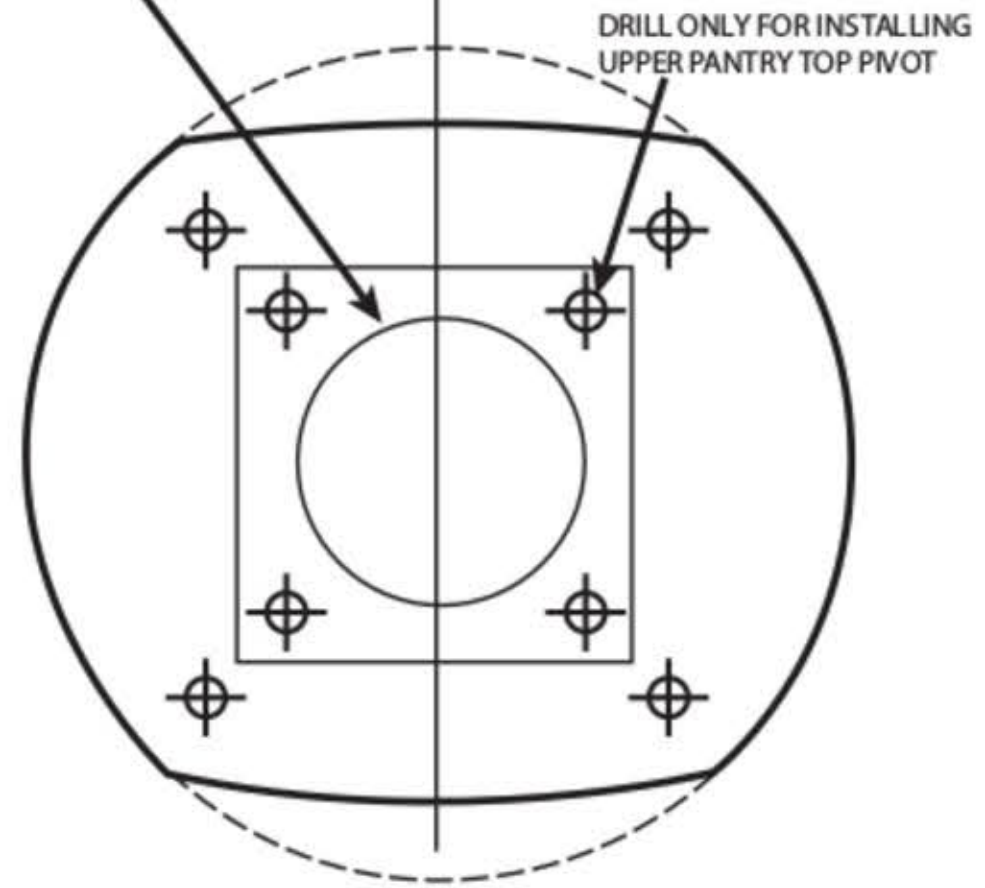
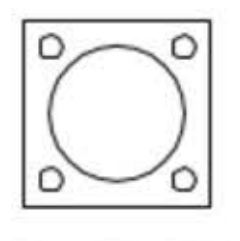
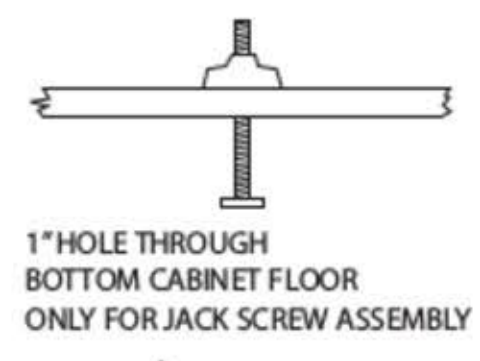
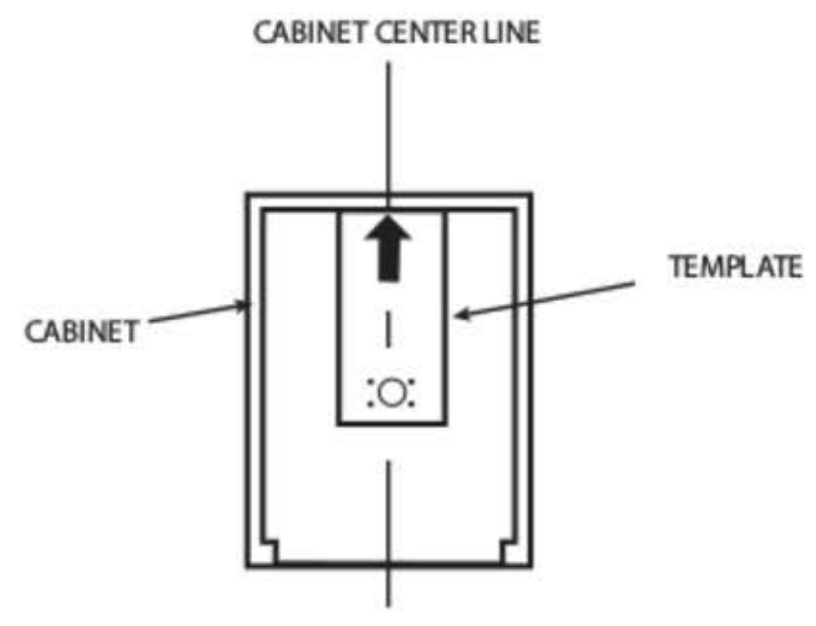


1. Mark center line of cabinet.
2. Place template on center line of cabinet and butt edge of template against back of cabinet (arrow pointing towards back).
3. Mark and drill mounting holes, using 1/8 diameter drill or equivalent.
4. Repeat for upper mounting bracket.



Note: Locations given provides proper clearance from back of cabinet.



2409 Plantside Dr.
Jeffersontown, KY 40299
(800) 626-1126
www.rev-a-shelf.com

T-6260-TRI-0614