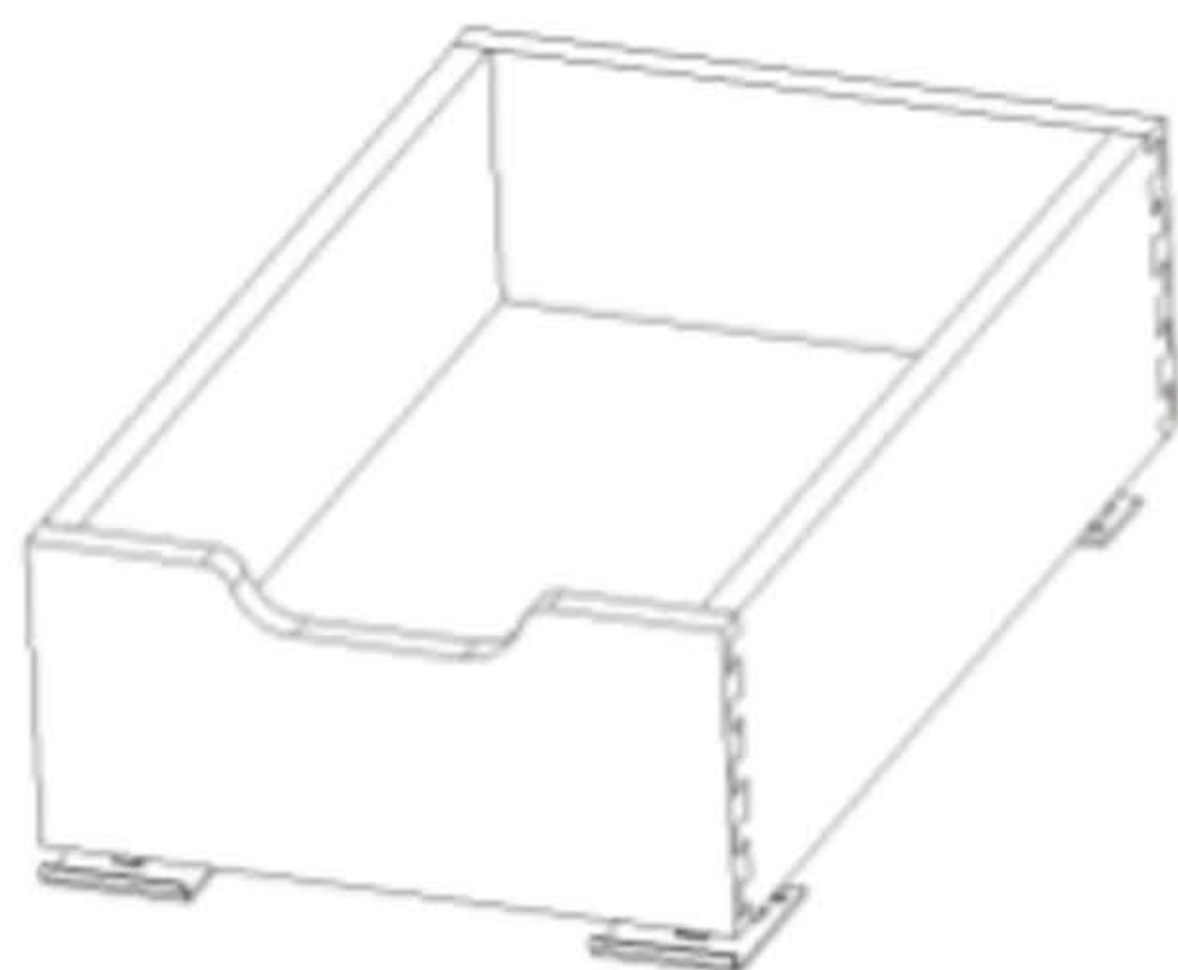


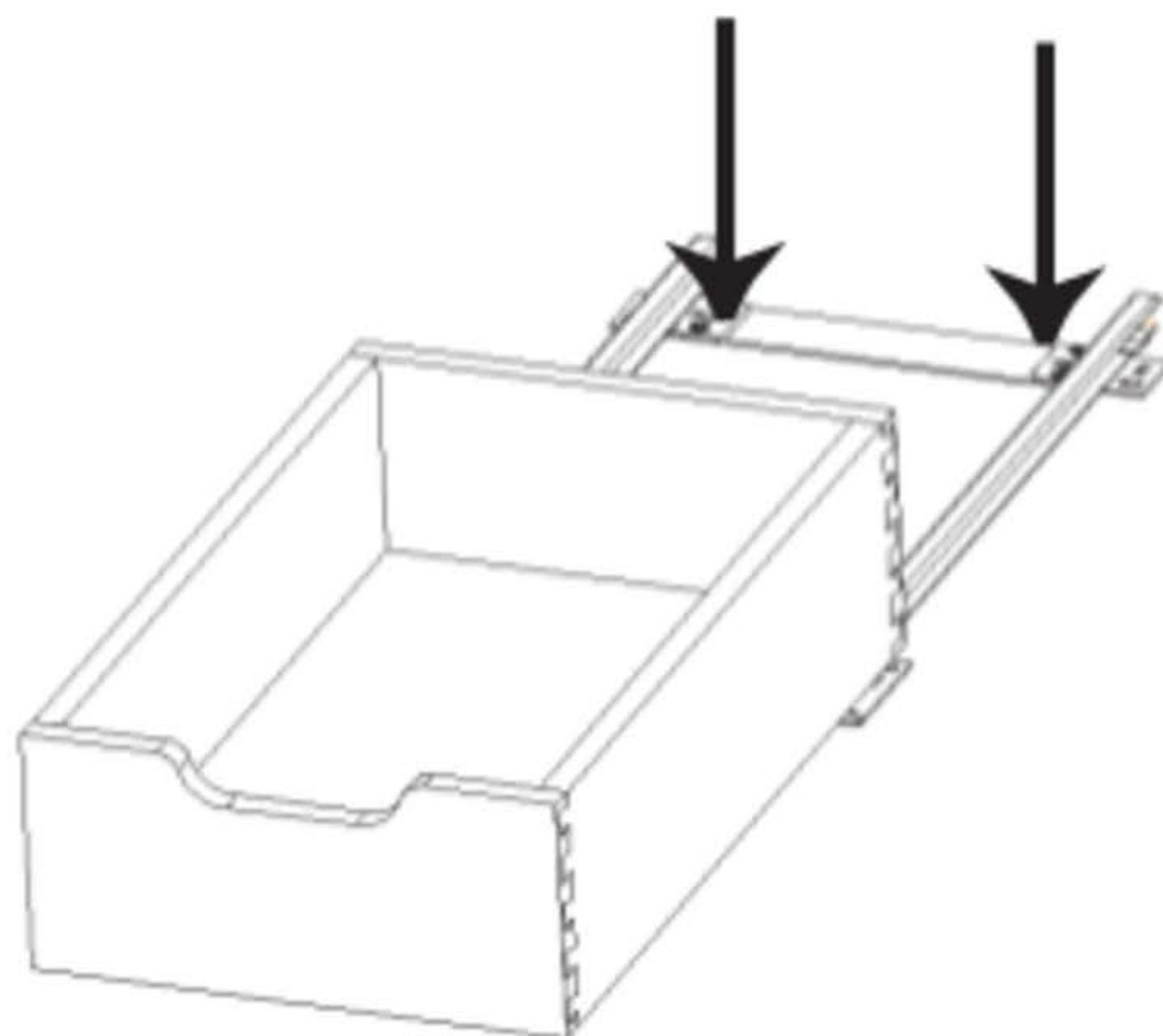


For help call our Customer Service Specialist at 800-626-1126

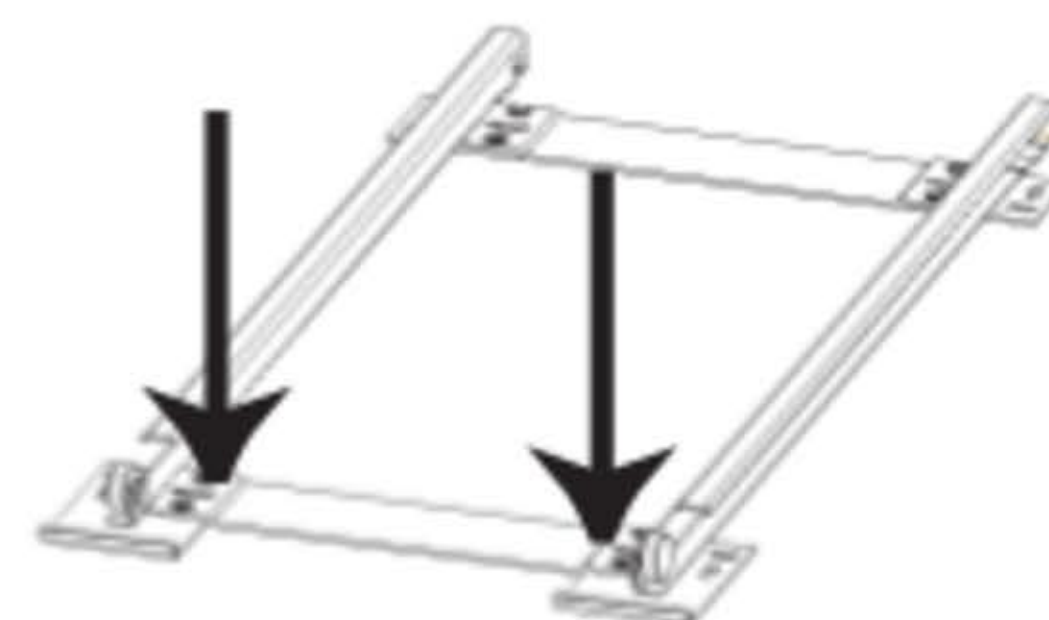
12400 Earl Jones Way
Louisville, KY 40299
www.rev-a-shelf.com



Step 1. Place entire unit into cabinet at desired location. Make sure adequate space is available for door closing, etc.



Step 2. Slide drawer out half way to allow for installation of rear screws into cabinet floor.



Step 3. Slide drawer out completely and lift drawer out of slide structure.

Step 4. Install front slides to cabinet floor with provided screws

I-4W58