



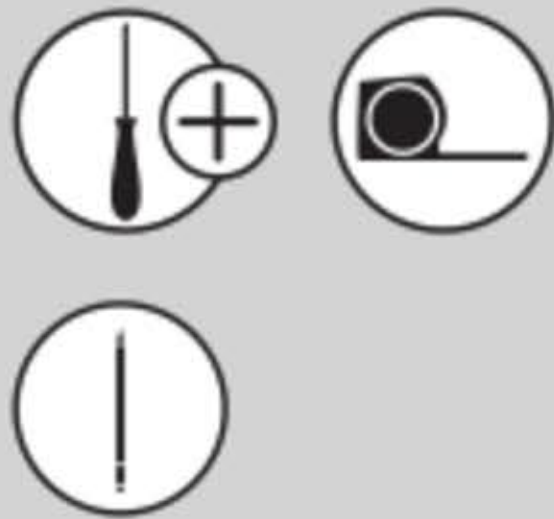
12400 Earl Jones Way
Louisville, KY 40299
rev-a-shelf.com
Customer Service: 800-626-1126



INSTALLATION INSTRUCTIONS

TOP MOUNT WASTE CONTAINER PULLOUT

TOOLS REQUIRED:



ESTIMATED ASSEMBLY TIME:

20 MIN

CARE AND MAINTENANCE:

Clean with a damp cloth and wipe parts dry.

STEP 1

Remove wood frame from slides. Pull frame out until slides are fully extended, press black release lever found in the middle of the slide, and firmly pull frame completely away from the slides (See Figure A).

STEP 2

Attach the slides to the cabinet side walls. Using measurements from Figure B, lay slides flush with the front of the cabinet and attach using #8 x 5/8" pan head screws.



PARTS LIST

No.	Description	QTY.
1	Wood Frame w/ Slides & Door Mount Brackets	1
2	Waste Container(s)	1 or 2 (depending on unit purchased)
3	Rear Plastic Bin	1 (not included on all units)
4	#6 x 1/2" Flat Head Screws	6
5	#8 x 5/8" Flat Head Screws	6
6	#8 x 5/8" Pan Head Screws	10
7	Double Stick Tape	2

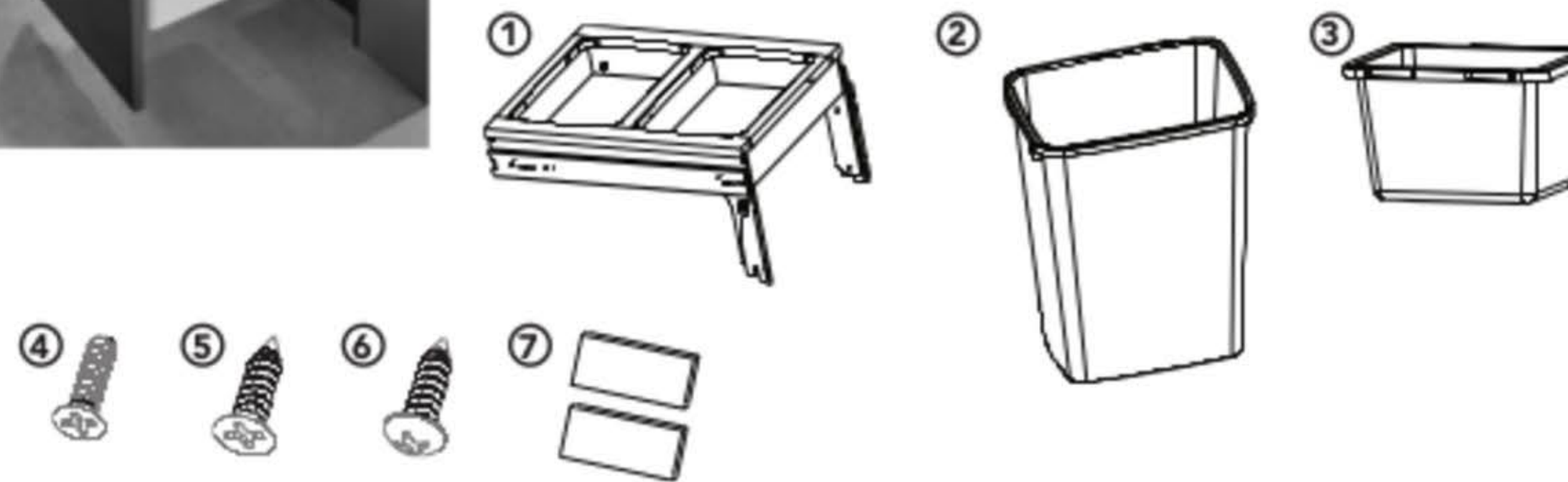


Figure A

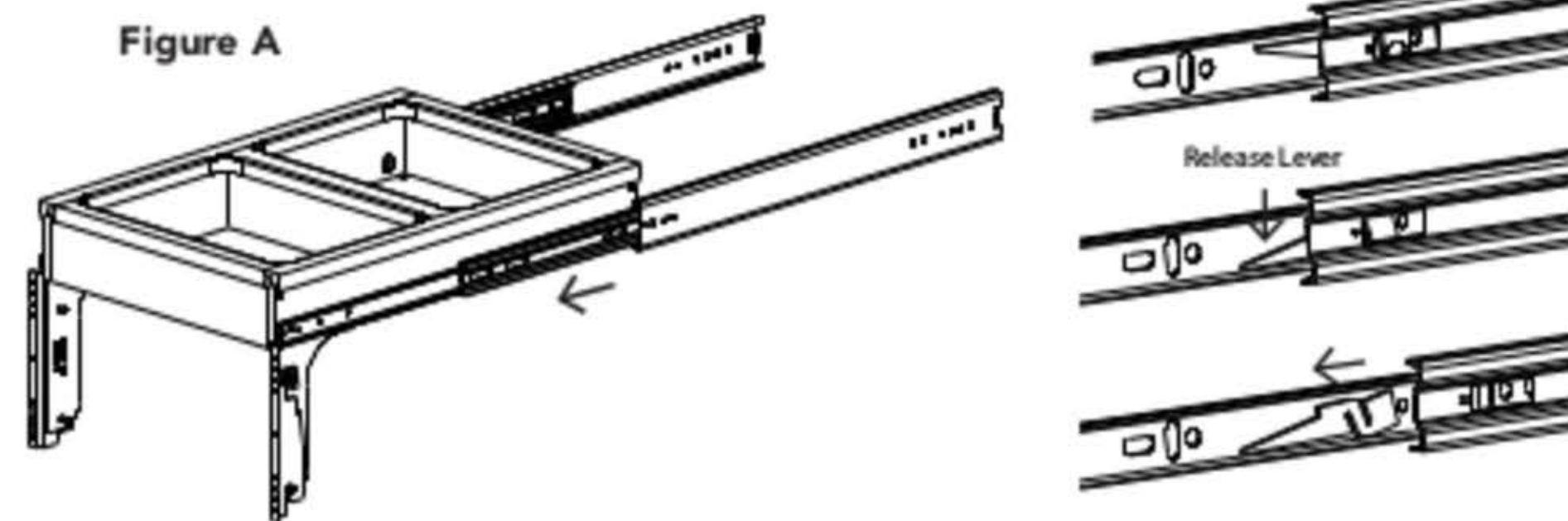


Figure B

