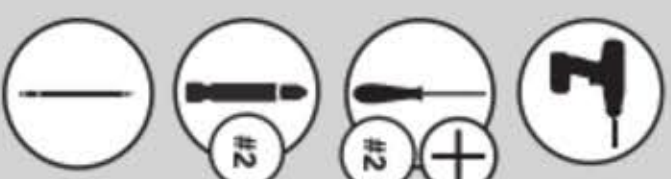


INSTALLATION INSTRUCTIONS

RV814 SERIES PULLOUT WASTE CONTAINER

TOOLS REQUIRED:

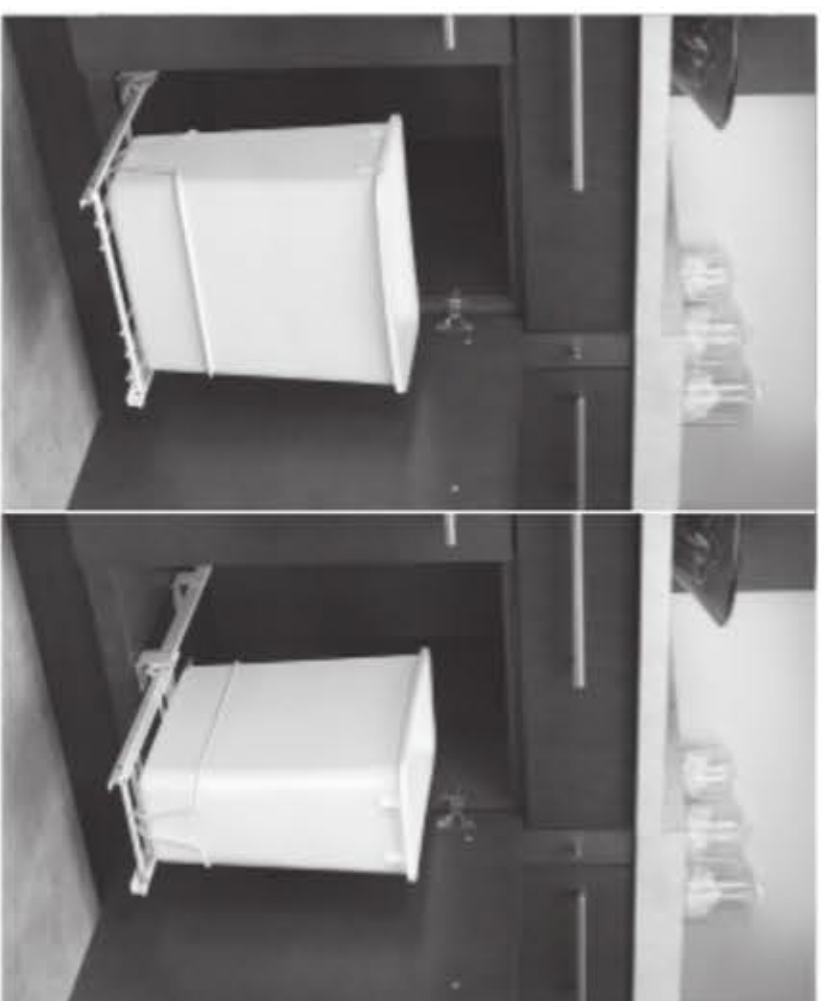


ESTIMATED ASSEMBLY TIME:

15 MIN

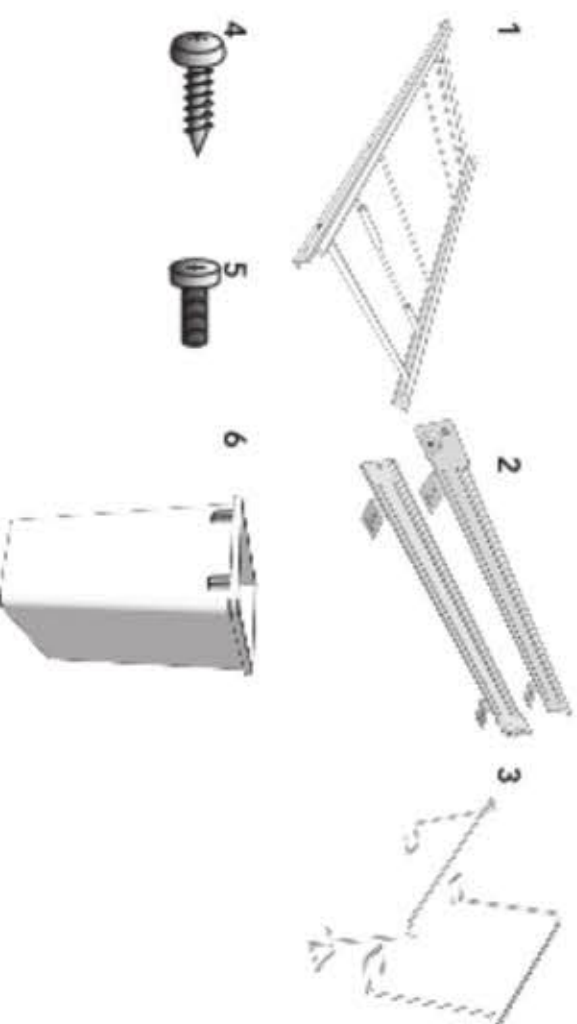
CARE AND MAINTENANCE:

Clean with a damp cloth and wipe parts dry.



Parts List

No.	Description	Qty
1	Frame	1
2	Slide	2
3	Upright	2
4	Floor Screws	4
5	Machine Screws	4
6	Waste Container	1



INSTALLATION INSTRUCTIONS: RV814 SERIES PULLOUT WASTE CONTAINER | IAN814-017

INSTALLING THE ROTATED VERSION

STEP 6

Remove the wire ties from the frame. Locate the frame support machine screws on both sides of the frame and remove them (See Fig 6).



STEP 7

Rotate the inner bracket piece 90° (See Fig 7A) as well as flip up the uprights (See Fig 7B). Reattach the frame with the same 4 machine screws you removed in Step 6. Refer to Figure 7C for the new screw locations.



STEP 8

Place the frame into the cabinet and center the frame to the center of the cabinet opening (See Fig 8). The frame should be at least 1/2" from the opening to ensure the cabinet door will be able to fully close. For inset doors, add the thickness of the door to the 1/2" recommendation.



STEP 9

Mark through the 4 horizontally slotted holes with a pencil (See Fig 9).



STEP 10

Attach the 4 floor screws using the hole locations marked in Step 9.

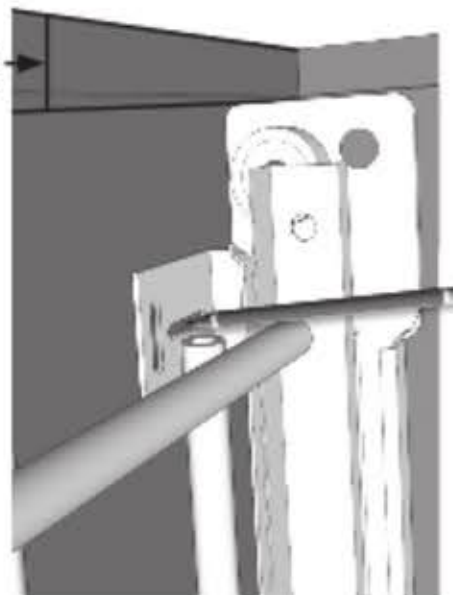


FIGURE 9

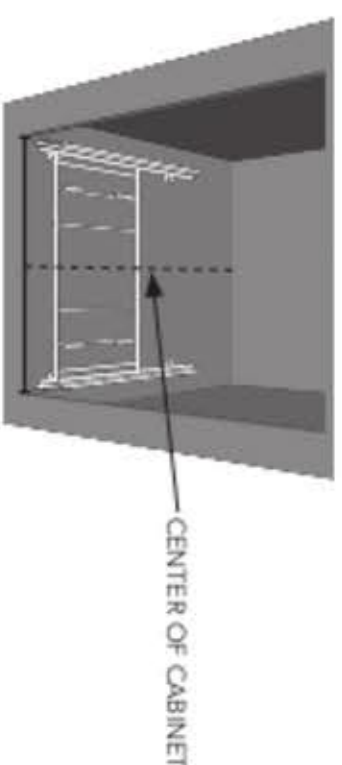


FIGURE 8

CENTER OF CABINET

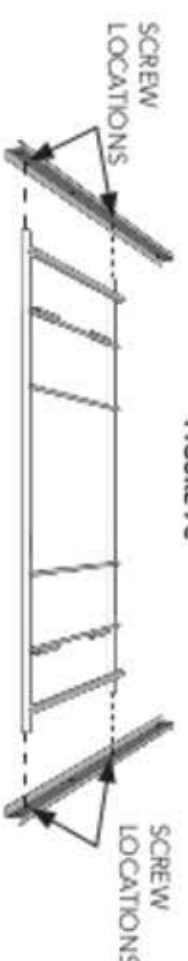


FIGURE 7C

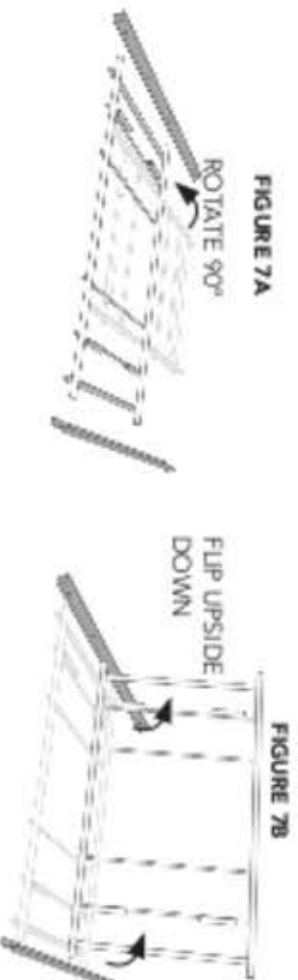


FIGURE 7A

FIGURE 7B

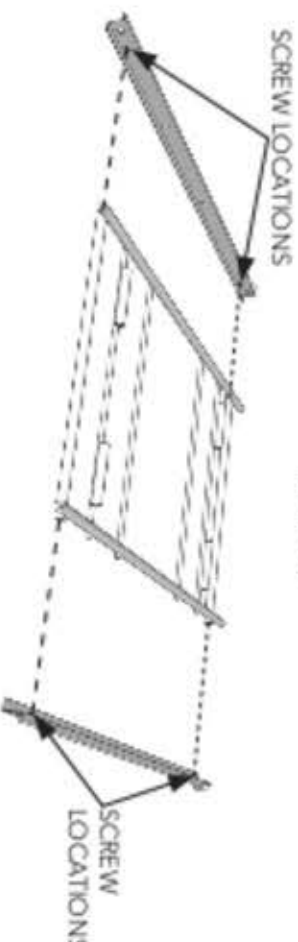


FIGURE 6

DETERMINE YOUR APPLICATION

STEP 1

Determine the position you would like to install your waste container by making sure that no obstruction will interfere with the unit (See Fig 1).

NOTE: If the current configuration is not desired then proceed to step 6 to install the rotated version

STEP 2

Place the frame into the cabinet and center the frame to the center of the cabinet opening (See Fig 2). The frame should be at least 1/2" from the opening to ensure the cabinet door will be able to fully close. For inset doors, add the thickness of the door to the 1/2" recommendation.

STEP 3

Mark through the 4 horizontally slotted holes with a pencil (See Fig 3).



STEP 4

Attach the 4 floor screws using the hole locations marked in Step 3.



STEP 5

Remove wire ties from frame.

NOTE: At this time, flip to Step 11 and proceed with your installation.

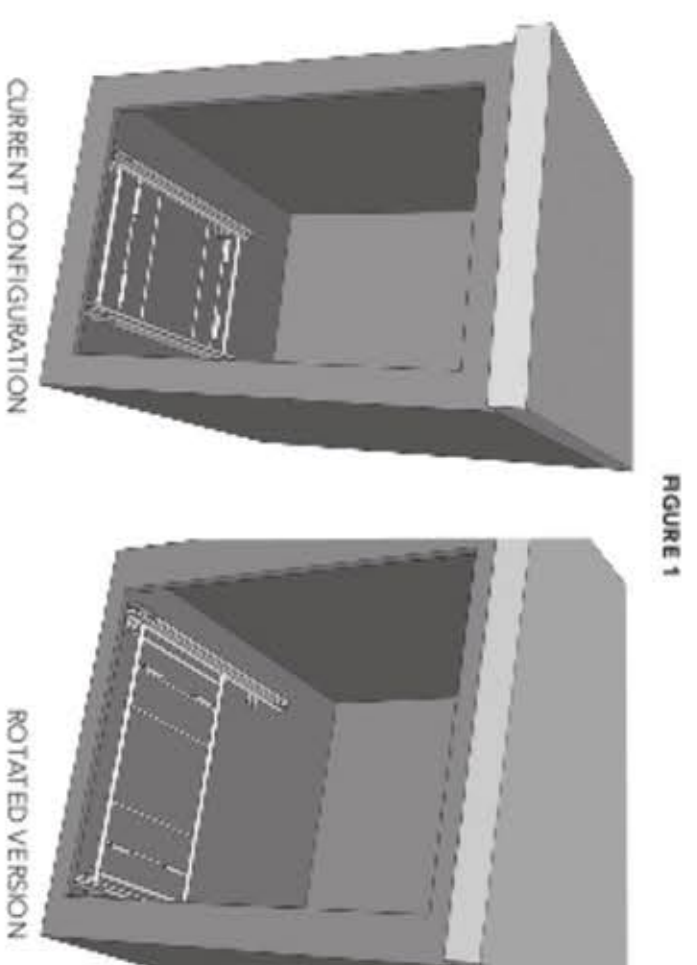


FIGURE 1

CURRENT CONFIGURATION

ROTATED VERSION

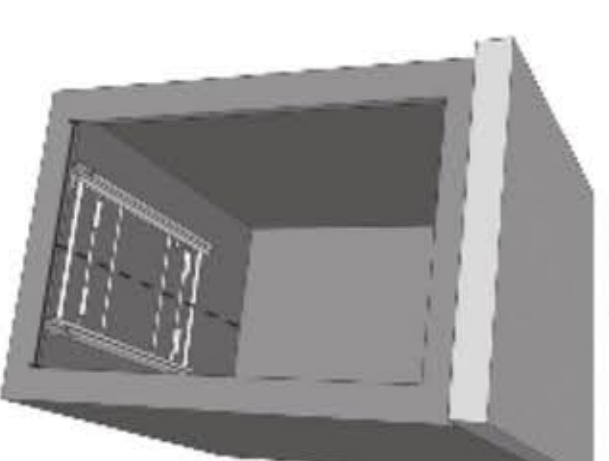


FIGURE 2

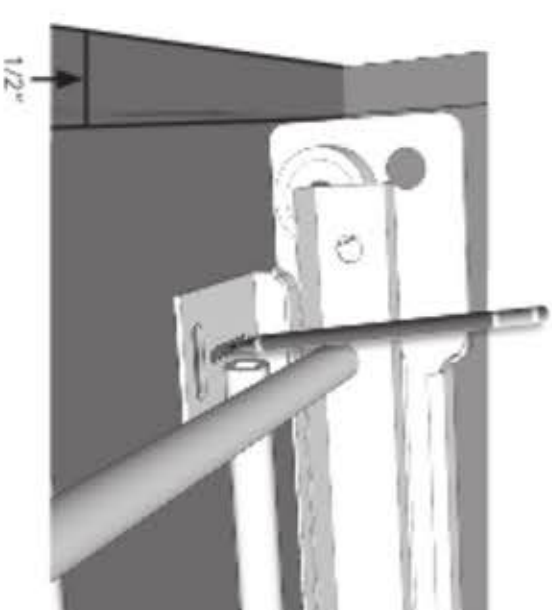


FIGURE 3

INSTALLING THE UPRIGHTS

STEP 11

Insert both uprights into their corresponding slots from the interior side of the frame first as shown in Figure 11.

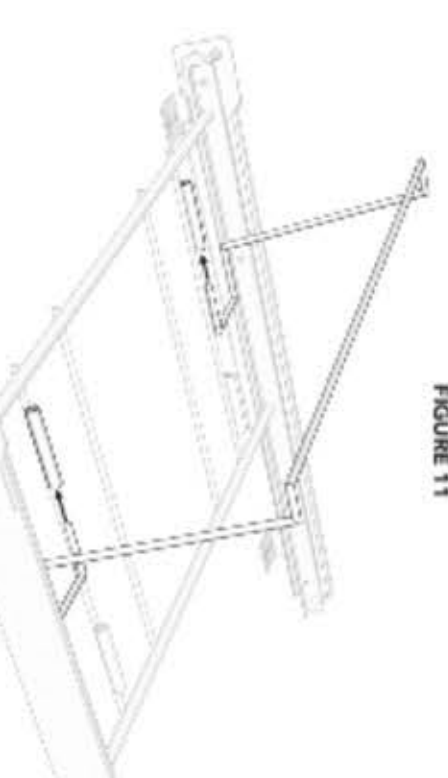


FIGURE 11

PLACE YOUR WASTE CONTAINER

STEP 12

Place your waste container in between the uprights.