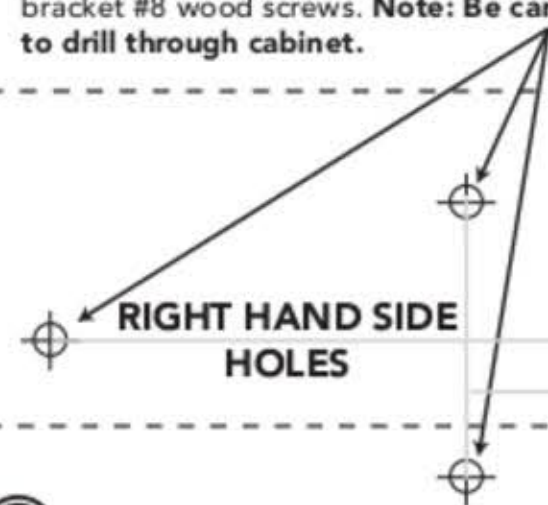
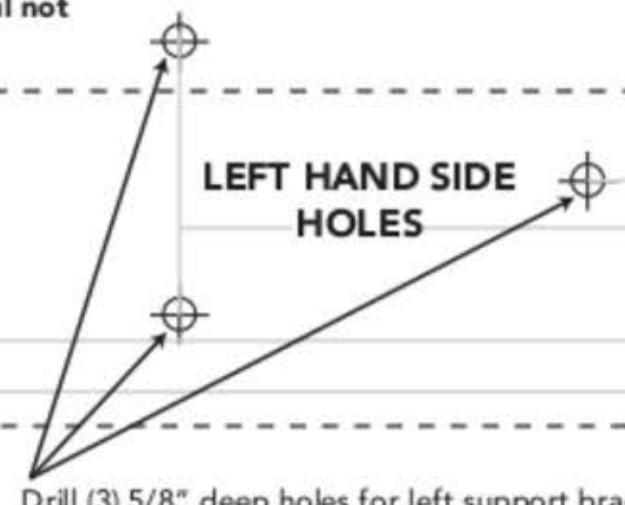


Reference Scale 0" | 1" | 2" | 3" | 4" | 5" | 6" | 7" | 8" | 9" | 10"

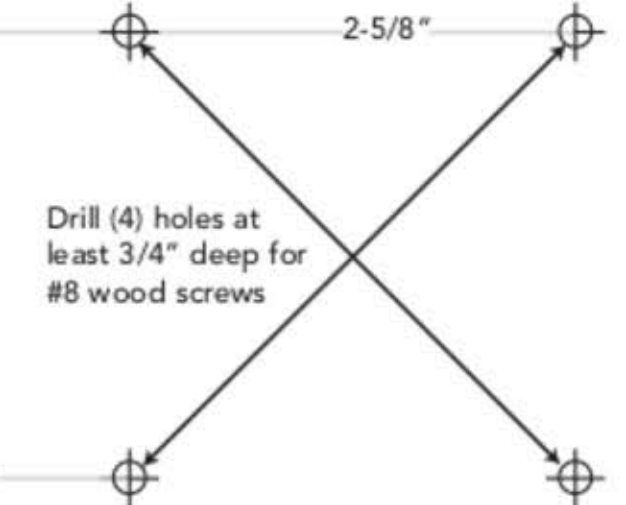
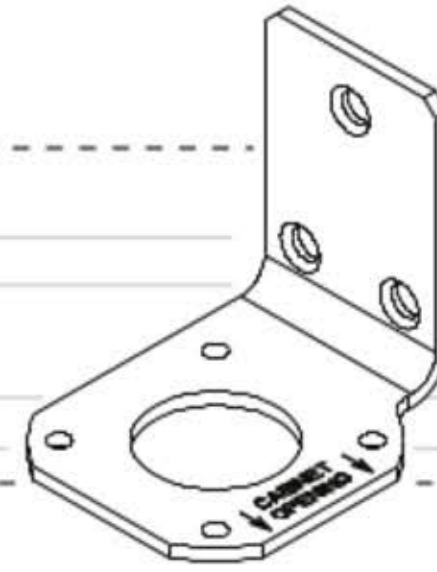
Drill (3) 5/8" deep holes for right support bracket #8 wood screws. **Note: Be careful not to drill through cabinet.**



**LEFT HAND SIDE HOLES**



Drill (3) 5/8" deep holes for left support bracket #8 wood screws. **Note: Be careful not to drill through cabinet.**



**Base of cabinet**

For left and right hand

Place template inside cabinet

