



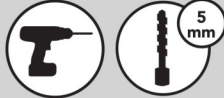
12400 Earl Jones Way
Louisville, KY 40299
rev-a-shelf.com
Customer Service: 800-626-1126



INSTALLATION INSTRUCTIONS

CLOSET SHOE RAIL

TOOLS REQUIRED:

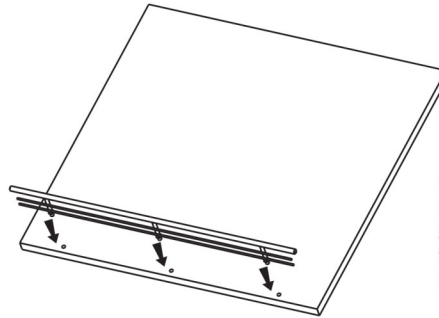


ESTIMATED ASSEMBLY TIME:

5 MIN

CARE AND MAINTENANCE:

Clean with a damp cloth and wipe parts dry.



1. The shelf requires (3) holes to be drilled. Hole diameter is 5mm" x 1/2" deep. Use the shoe rail as a template to mark exact hole placement.

2. Insert Wire Shoe Rail into shelf.

I-CSR-0417



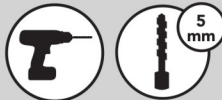
12400 Earl Jones Way
Louisville, KY 40299
rev-a-shelf.com
Customer Service: 800-626-1126



INSTALLATION INSTRUCTIONS

CLOSET SHOE RAIL

TOOLS REQUIRED:

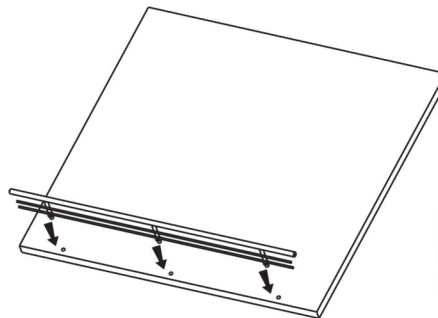


ESTIMATED ASSEMBLY TIME:

5 MIN

CARE AND MAINTENANCE:

Clean with a damp cloth and wipe parts dry.



1. The shelf requires (3) holes to be drilled. Hole diameter is 5mm" x 1/2" deep. Use the shoe rail as a template to mark exact hole placement.

2. Insert Wire Shoe Rail into shelf.

I-CSR-0417