



## INSTALLATION INSTRUCTIONS

12400 Earl Jones Way  
Louisville, KY 40299  
rev-a-shelf.com  
Customer Service: 800-626-1126



### CLOSET BASKETS

#### TOOLS REQUIRED:



#### ESTIMATED ASSEMBLY TIME:

**10 MIN**

#### CARE AND MAINTENANCE:

Clean with a damp cloth and wipe parts dry.

#### PARTS LIST

Wire Basket (1)  
Ball-Bearing Slide (2)  
M4 Wood Screw (4)  
5 mm Euro Screw (4)

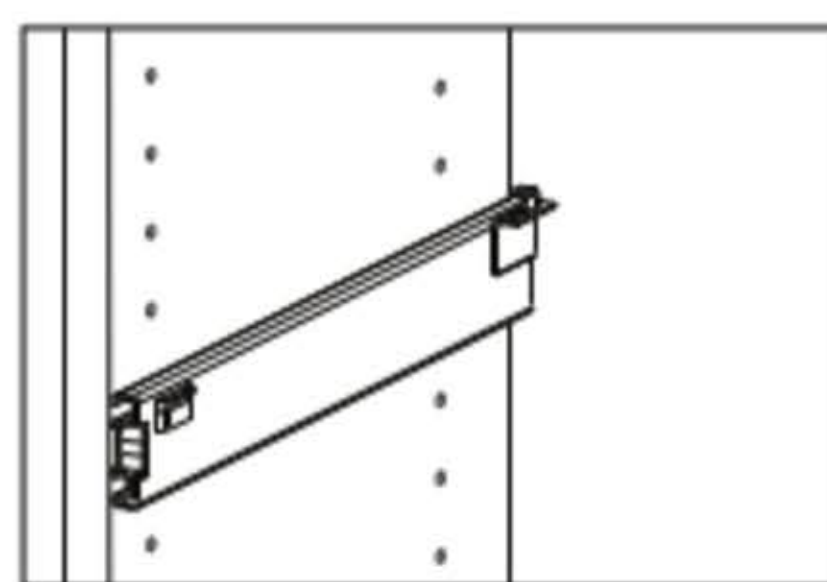


FIGURE 1

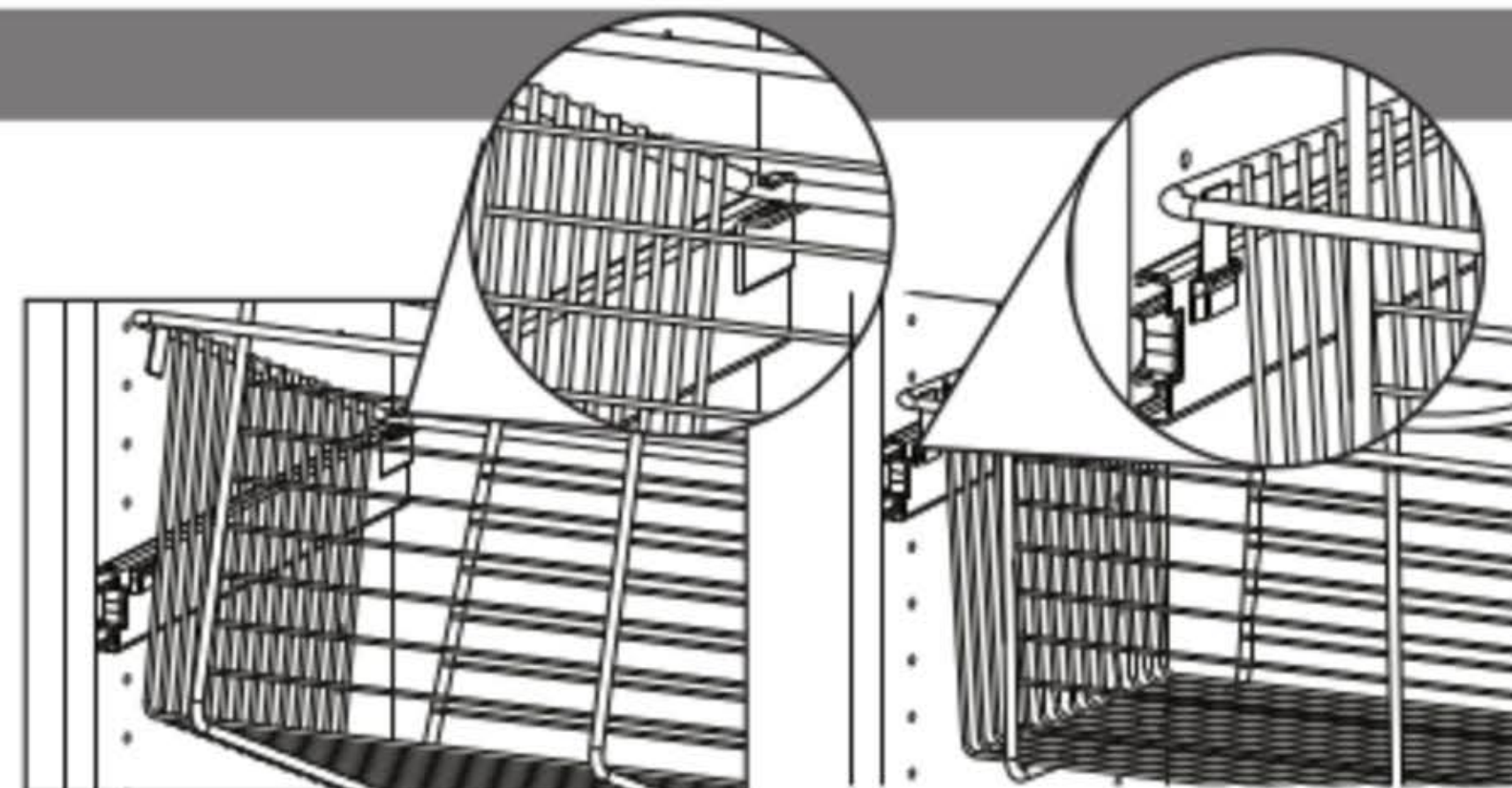


FIGURE 2

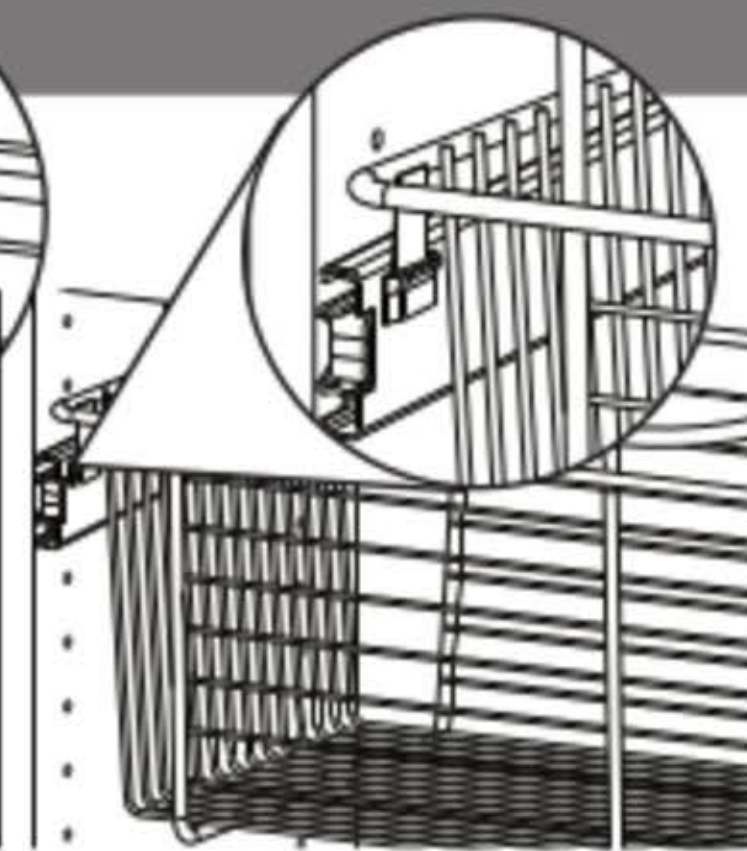


FIGURE 3

1. Position ball-bearing slide where desired in closet
2. Align front of slide with front of closet panel (Fig. 1)  
If the system holes align properly with holes in the slide, use 5 mm Euro screws to attach the slide. If system holes do not align properly with holes in the slide, use M4 wood screws
3. Repeat step 2 for other slide.
4. Place back wire of basket into hook on left and right slides. (Fig. 2)
5. Lower the basket down so that the tabs on the basket are inserted into the slots on the slides. (Fig. 3)

I-CB-0317



## INSTALLATION INSTRUCTIONS

12400 Earl Jones Way  
Louisville, KY 40299  
rev-a-shelf.com  
Customer Service: 800-626-1126



### CLOSET BASKETS

#### TOOLS REQUIRED:



#### ESTIMATED ASSEMBLY TIME:

**10 MIN**

#### CARE AND MAINTENANCE:

Clean with a damp cloth and wipe parts dry.

#### PARTS LIST

Wire Basket (1)  
Ball-Bearing Slide (2)  
M4 Wood Screw (4)  
5 mm Euro Screw (4)

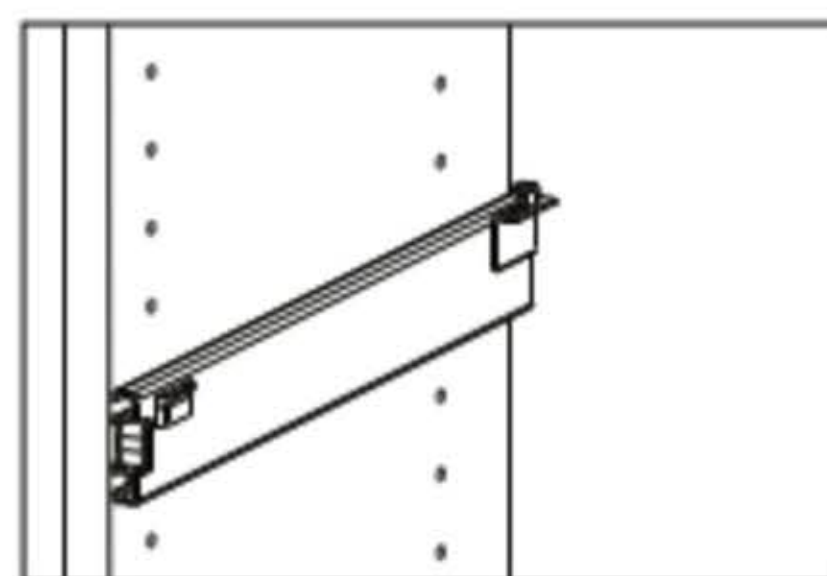


FIGURE 1

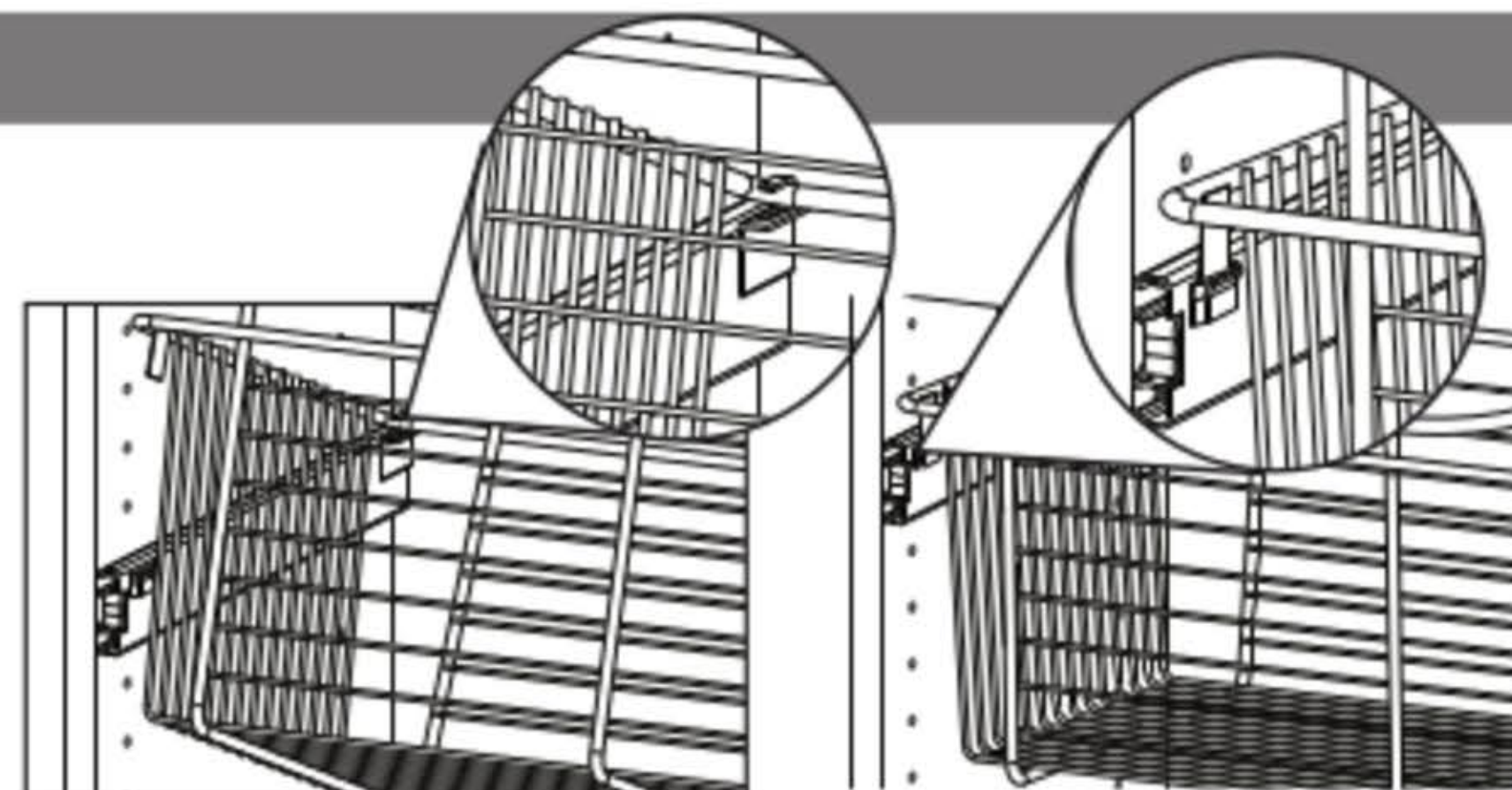


FIGURE 2

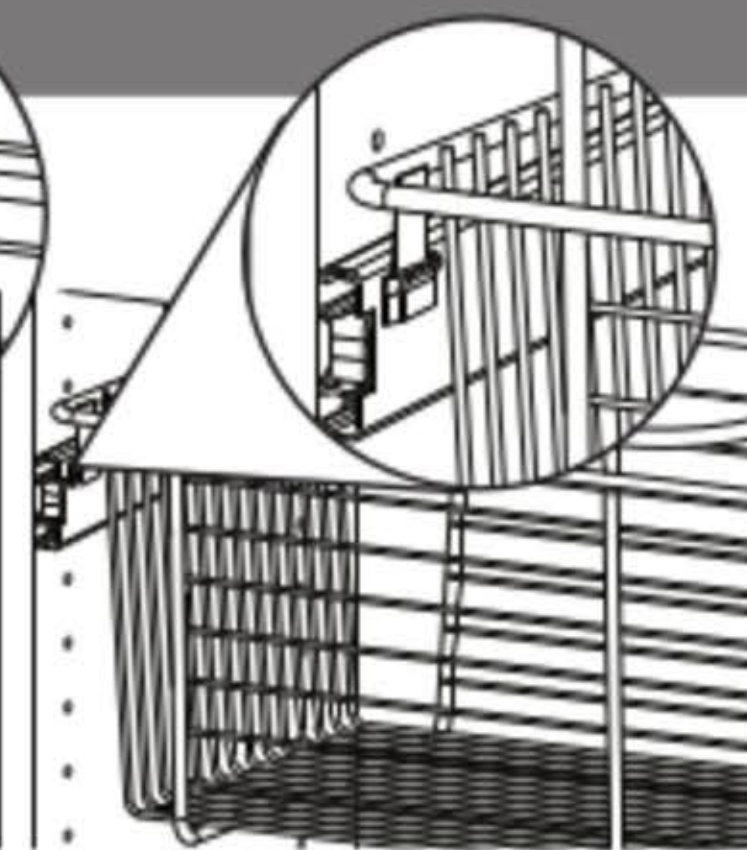


FIGURE 3

1. Position ball-bearing slide where desired in closet
2. Align front of slide with front of closet panel (Fig. 1)  
If the system holes align properly with holes in the slide, use 5 mm Euro screws to attach the slide. If system holes do not align properly with holes in the slide, use M4 wood screws
3. Repeat step 2 for other slide.
4. Place back wire of basket into hook on left and right slides. (Fig. 2)
5. Lower the basket down so that the tabs on the basket are inserted into the slots on the slides. (Fig. 3)

I-CB-0317