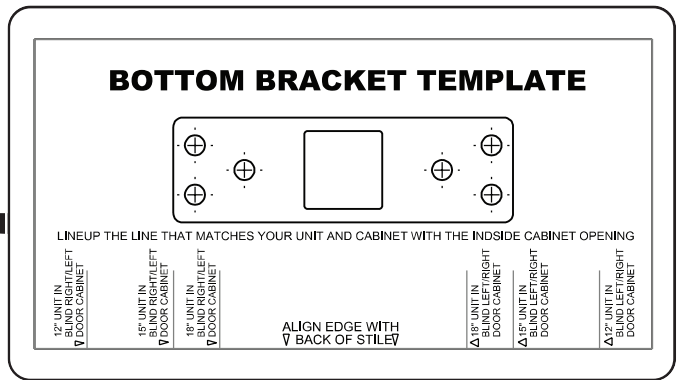
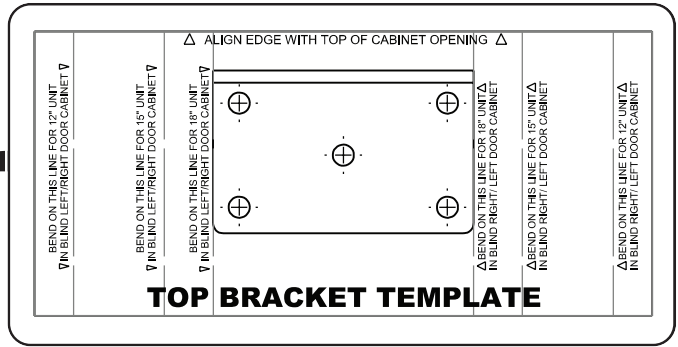
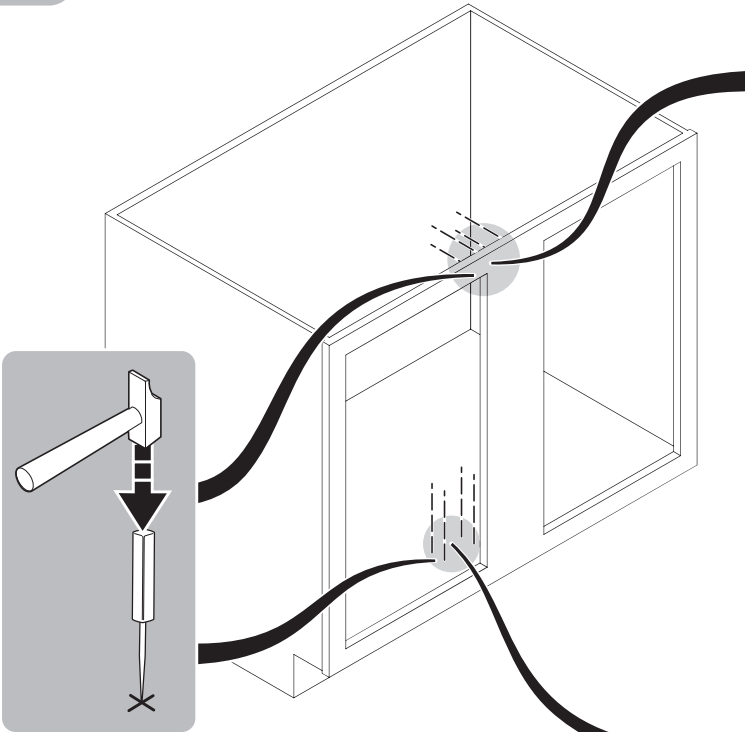
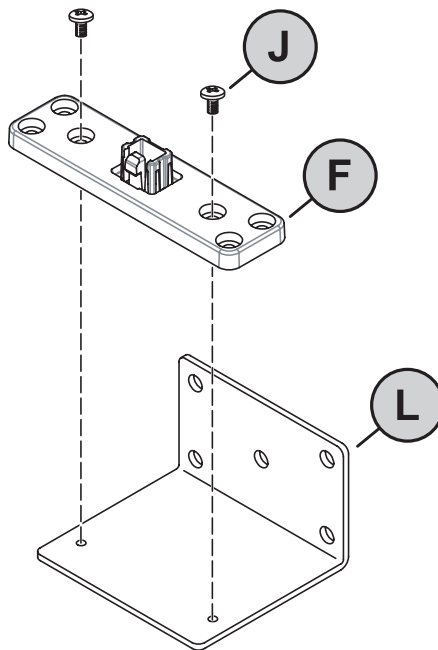


1



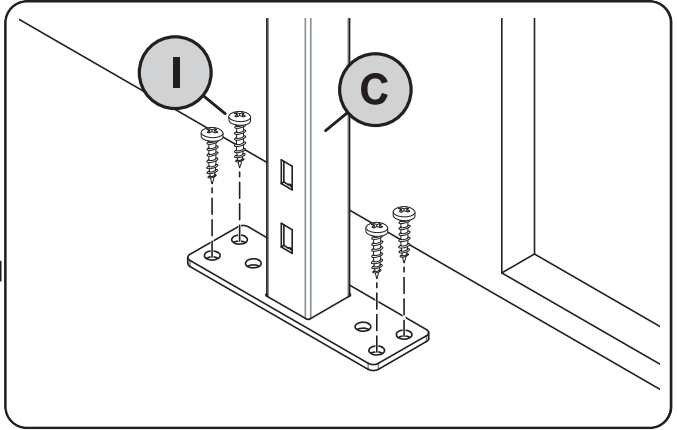
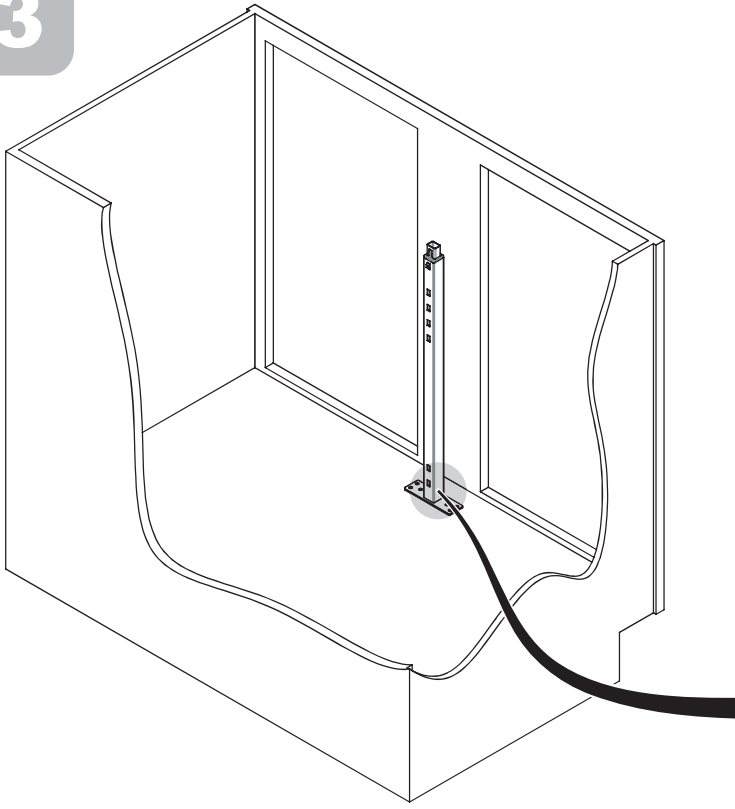
\*Frameless applications use frameless template to ensure clearance of hinge/door.

2

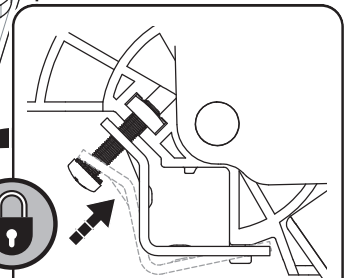
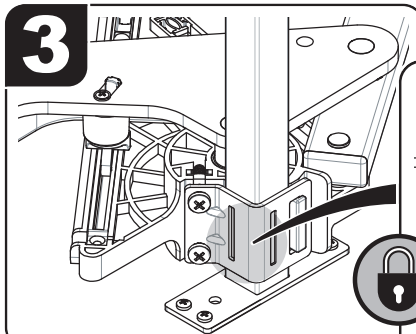
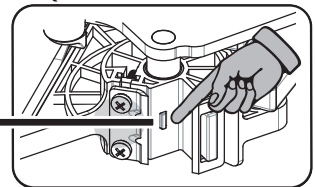
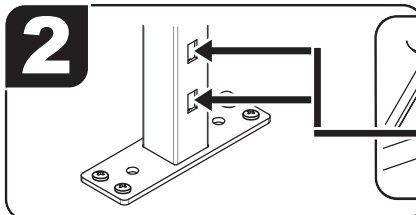
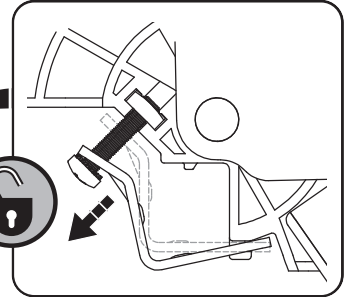
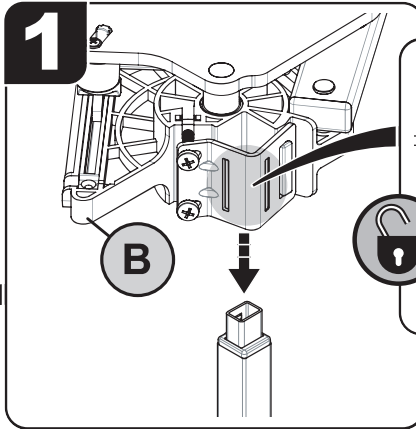
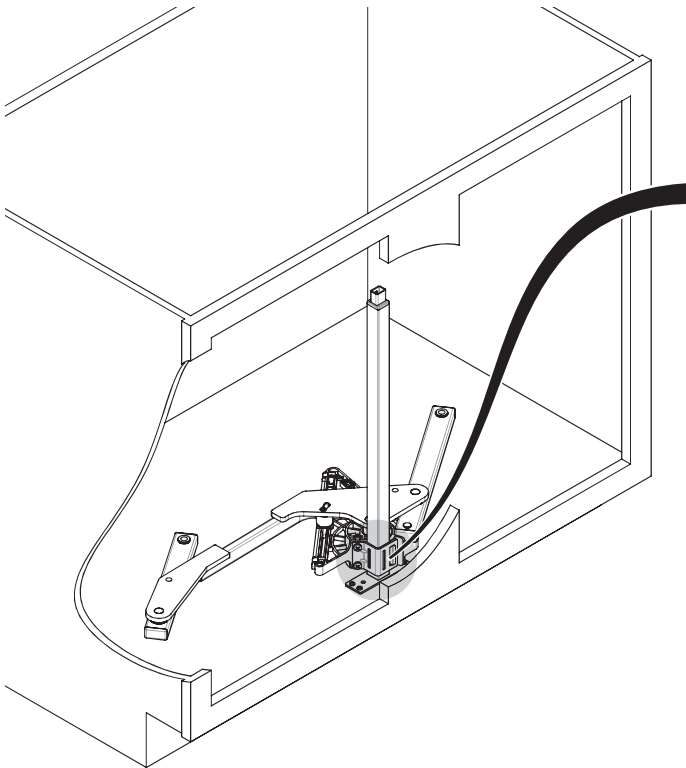


\*Skip this step if using frameless template. Attach the Top Post Bracket (F) directly to top of cabinet in step 6, omitting post support bracket (Part L).

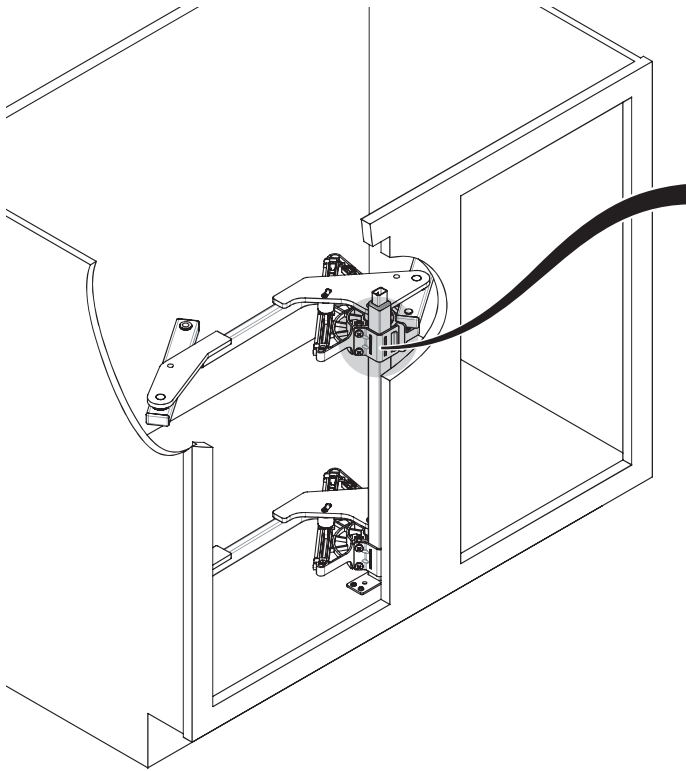
3



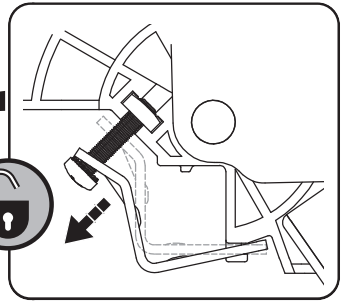
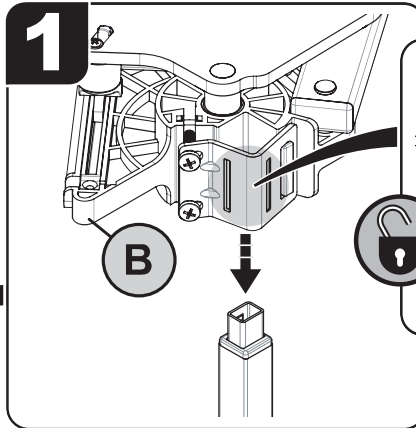
4



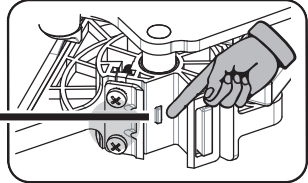
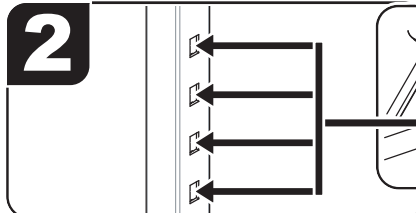
5



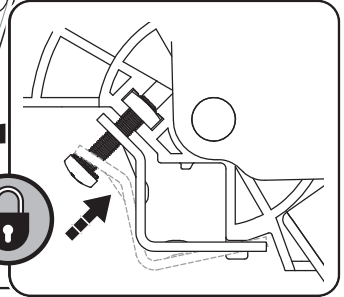
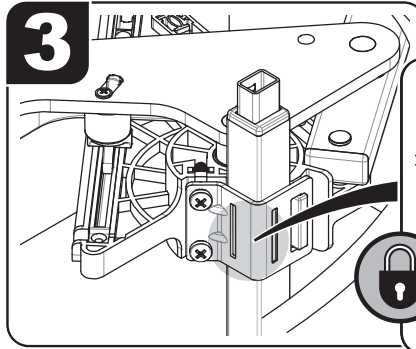
1



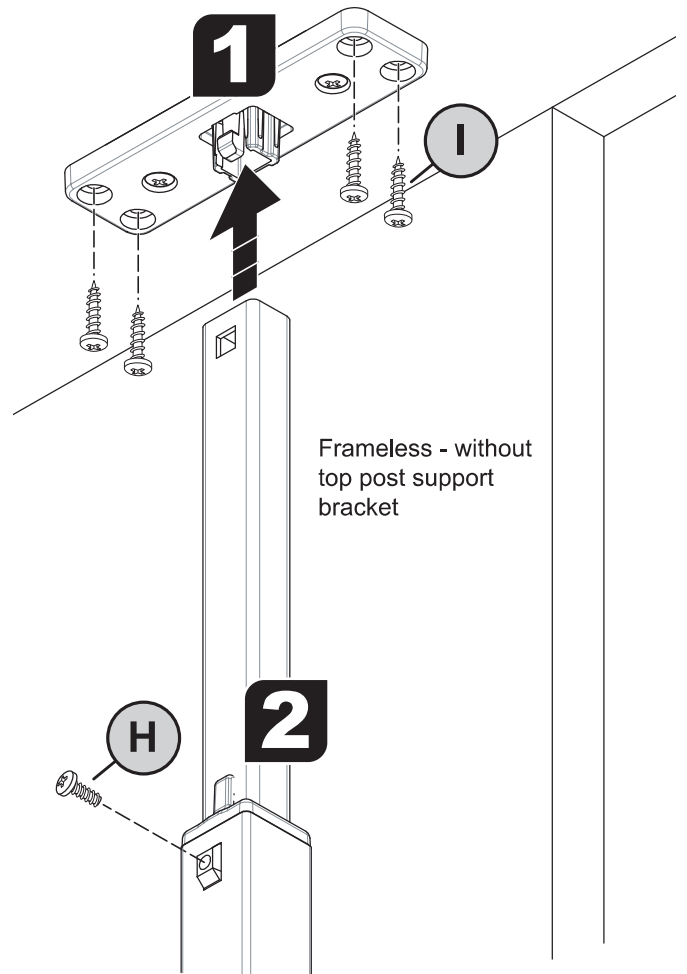
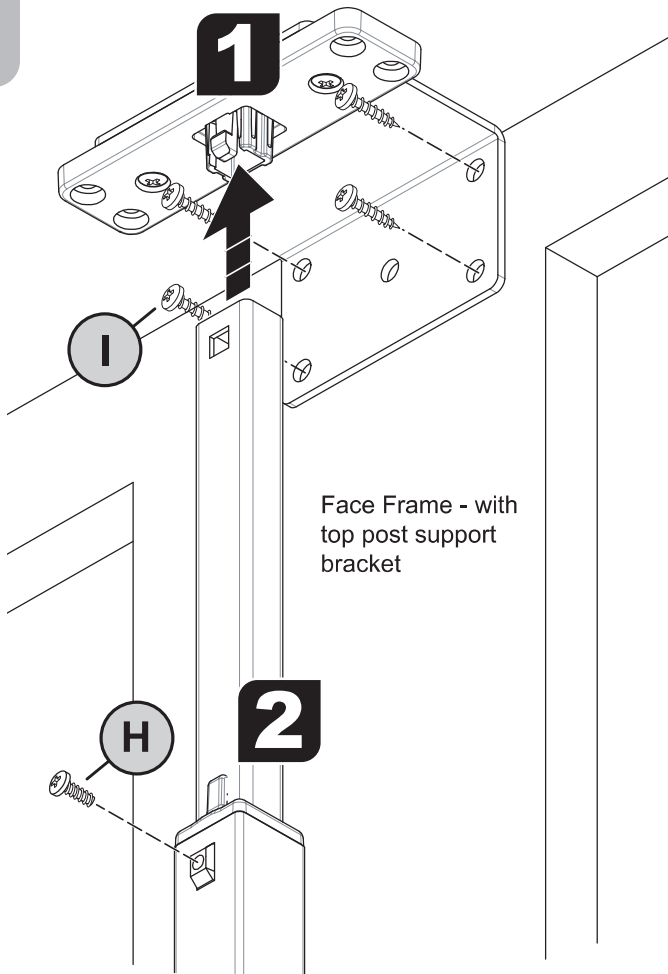
2



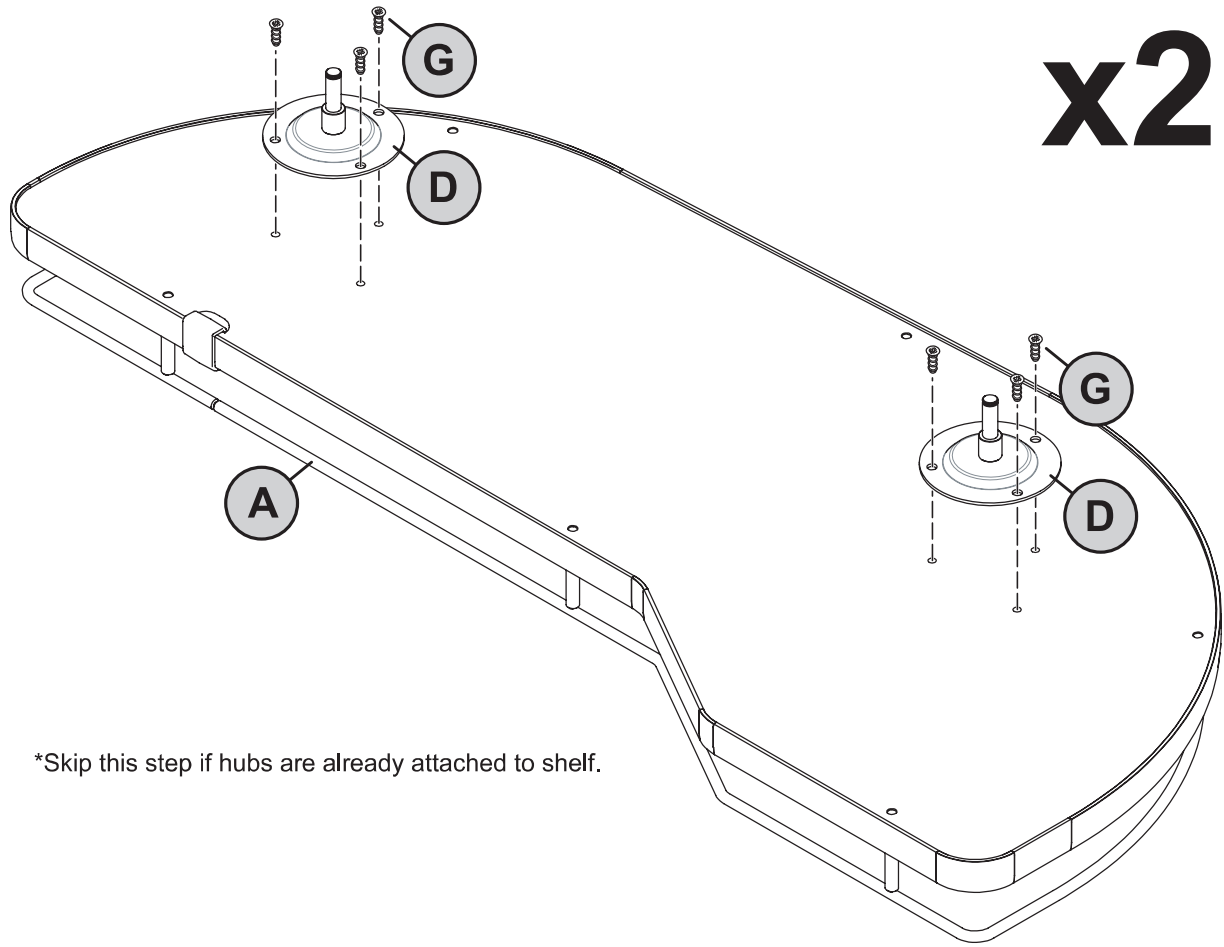
3



6

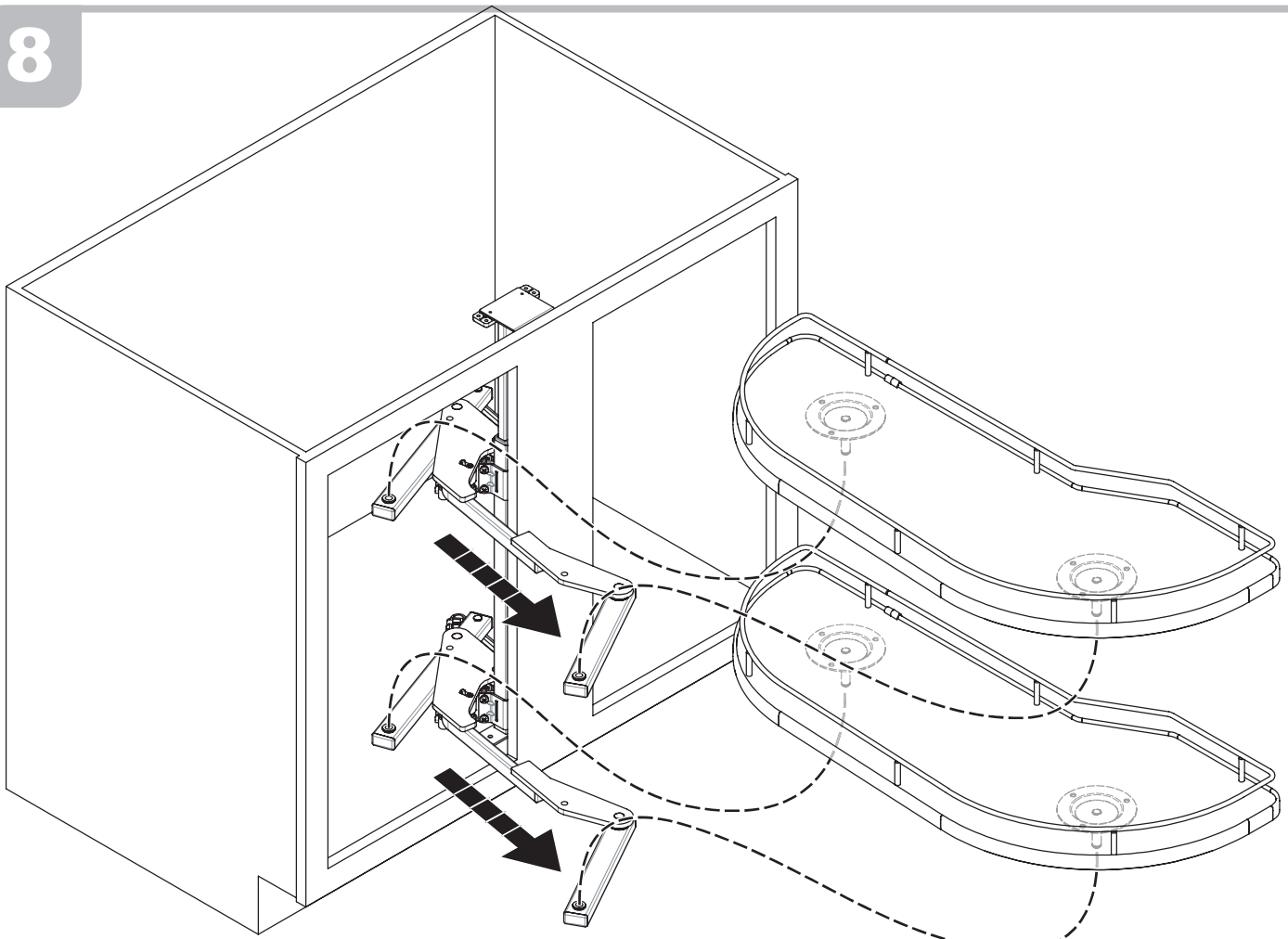


7



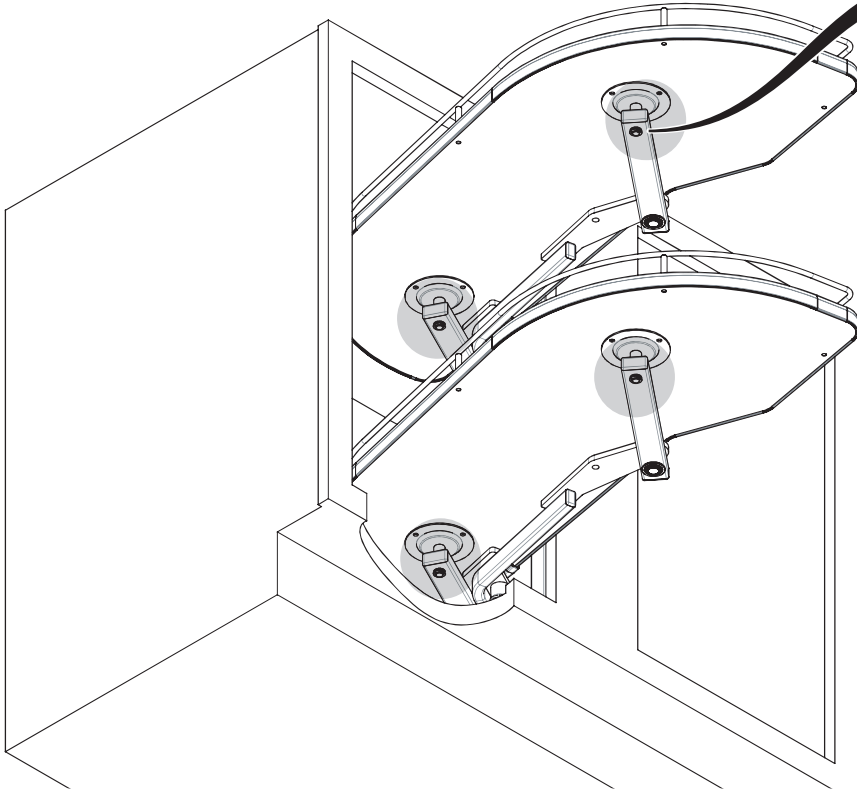
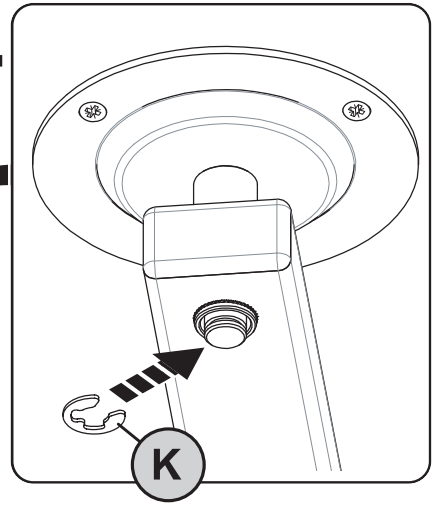
\*Skip this step if hubs are already attached to shelf.

8



9

x4



10

