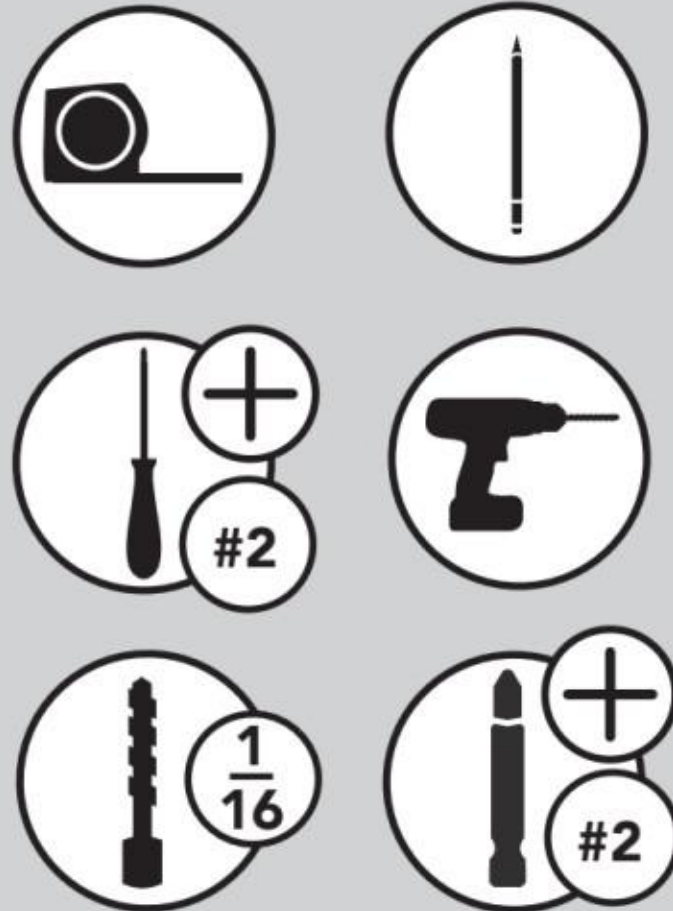


INSTALLATION INSTRUCTIONS

53PSPE SOFT-CLOSE ELITE BLIND CORNER OPTIMIZER

TOOLS REQUIRED:



ESTIMATED ASSEMBLY TIME:

45 MIN

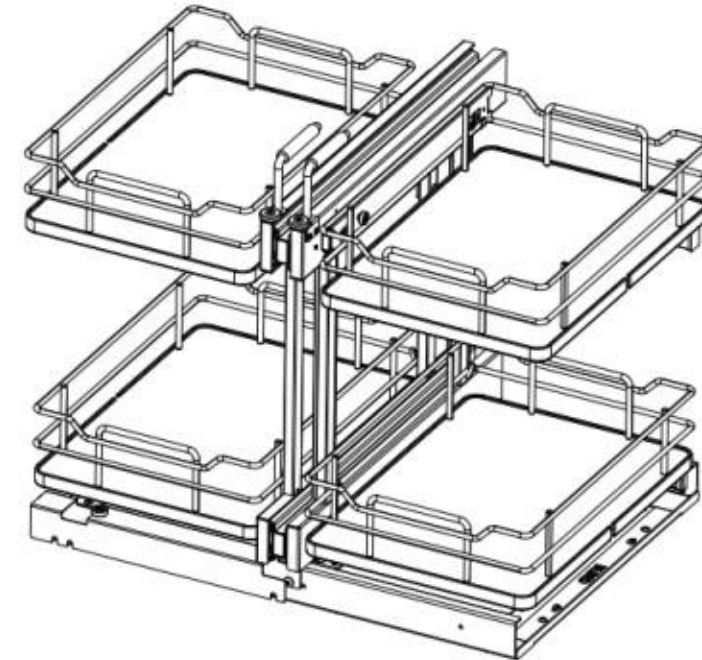
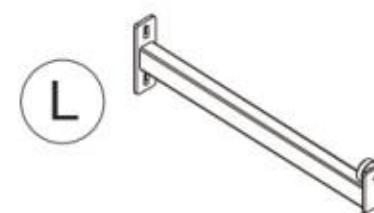
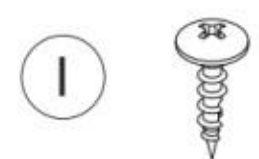
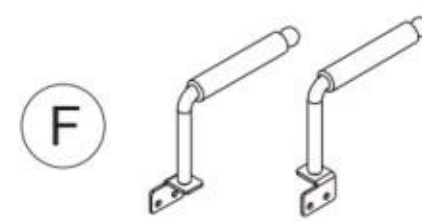
CARE AND MAINTENANCE:

Clean with a damp cloth and wipe parts dry.

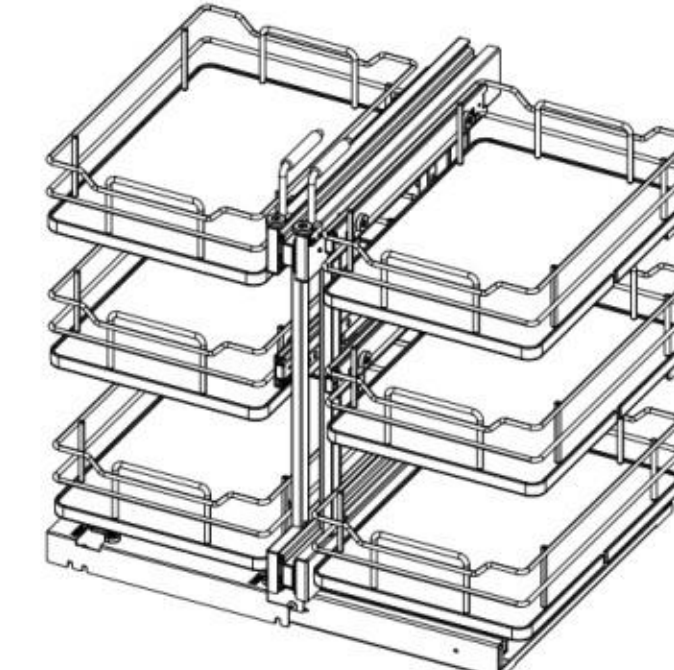
INSTALLATION OPTIONS

Blind Right/Left Door
Application page 2

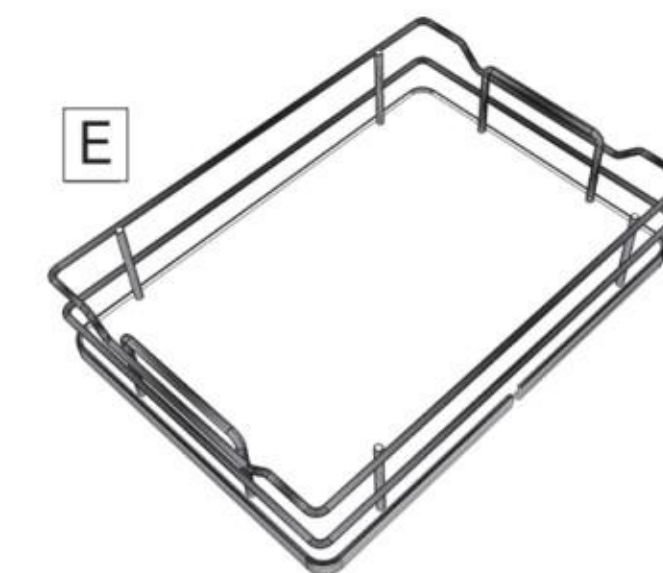
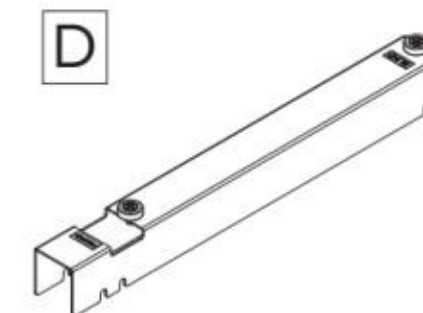
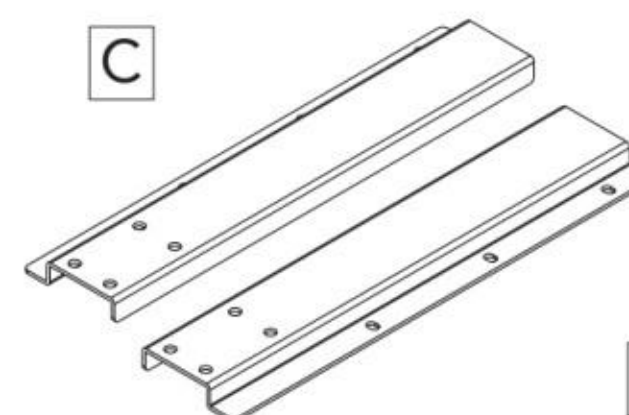
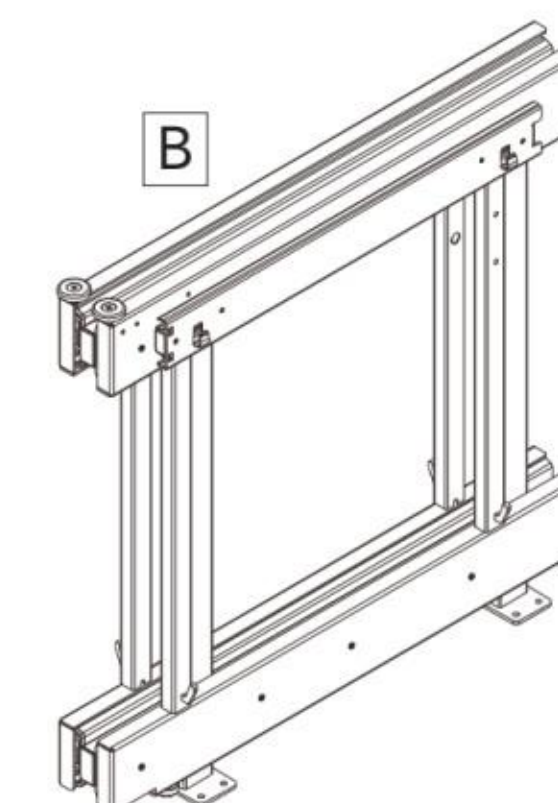
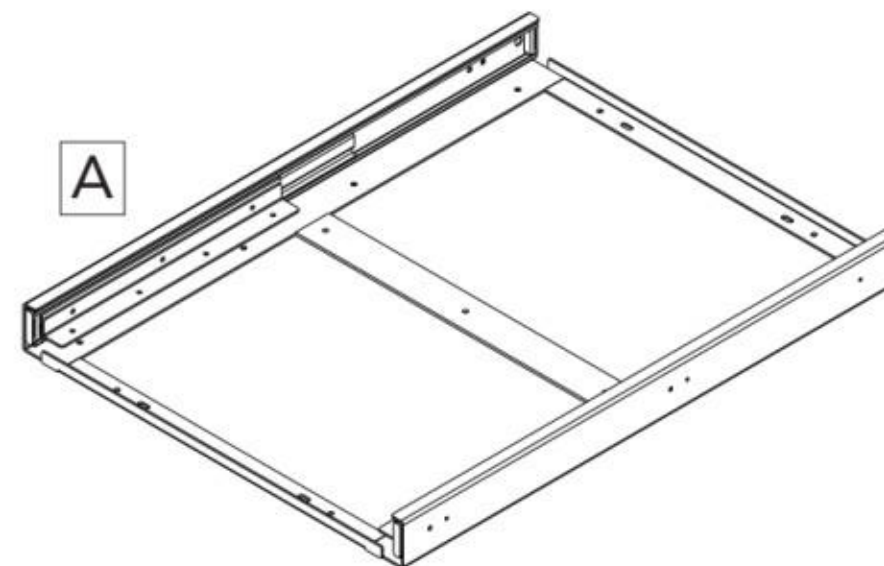
Blind Left/Right Door
Application page 6



Two-Tier (53PSPE-XX)



Three-Tier (53PSPE3-XX)



UNIT PARTS LIST:

Item #	Description	QTY
A	Base	1
B	Frame	1
C	Feet	2
D	Guide Channel	1
E	Solid Bottom Trays	4 or 6

HARDWARE PARTS LIST:

Item #	Description	QTY
F	Handles L/R	2
G	M6 x 10 mm Wafer Head Screws	8
H	M5 x 6 mm Flat-Head Screws	8
I	5/32 x 18 mm Wood Screws	19
J	Shoulder Bolts	2
K	Top Wheels	2
L	Arms	2 or 4
M	Shelf Retainers	4 or 8
N	M4 Countersunk Flat-Head Screws	4
O	M5 Phillips Round Washer Head Screws	4 or 8
P	M4 Truss Head Phillips/Slotted Screws	4 or 8

