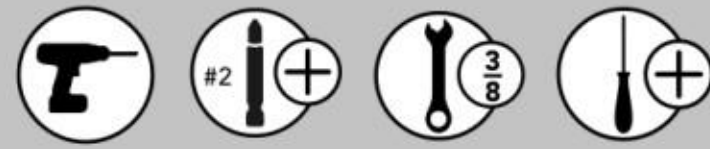


BOTTOM MOUNT WASTE CONTAINER

TOOLS REQUIRED:



ESTIMATED ASSEMBLY TIME:

15 MIN

CARE AND MAINTENANCE:

Clean with a damp cloth and wipe parts dry.

STEP 1

Fasten slide triggers to bottom of frame using (6) 6 x 1/2 flat head screws (See Fig. A-1 and A-2).

Center slide assembly and set back so the bottom strap is 3/4" back from the front of the cabinet (See Fig. B).

STEP 2

Once in desired position, secure to cabinet floor with (4) #8 x 3/4" truss head screws.

Note: Slight side to side adjustments can be made using the slotted holes.

Note: Rear outer screw locations can also be used for added stability (screws not included).

STEP 3

Once fastened to the cabinet floor, engage the wood frame onto the slide set.

Note: You should hear a distinct click when engaged properly.

Continue to page 2 for door mount instructions.



*Waste containers sold separately

Parts List		
No.	Description	Qty
A	Wood Frame	1
B	Slide Set	1
C	8 x 3/4" Truss Head Screws	4
D	6 x 1/2" Flat Head Screws	10
E	Slide Triggers	2

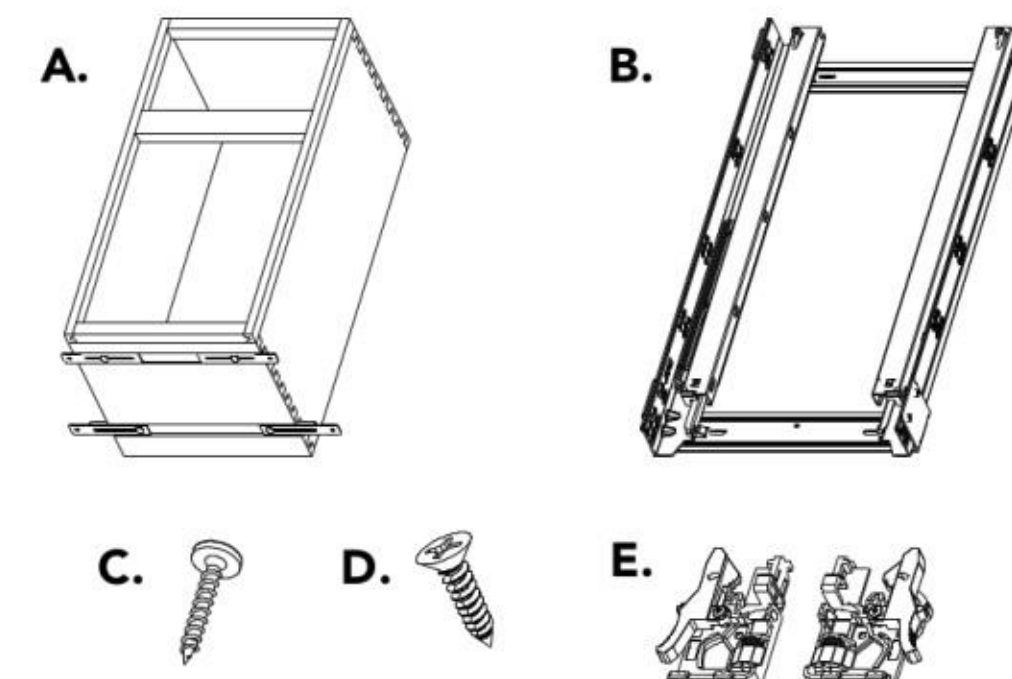


FIG. A-1

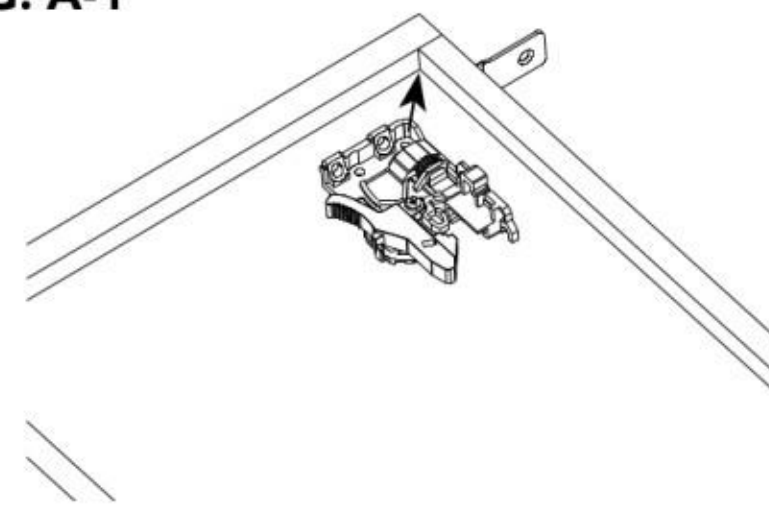


FIG. A-2

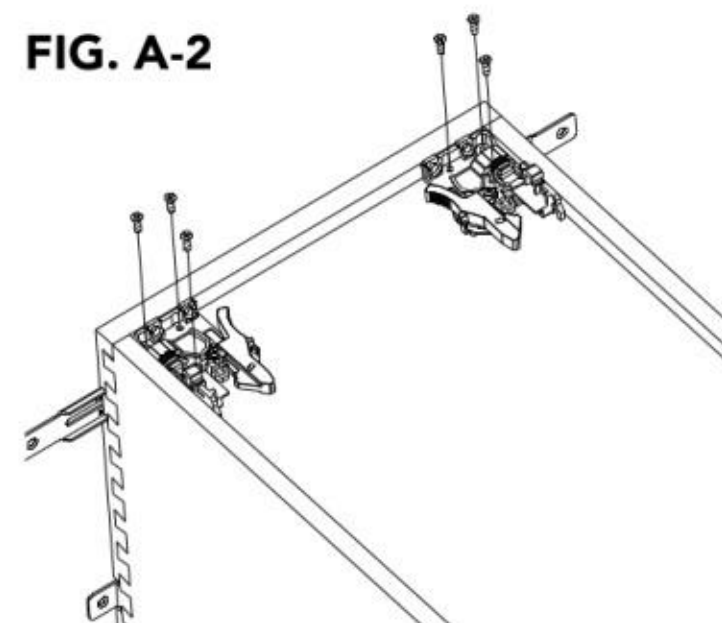


FIG. B

