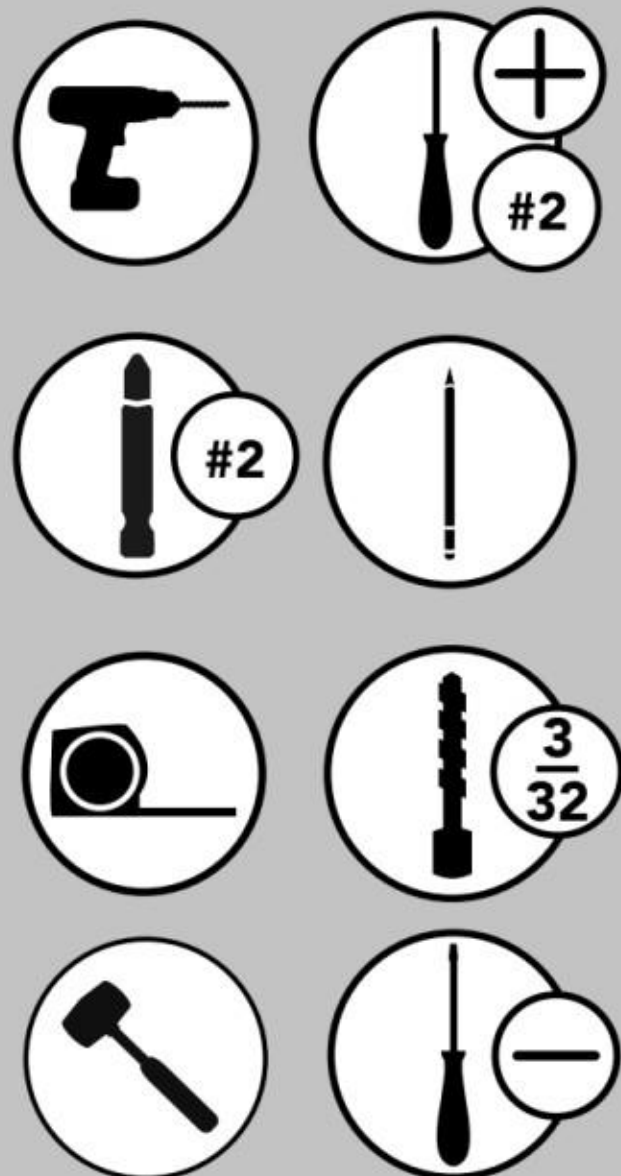


INSTALLATION INSTRUCTIONS

WOOD PANTRY PULLOUT

TOOLS REQUIRED:



ESTIMATED ASSEMBLY TIME:

45 MIN

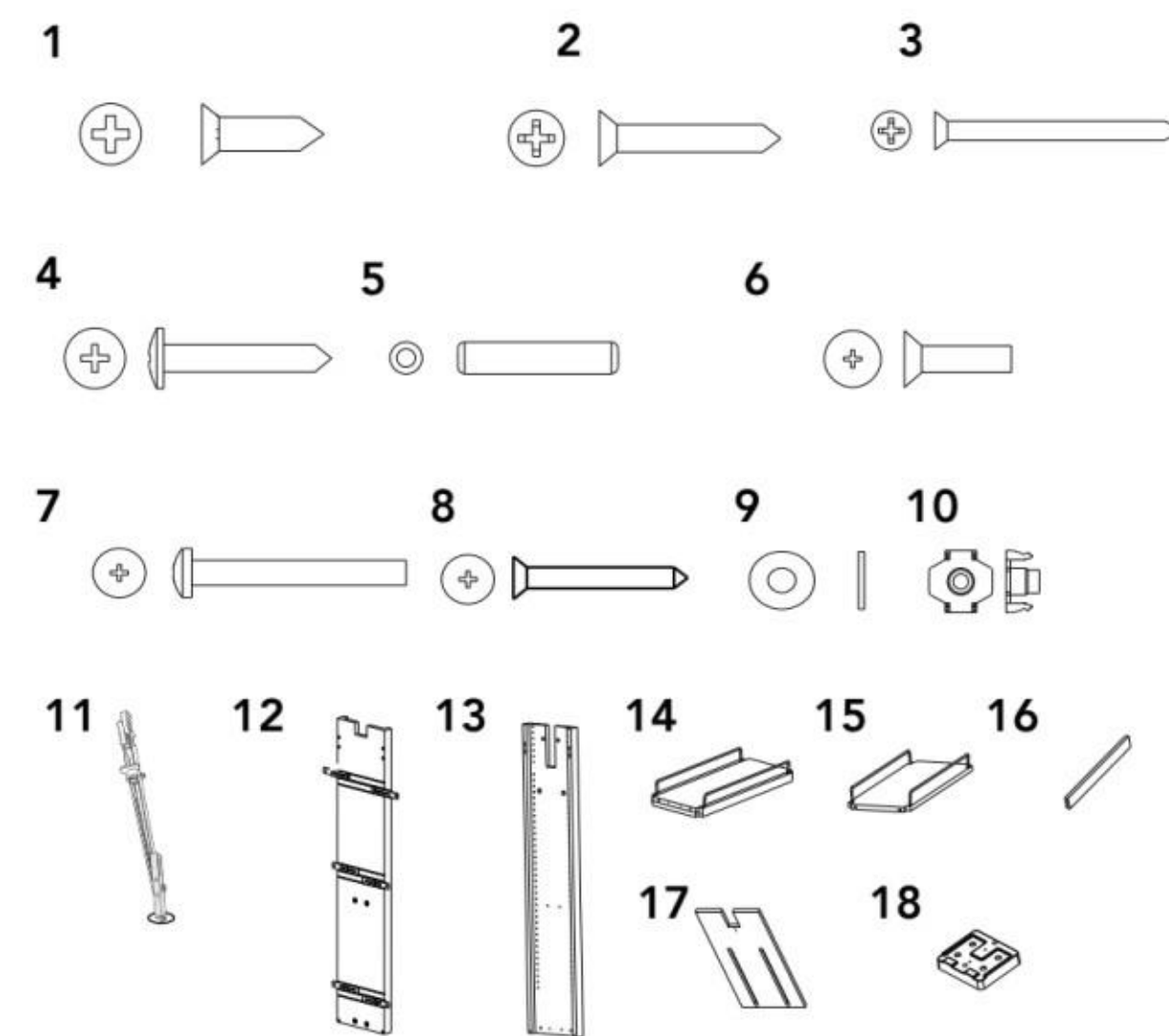
CARE AND MAINTENANCE:

Clean with a damp cloth and wipe parts dry.

SCAN HERE FOR
INSTALLATION VIDEO



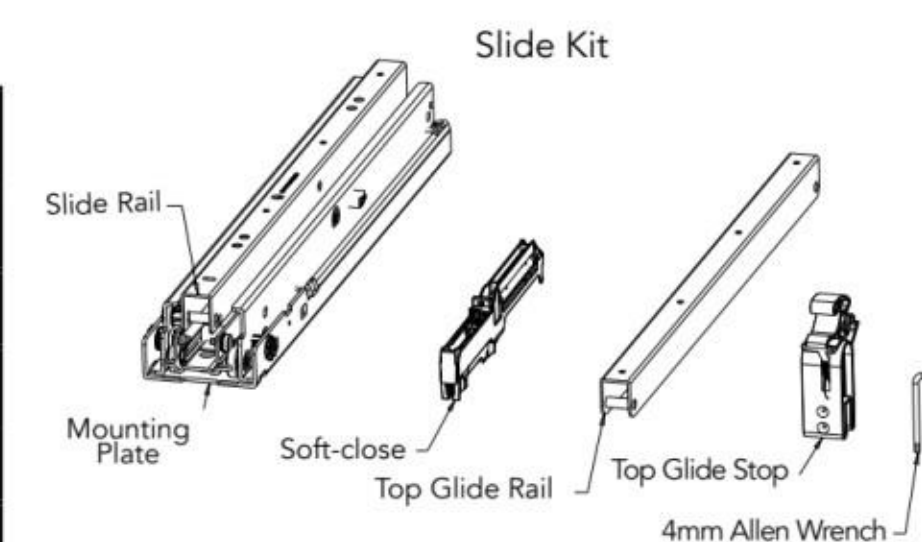
WWW.REV-A-SHELF.COM/
VIDEOS



Parts List

No.	Description	Qty
1	#6 x 1/2 Flat Head Wood Screws	6
2	#8 x 1 Deep Thread Flat Head Screws	12
3	#8 x 2 Wood Screws	12
4	#8 x 1 Pan Head Screws	8
5	6mm Wood Dowel	12
6	1/4-20 x 1 Flat Head Machine Screw	2
7	1/4-20 x 2 Pan Head Machine Screw	2
8	#8 x 1-1/2" Flat Head Screws	10
9	#8 Flat Washer	8
10	1/4-20 Tapered Barrel Nut	2
11	Snap Toggles	2
12	Front Panel	1
13	Back Panel	1
14	Bottom Shelf Assembly	1
15	Adjustable Shelf Assembly	4,5,6*
16	Top Rail	2
17	Floating Back Plate	1
18	Pantry Feet	2

* Dependent on unit purchased



INSTALLATION INSTRUCTIONS

WOOD PANTRY PULLOUT BOTTOM SLIDE TEMPLATE

