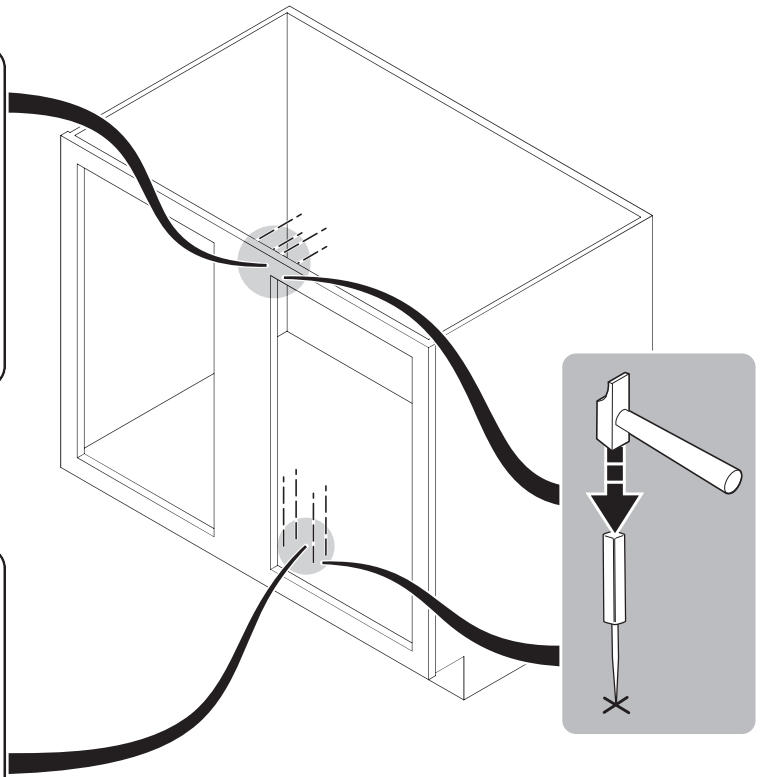
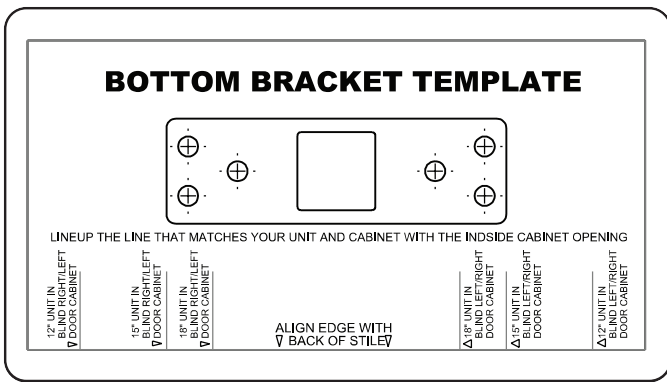
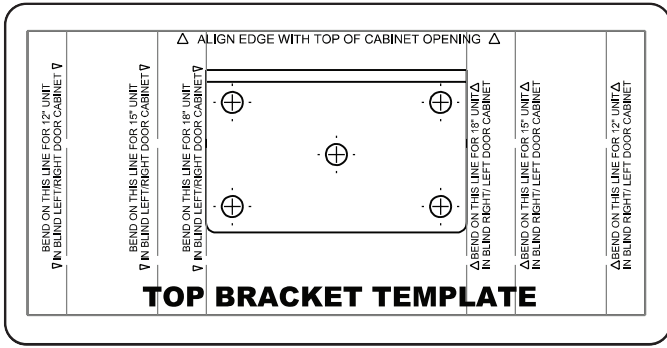
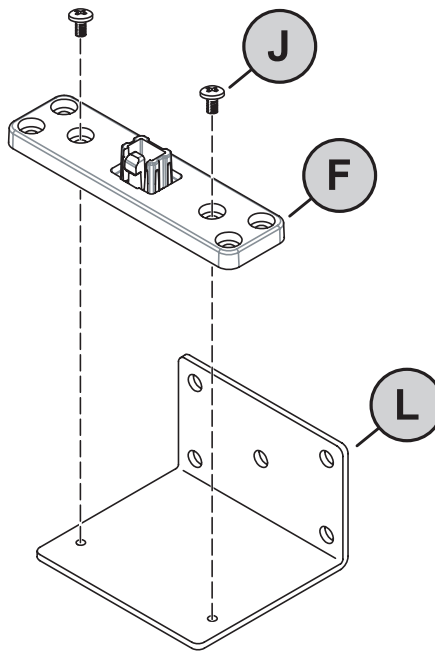


1



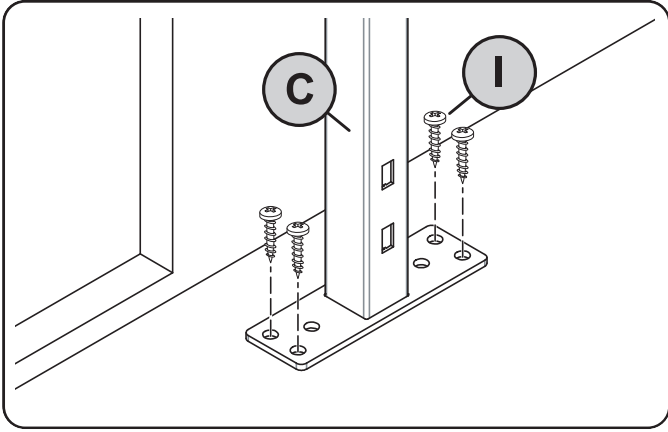
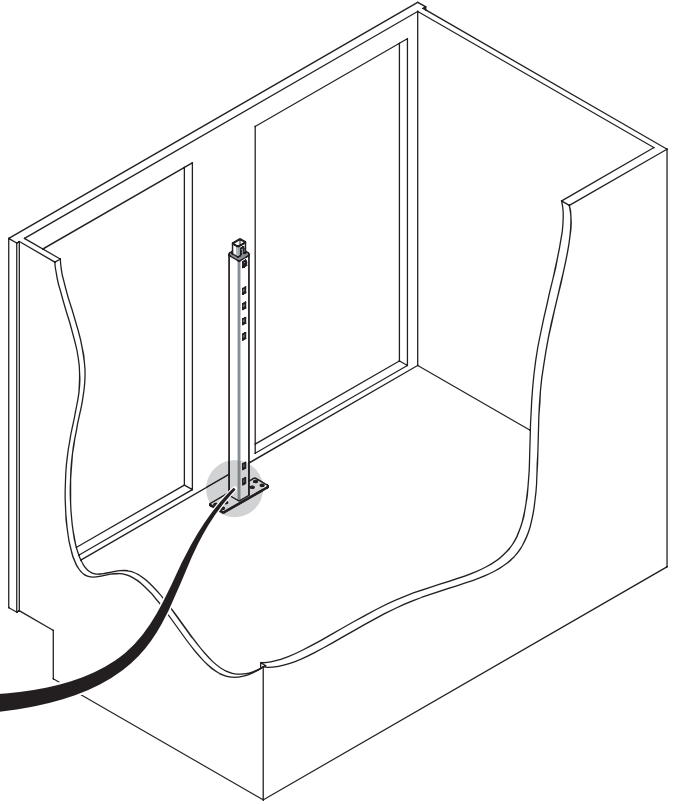
*Frameless applications use frameless template to ensure clearance of hinge/door.

2

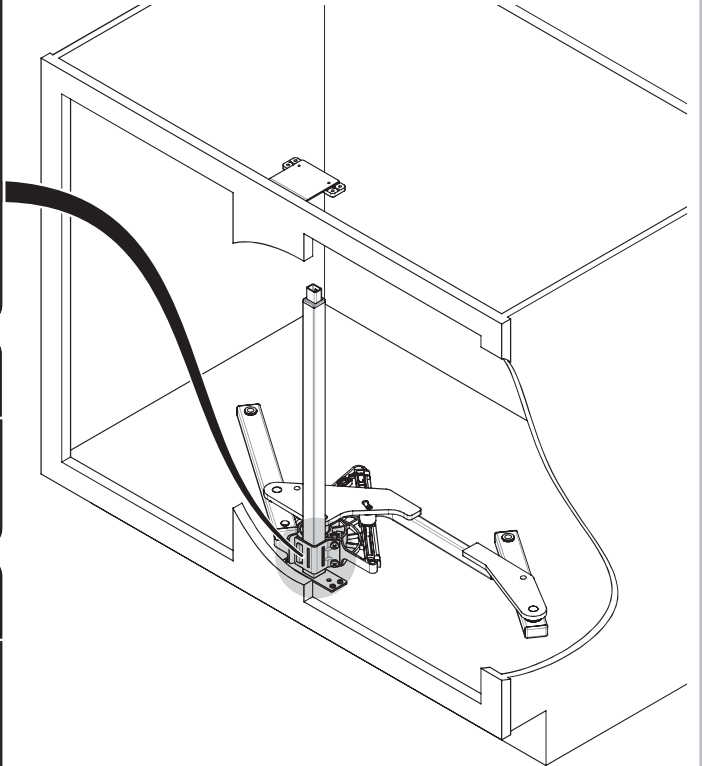
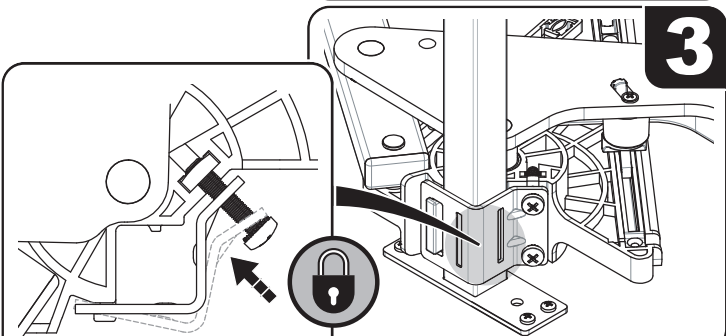
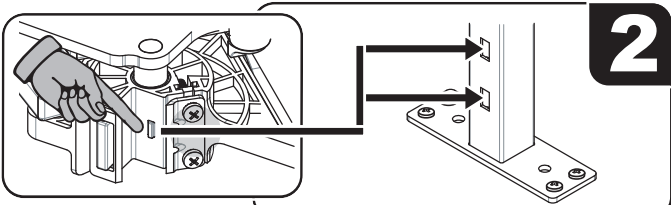
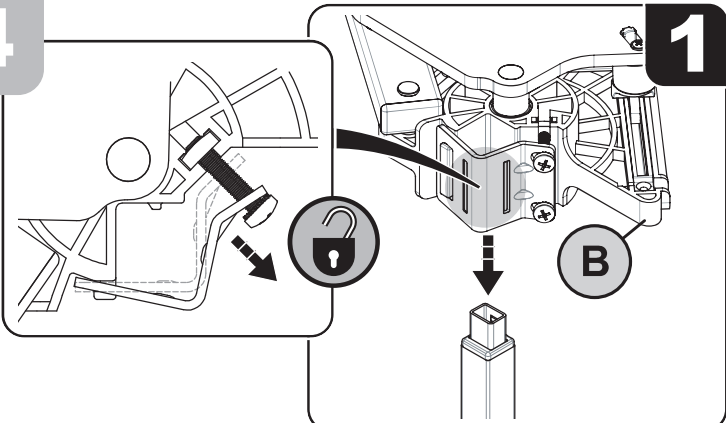


*Skip this step if using frameless template. Attach the Top Post Bracket (F) directly to top of cabinet in step 6, omitting post support bracket (Part L).

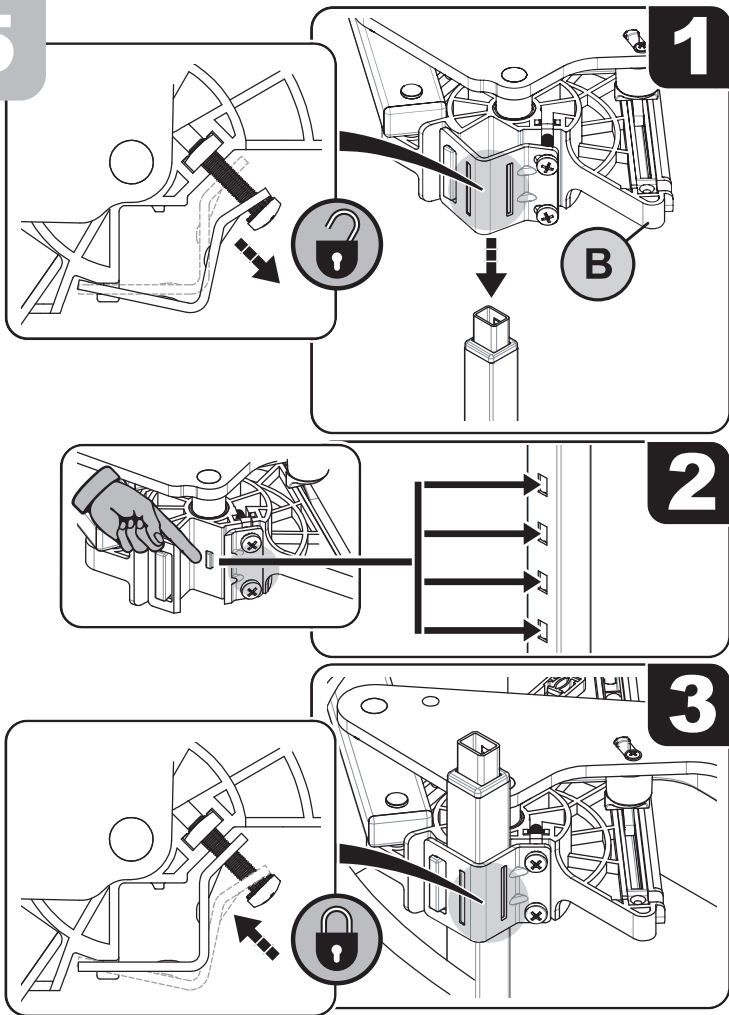
3



4



5

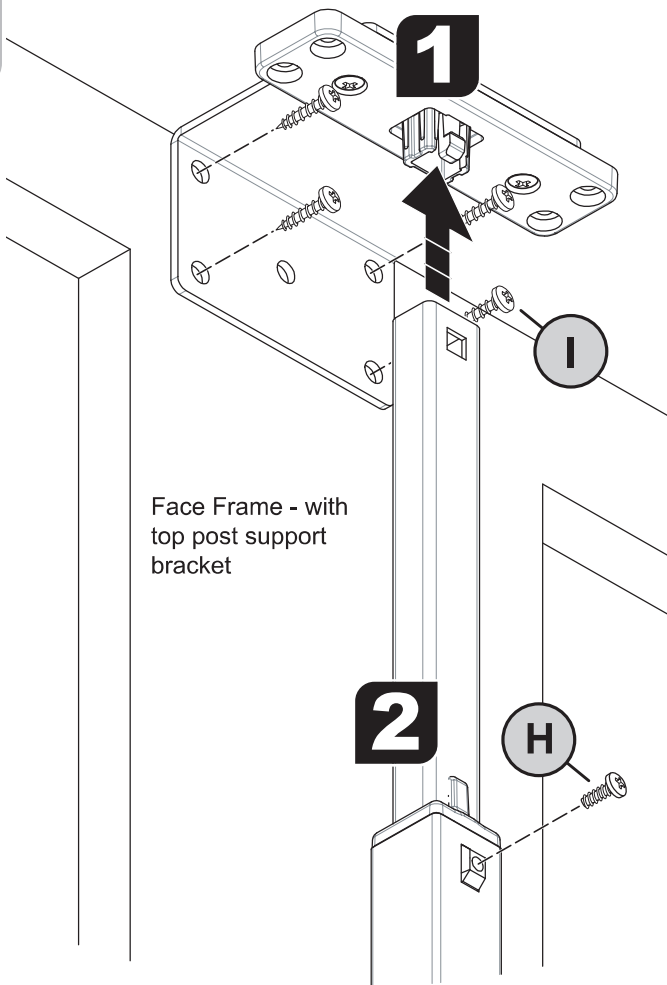


1

2

3

6

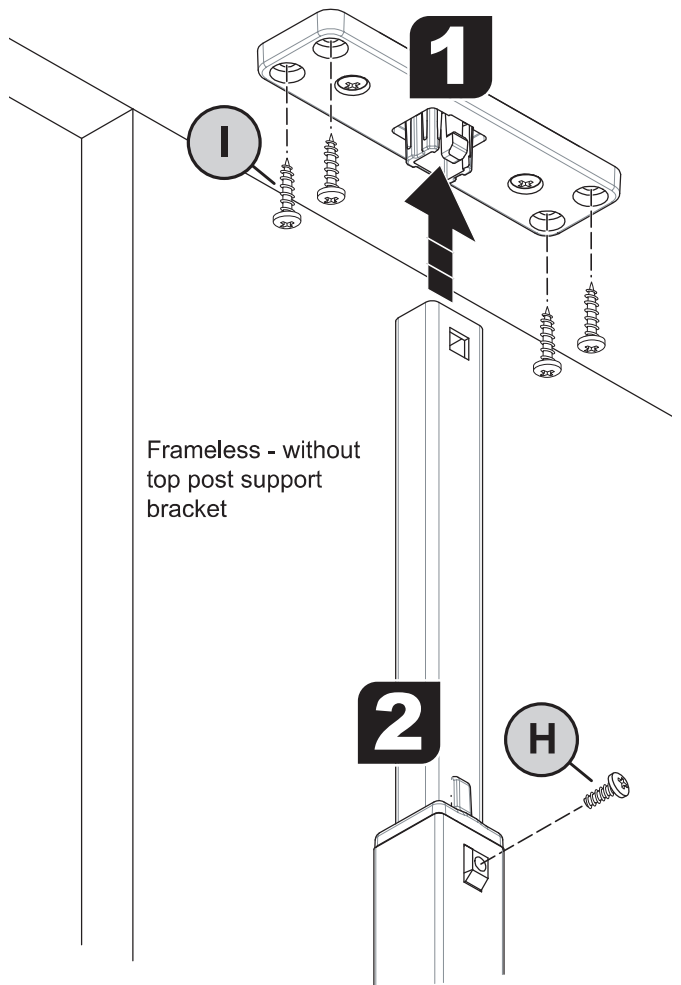


2

H

1

I



2

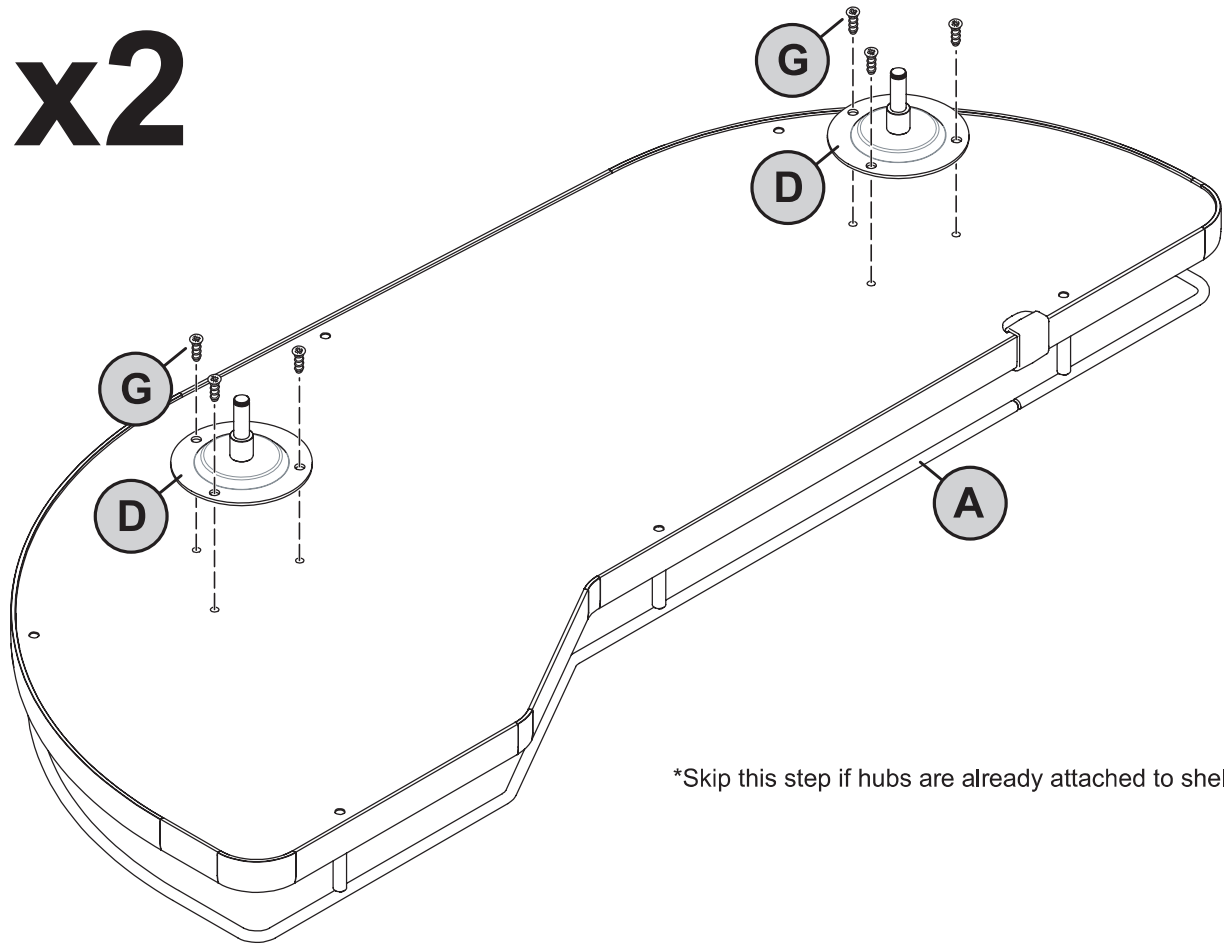
H

1

I

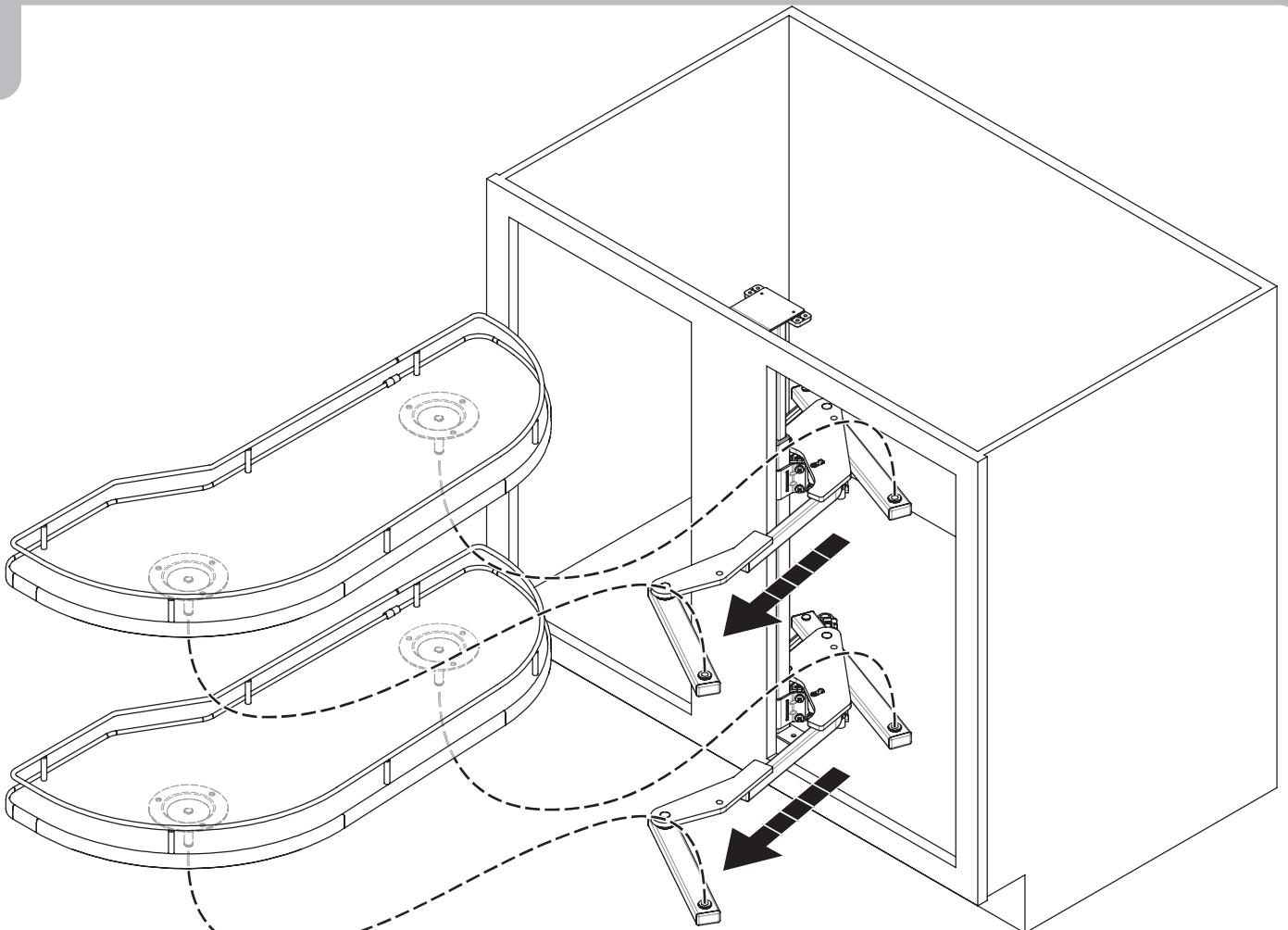
7

x2

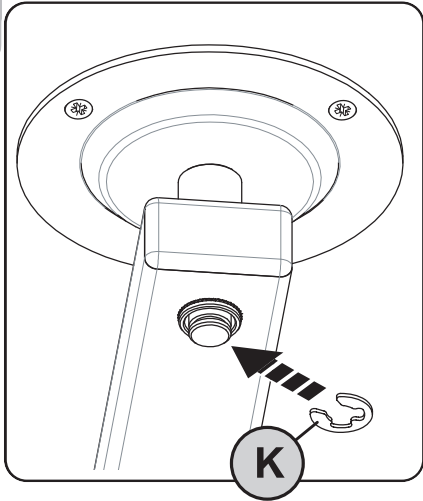


*Skip this step if hubs are already attached to shelf.

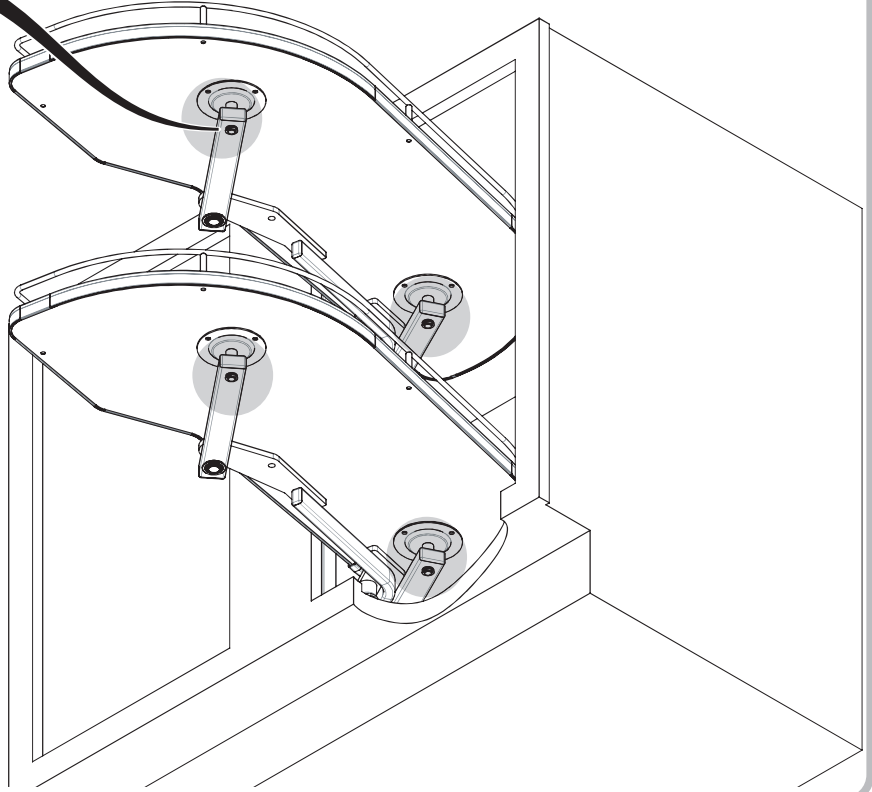
8



9



x4



10

