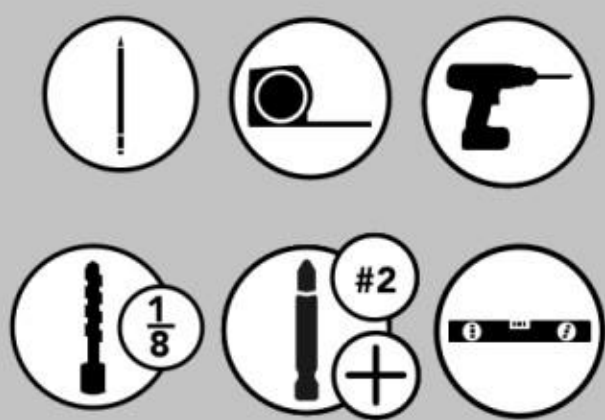


## INSTALLATION INSTRUCTIONS

### SWIVEL OUT BELT / TIE RACK

#### TOOLS REQUIRED:



#### ESTIMATED ASSEMBLY TIME:

**10 MIN**

#### CARE AND MAINTENANCE:

Clean with a damp cloth and wipe parts dry.

#### STEP 1

Unscrew the (2) screws attaching your belt/tie to the swivel slide with a # 2 Phillip head screwdriver (See Figure 1).

#### STEP 2

Fully extend the swivel slide. If using systems holes, attach the inner member to the cabinet sidewall using (2) M6 x 6 mm euro screws. Or measure, mark and pre-drill hole locations and attach to cabinet sidewall with (2) #8 x 32 x 1/2" wood screws (See Figure 2).

**Note: Before pre-drilling, match up the marked holes with the swivel slide making sure it will be level.**

#### STEP 3

When the slide swivel is installed, secure your belt/tie using the same (2) screws it came with.

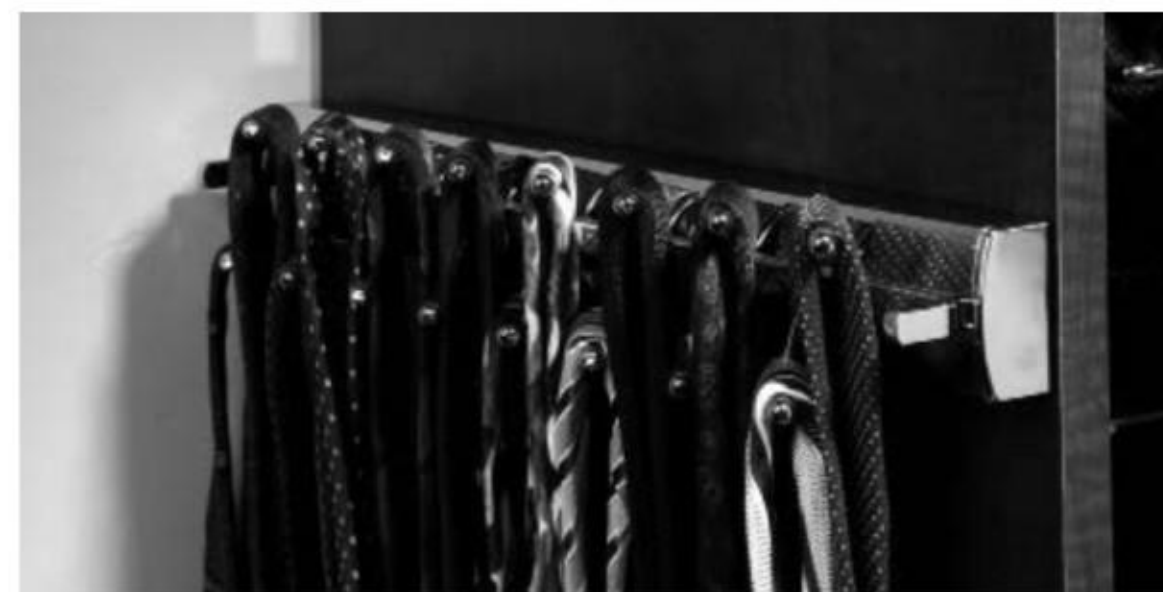


FIG. 1

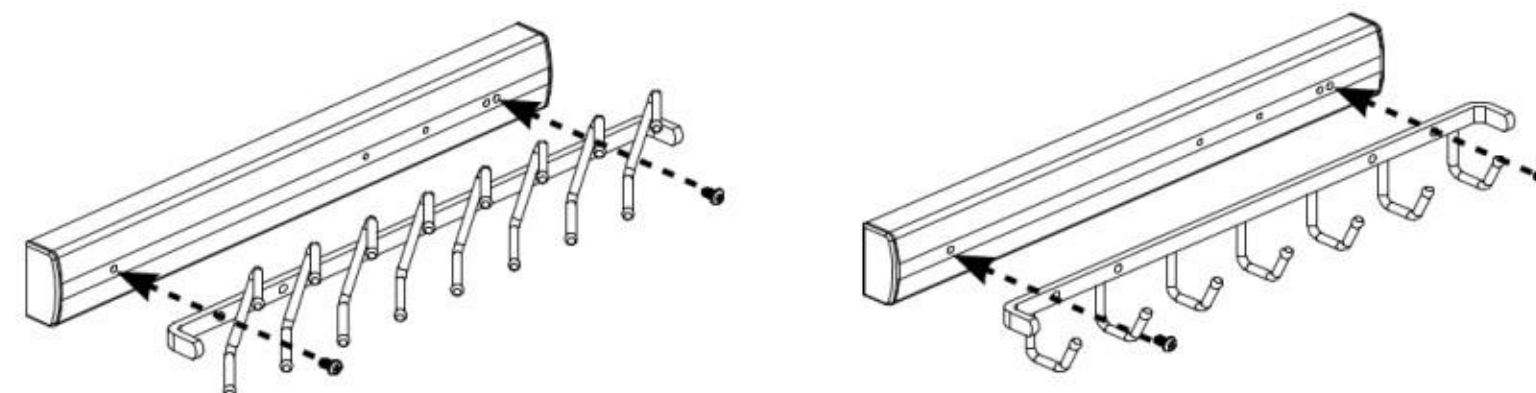


FIG. 2

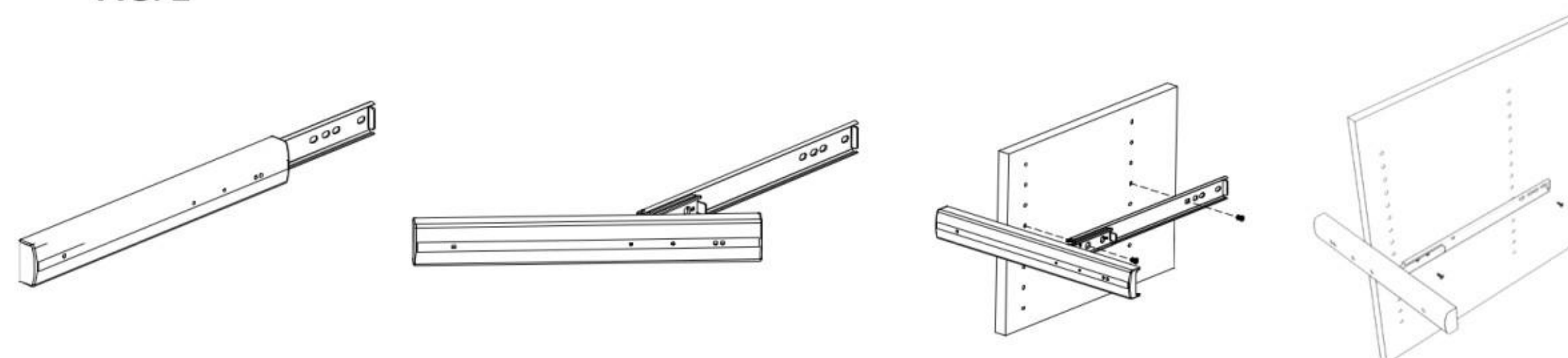
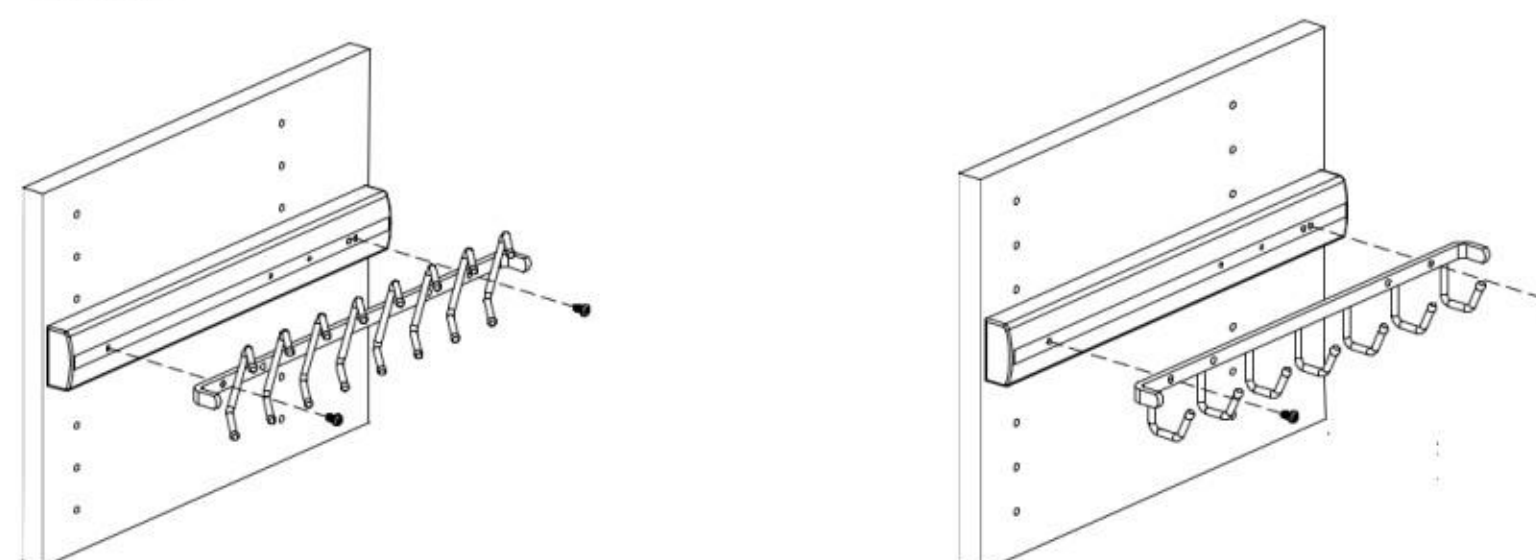


FIG. 3



#### PARTS LIST

No.	Description	Qty.
A	Swivel Out Belt / Tie Rack*	1
B	#8 – 32 X 1/2" Wood Screws	2
C	M6 X 6 mm Euro Screws	2

\*Dependent on unit purchased

