

INSTALLATION INSTRUCTIONS

VANITY RACK ORGANIZER

TOOLS REQUIRED:



ESTIMATED ASSEMBLY TIME:

15 MIN

CARE AND MAINTENANCE:

Clean with a damp cloth and wipe parts dry.

STEP 1

Attach adjustable mounting brackets to the back of the frame using (4) #6 x 1/2" flat head screws (See Figure 1).

STEP 2

Mark preferred screw locations to the center of the thick portion of the door and pre-drill pilot holes using 7/64" bit (See Fig. 2)

STEP 3

Adjust the mounting brackets to line up with the holes and attach to the door using (4) #6 x 1/2" flat head screws (See Figure 3).

PARTS LIST

No.	Description	Qty.
A	Frame	1
B	Adjustable Mounting Brackets	4
C	#6 x 1/2" Flat Head Screws	8

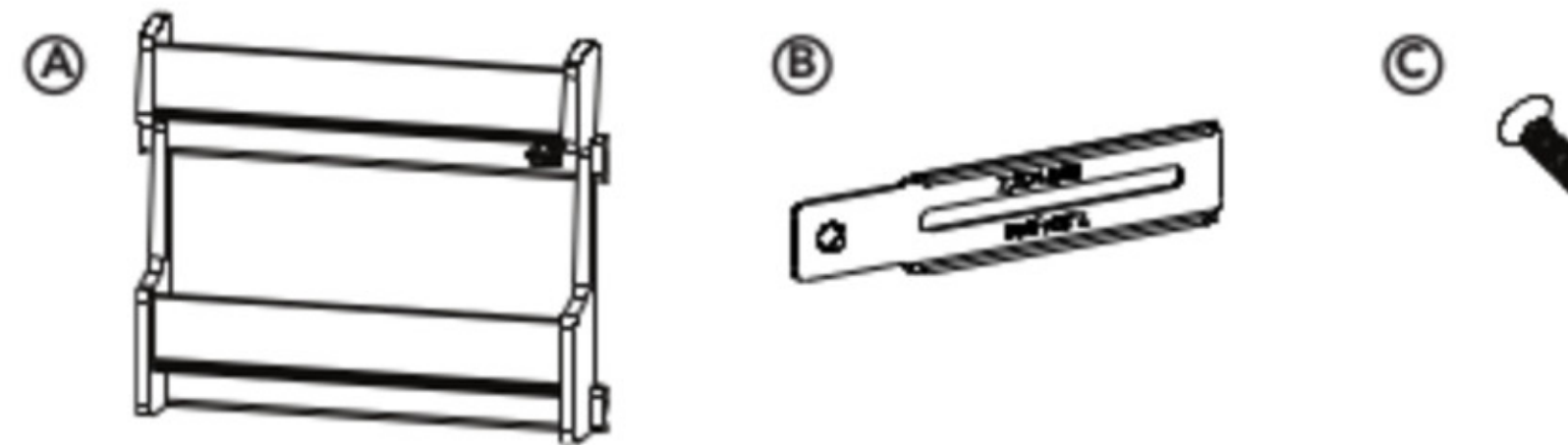


FIGURE 1

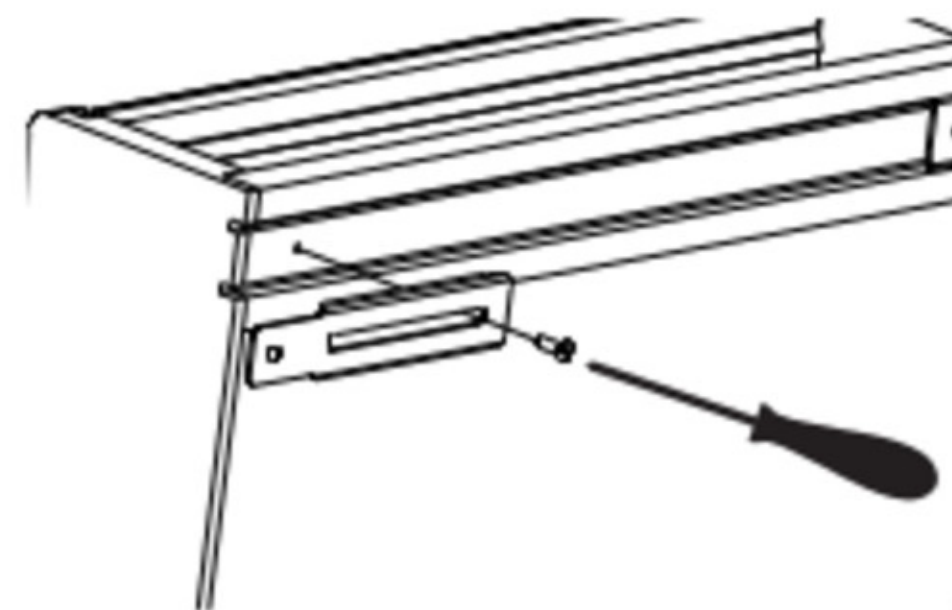


FIGURE 2

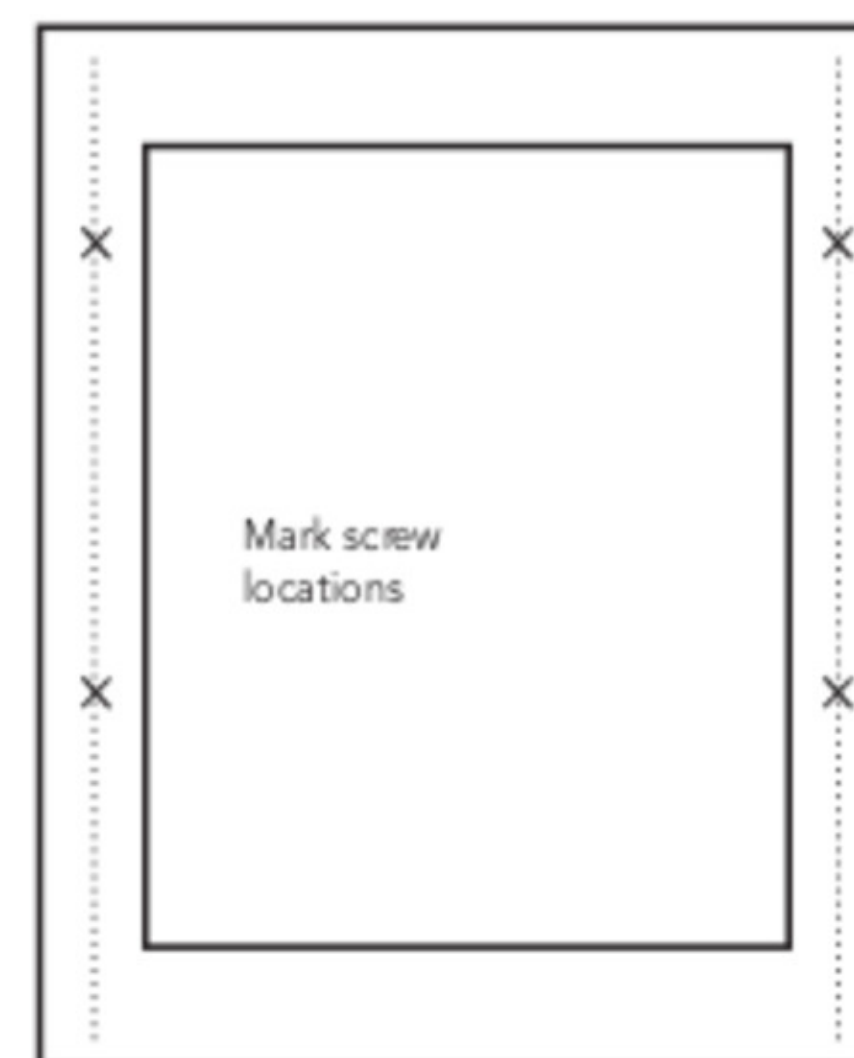


FIGURE 3

