

INSTALLATION INSTRUCTIONS

TRIMMABLE WOOD DRAWER INSERT

TOOLS REQUIRED:



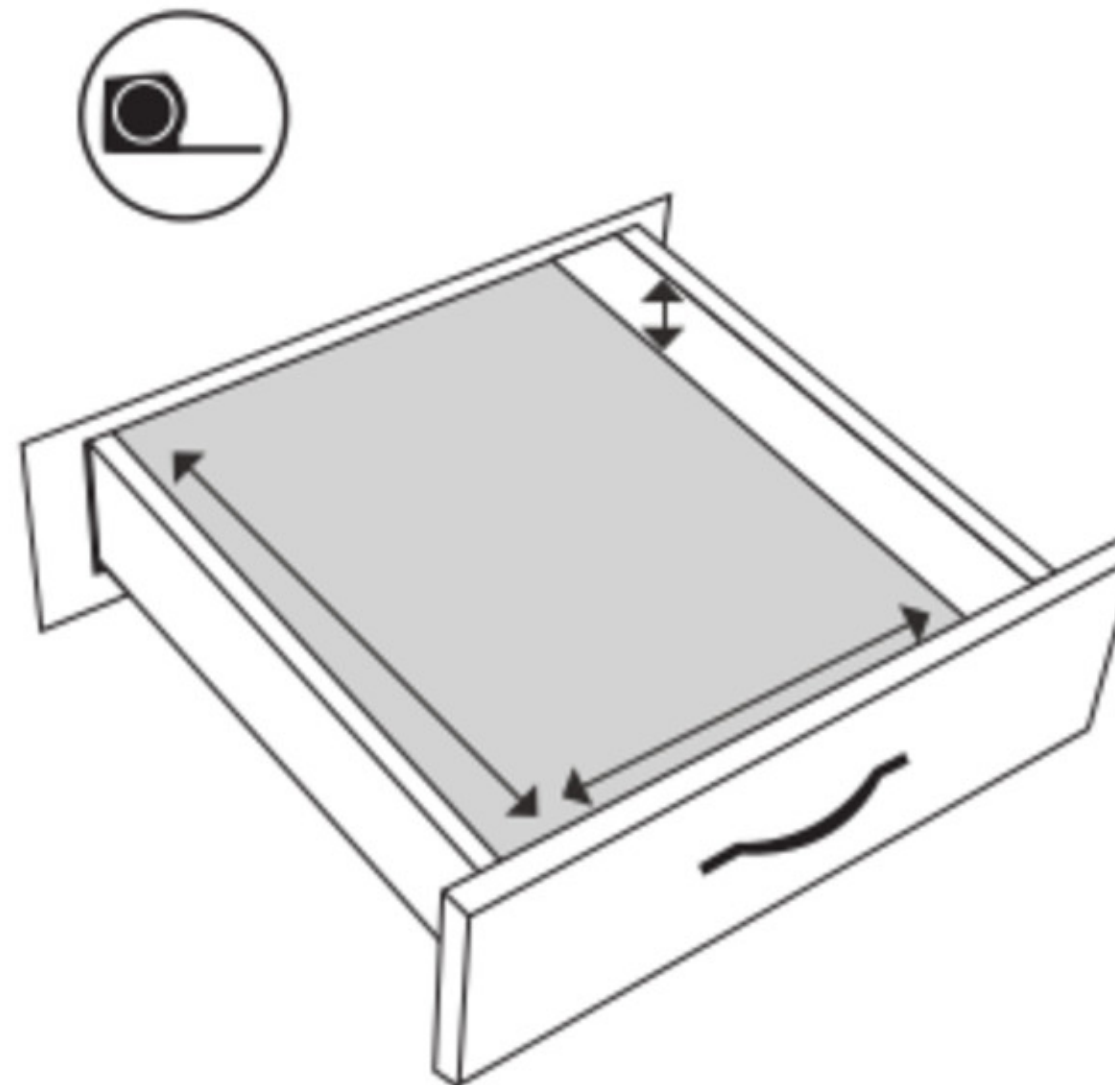
ESTIMATED ASSEMBLY TIME:

15 MIN

CARE AND MAINTENANCE:

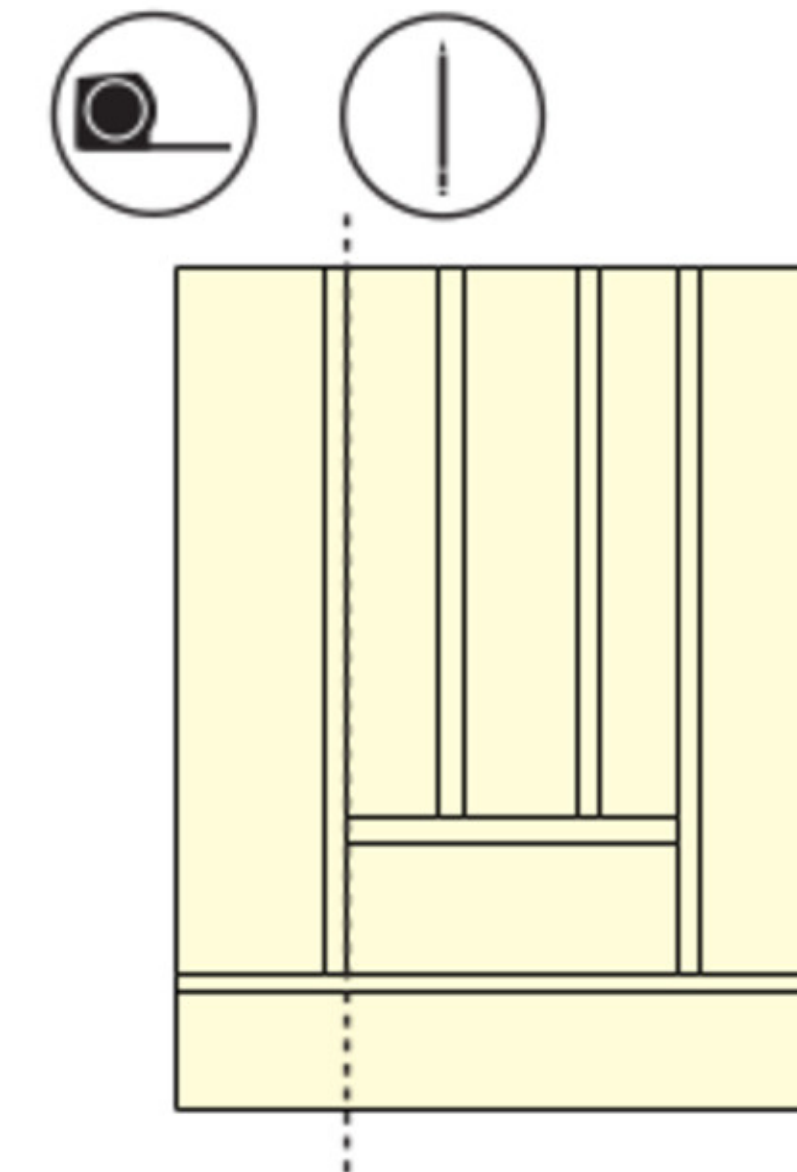
Clean with a damp cloth and wipe parts dry.

1. Measure drawer opening.

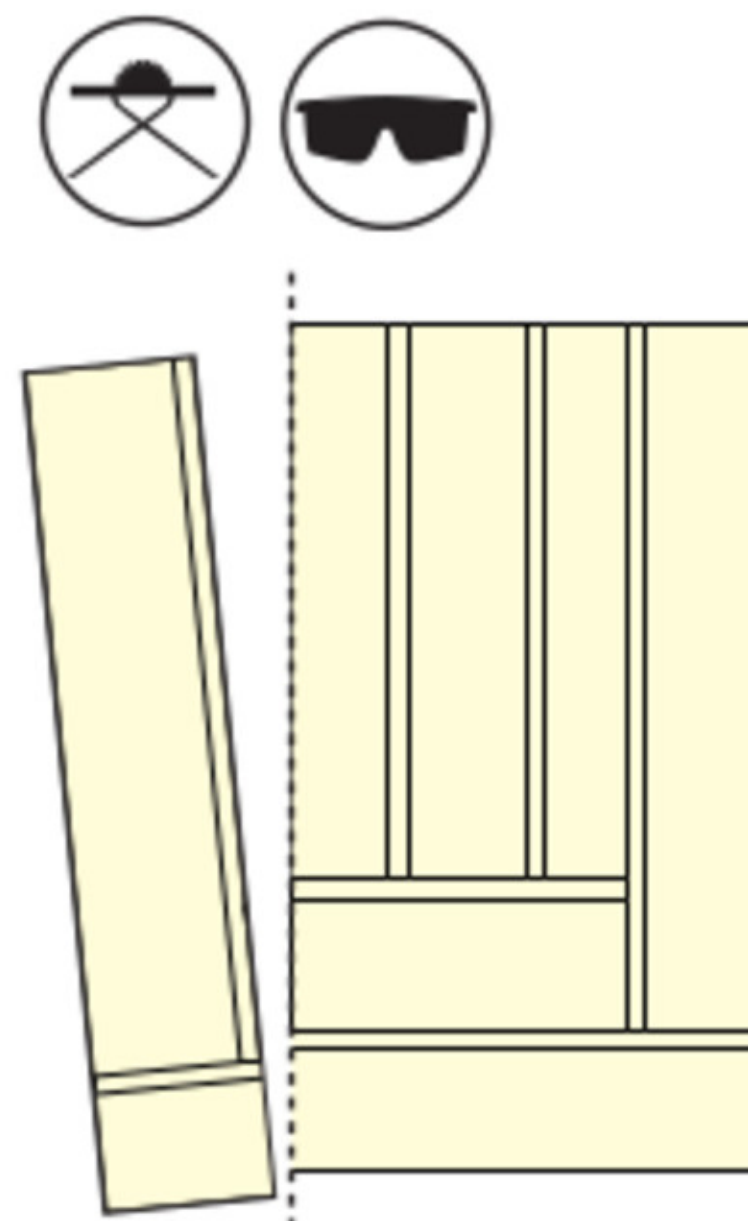


2. Measure insert and mark cutting line.

See next page for special cutting instructions



3. Cut insert to fit inside of drawer.



4. Simply drop in drawer.

