

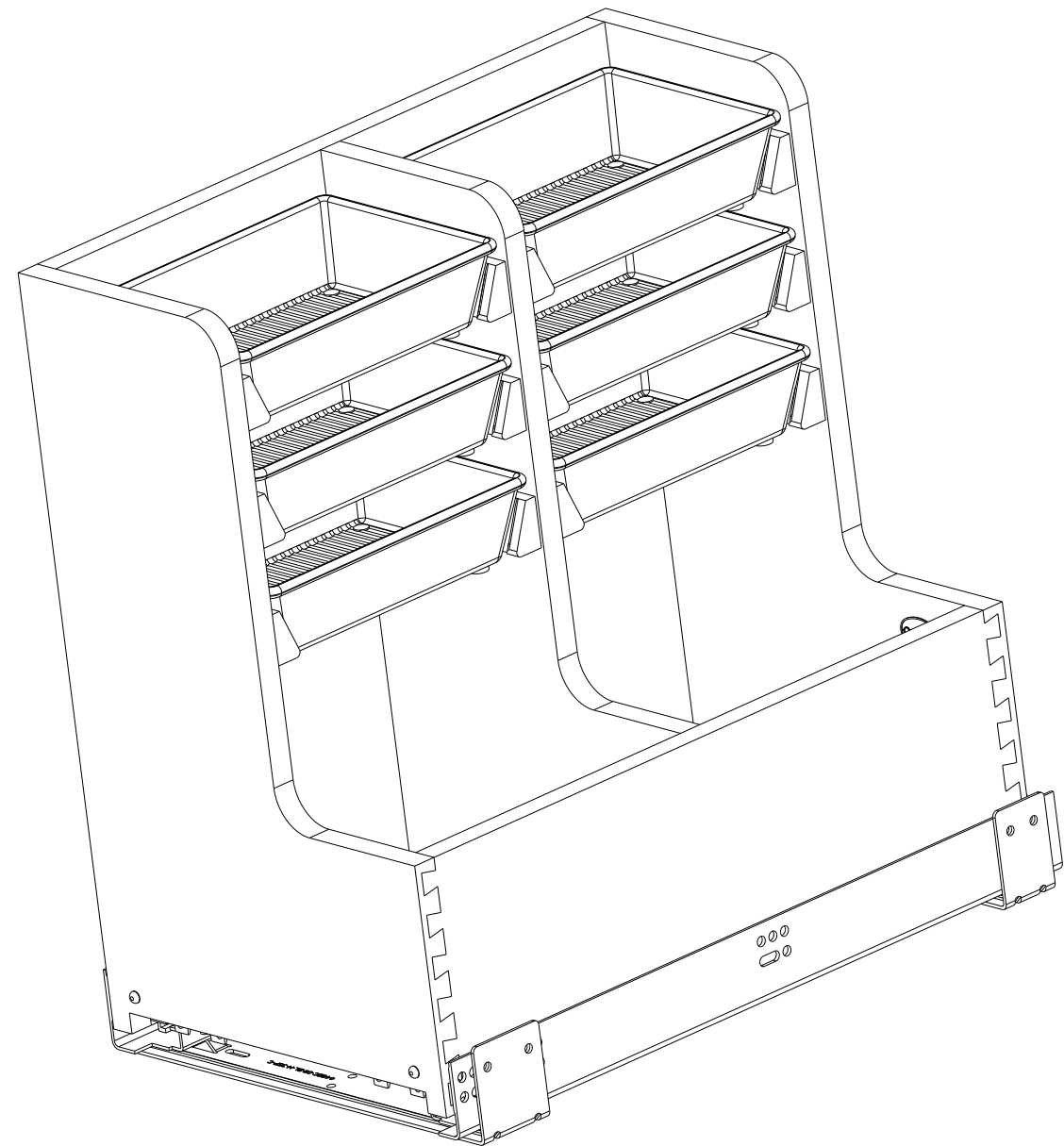
BOTTOM VIEW
SCALE 0.250

CUSTOMER DRAWING

This drawing is the property of Rev-A-Shelf (RAS) and is disclosed in confidence to the extent its subject matter is original to RAS. Any vendor receiving this drawing from RAS shall hold and use this drawing for the sole benefit of RAS and shall not disclose it to, or use or reproduce it for any third party, or perform any act adverse to the interest of RAS with respect to this drawing without the express written permission of RAS. Vendors shall not revise any physical, dimensional or performance characteristic unless authorized by Rev-A-Shelf Engineering.

REV.	DATE	BY	DESCRIPTION OF CHANGE

INCH [MM]	AMERICAN PROJECTION 	BY	DATE	REV-A-SHELF, INC.	
		DRAWN	JMW	1/4/18	SIZE B
TOLERANCES		MATERIAL	DRAWING NO.	SCALE	SHEET OF
MAT.	DEC.		441-15VSBSC-1	0.170	
(WOOD)	.XX ±.03 [8mm]	FINISH	PART NO.	SHEET OF	1 OF 2
(OTHER)	.XX ±.02 [5mm]		441-15VSBSC-1	1	
(ALL)	.XXX ±.005 [13 mm]				
FRACTIONS ±1/32 [8 mm]					



PART DIMENSIONS		
	MIN	MAX
WIDTH	11.39	11.39
DEPTH	18.77	18.77
HEIGHT	18.87	18.87
WEIGHT		
DIAMETER		
RADIUS		
CONTAINER CAPACITY		
CONTAINER UOM		

MIN CABINET OPENING				
	FACE FRAME	FRAMELESS	INSET FACE FRAME	INSET FRAMELESS
WIDTH	12.17	12.17	12.17	12.17
DEPTH	19.50	19.50	20.25	20.25
HEIGHT	19.50	19.50	19.50	19.50

SLIDE SPECIFICATIONS				
SLIDE TYPE	BLUM	SLIDE EXTENSION	FULL	MAX WEIGHT RATING
SLIDE CLOSING	SOFT	SLIDE LENGTH	457MM	
SLIDE MOUNTING	BOTTOM	SLIDE FINISH	ZINC	90 LBS

CUSTOMER DRAWING

This drawing is the property of Rev-A-Shelf (RAS) and is disclosed in confidence to the extent its subject matter is original to RAS. Any vendor receiving this drawing from RAS shall hold and use this drawing for the sole benefit of RAS and shall not disclose it to, or use or reproduce it for any third party, or perform any act adverse to the interest of RAS with respect to this drawing without the express written permission of RAS. Vendors shall not revise any physical, dimensional or performance characteristic unless authorized by Rev-A-Shelf Engineering.

REV.	DATE	BY	DESCRIPTION OF CHANGE

INCH [MM]	AMERICAN PROJECTION 	DRAWN	BY	DATE	REV-A-SHELF, Inc.
		JMW	JMW	1/4/18	
TOLERANCES		MATERIAL	DRAWING NO.		SCALE
MAT. DEC.	ANGLES ±1/2°		441-15VSBSC-1		
(WOOD) .XX ±.03 [.8mm]		FINISH	PART NO.		SHEET OF
(OTHER) .XX ±.02 [.5mm]			441-15VSBSC-1		
(ALL) .XXX ±.005 [.13 mm]					
FRACTIONS ±1/32 [.8 mm]					