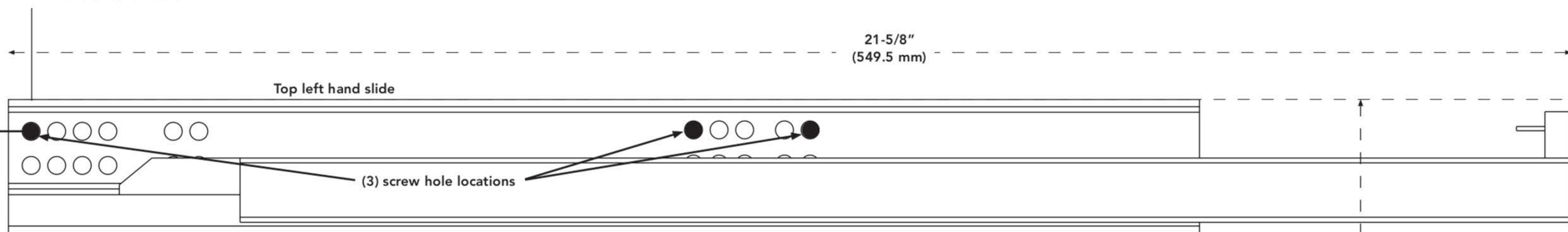
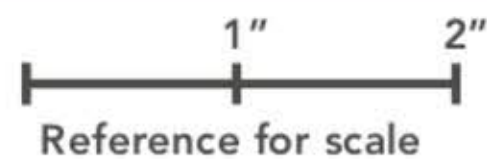


449 BASE ORGANIZER



Left Side: Align edge of paper with edge of cabinet.

TOOLS REQUIRED:

ESTIMATED ASSEMBLY TIME:

20 MIN

CARE AND MAINTENANCE:

Clean with a damp cloth and wipe parts dry.

PARTS LIST

- A. (6) #8 x 5/8" Flat head screws for 1/8" spacer
- B. (6) #8 x 1" Flat head screws for 1/4" spacer
- C. (6) M5X14.5MM Flat head Euro Screws*
- D. (6) M5X20MM Flat head Euro Screws*
- E. (4) #6 x 1/2" Door mounting screws
- F. (6) 1/8" slide side spacer
- G. (6) 1/4" slide side spacer
- H. Double-sided tape

* For use with system holes

Fig. 1

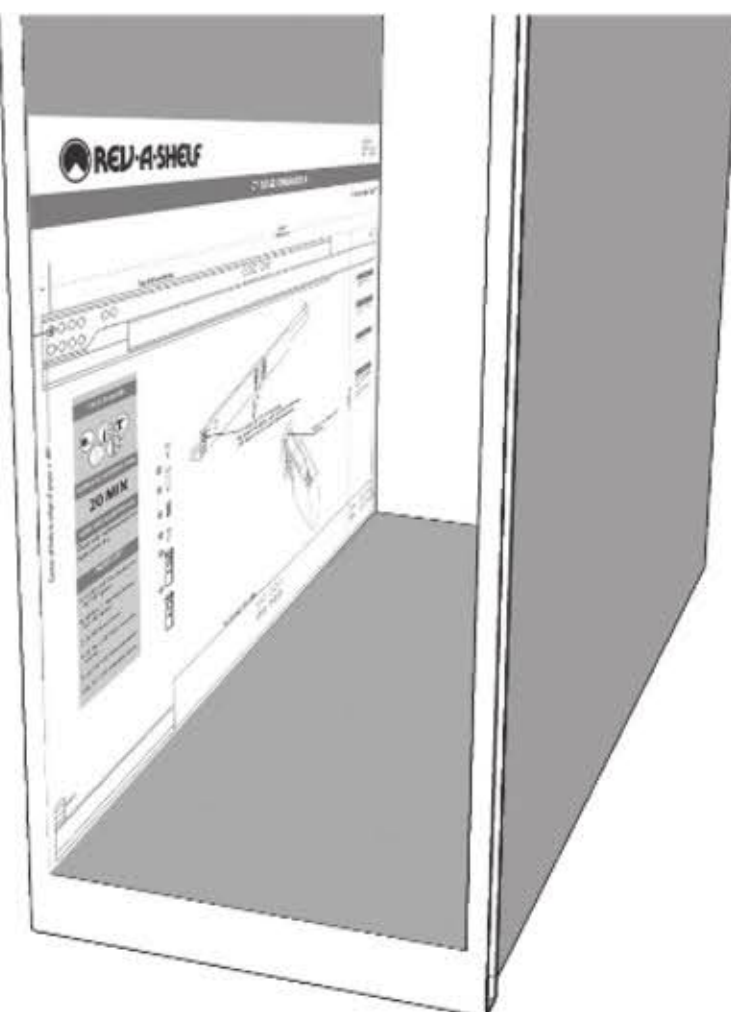
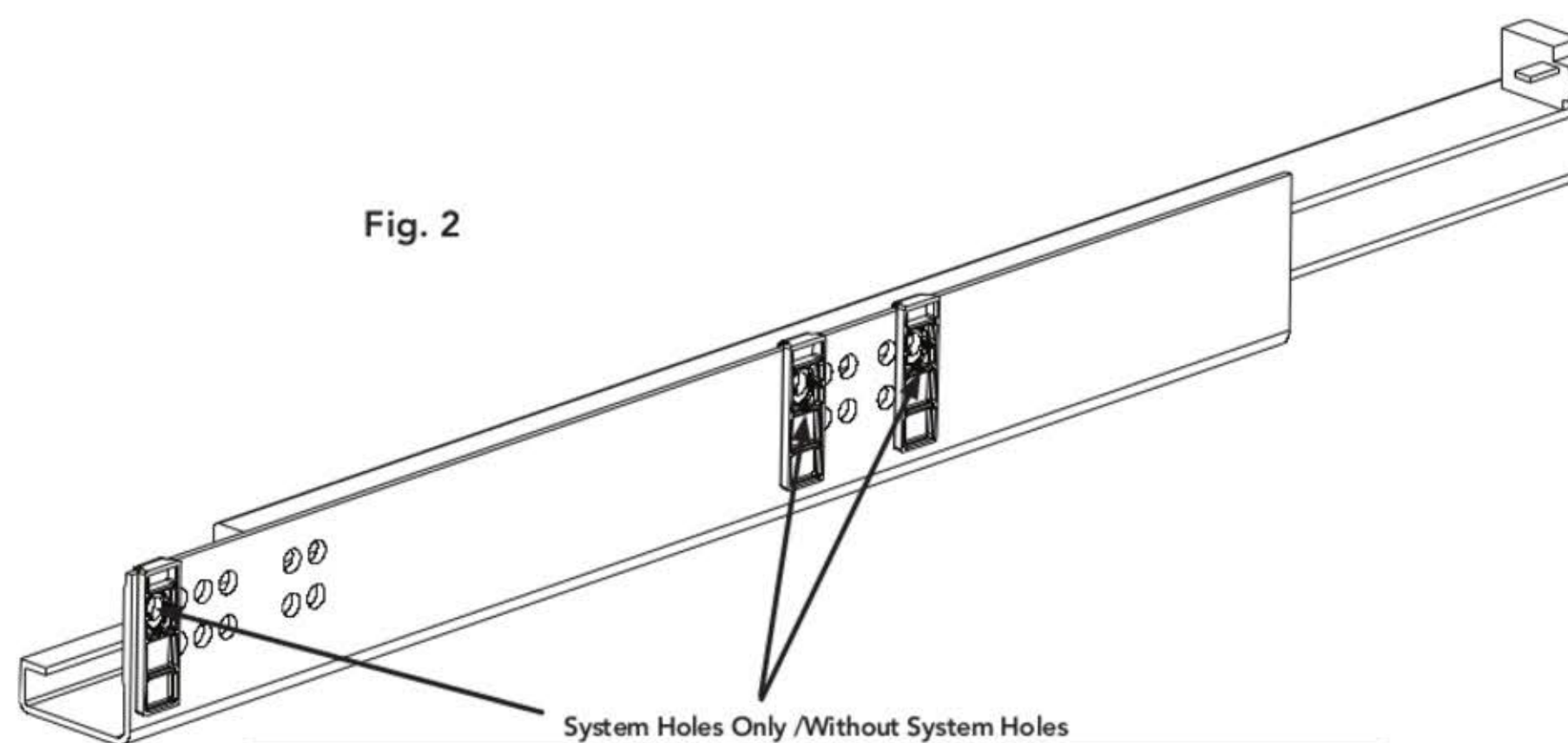


Fig. 2



FRAMELESS SIDE WALL THICKNESS	With System Holes	Without System Holes	CORRESPONDING BLUM SPACER
3/4"	M5 x 11.5MM	#8 x 5/8"	N/A
5/8"	M5 x 14.5MM	#8 x 5/8"	1/8" Spacer
1/2"	M5 x 20MM	#8 x 1"	1/4" Spacer

Fig. 3

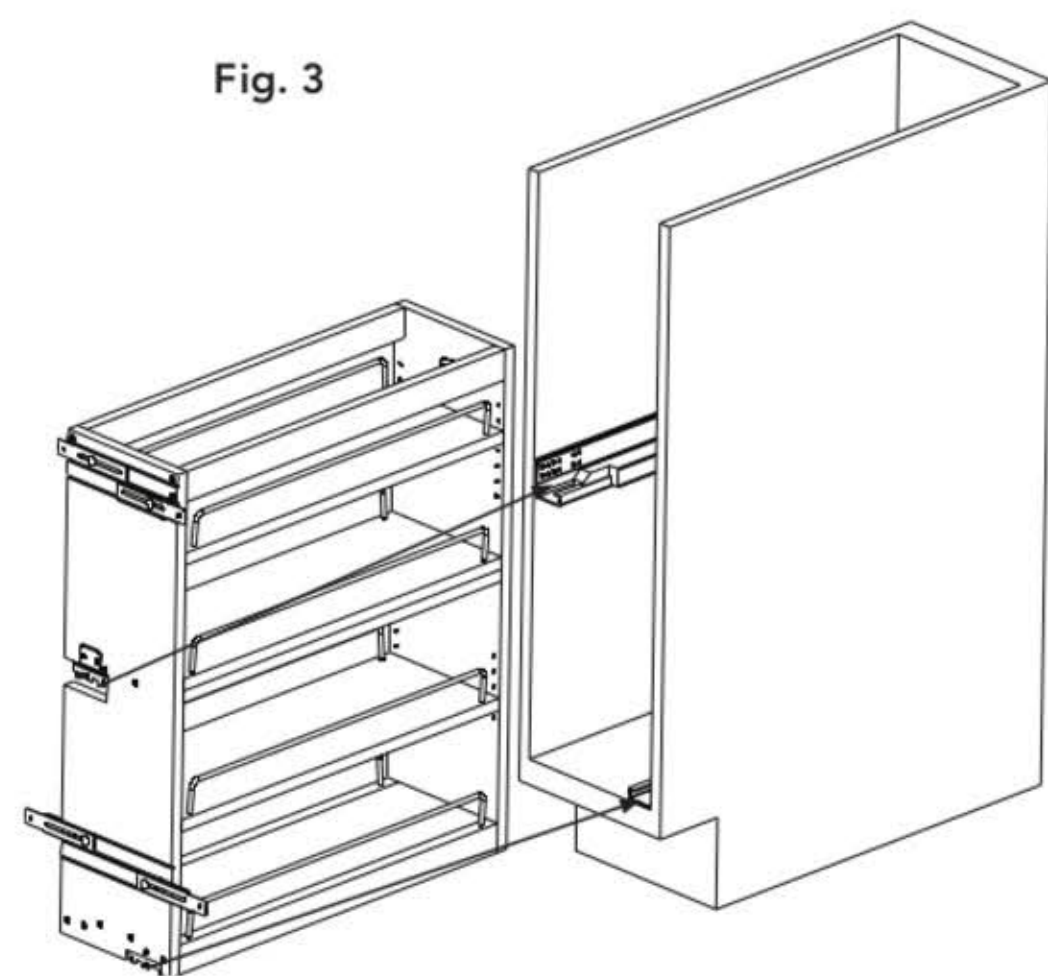
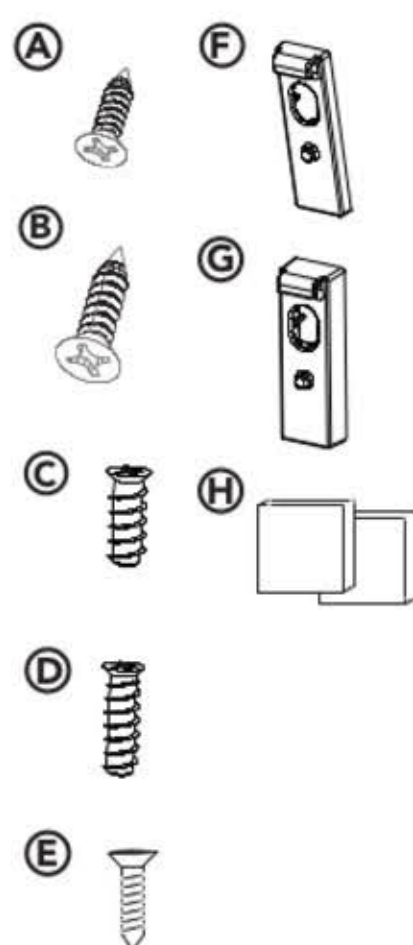


Fig. 4

Slide unit into cabinet and attach door.

14-11/16"
(372.9 mm)

- STEP 1**
- Place template and mark hole locations for the top left hand slide (See Figure 1). Flip the template and do the same for the bottom right hand slide.
- STEP 2**
- Attach slides to side and bottom of cabinet using (6) corresponding flat head screws (See Figure 2).
- STEP 3**
- Attach unit to slides (See Figure 3).
- STEP 4**
- Slide the unit into the cabinet and attach door using (4) #6 x 1/2" flat head screws (See Figure 4).
- Note: Align adjustable mounting brackets to the thickest portion of the door. Double-sided tape may be used.

Right Side: Align edge of paper with edge of cabinet.

