

53TM SERIES STAINLESS STEEL TOP MOUNT WASTE CONTAINER

TOOLS REQUIRED: 	ESTIMATED ASSEMBLY TIME: 20 MIN WATCH TUTORIALS OF OUR PRODUCTS BEING INSTALLED  WWW.REV-A-SHELF.COM/VIDEOS	CARE AND MAINTENANCE: CLEAN WITH A DAMP CLOTH AND WIPE PARTS DRY
---	--	---

Parts List		
No.	Description	Qty
1	Metal Box	1
2	Lid	1
3	Slides	2
4	Slide Covers	2
5	Lid Holders	2
6	Door Mounting Brackets	2
7	Door Mounting Covers	2
8	Plugs	4
9	Waste Bins	2
10	#8x1/2" Pan Head Screws	12
11	#8x5/8" Flathead Screws	8
12	M4x5 Machine Screws	4
13	#6x1/2" Flathead Screws	6
14	1/4-28x1/2" Machine Screws	2

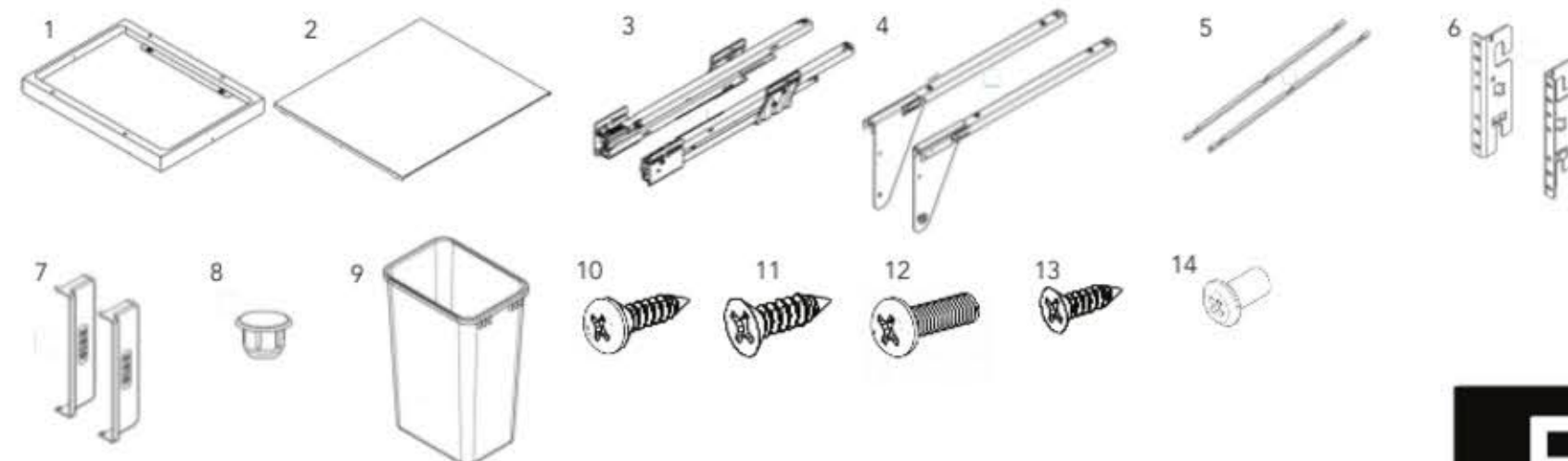
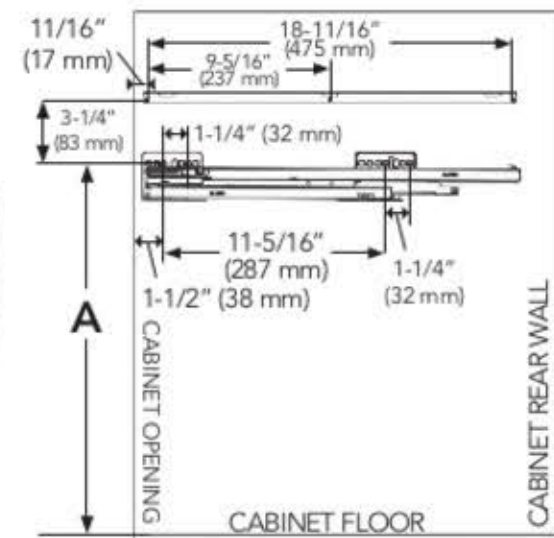


FIGURE 1



STEP 1

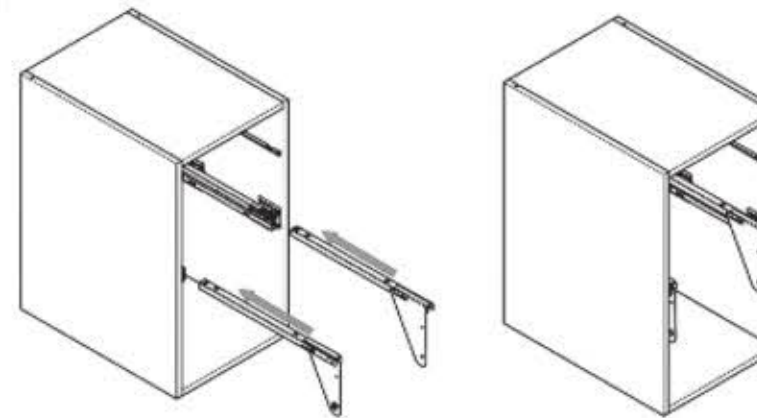
Place template and mark hole locations for the left hand slide. Then attach each lid holder using (3) #8x1/2" pan head screws and each slide using (4) #8x5/8" flathead screws (See Figure 1). Flip the template and do the same for the right hand slide.



STEP 2

Place the slide covers over the slides (See Fig 2).

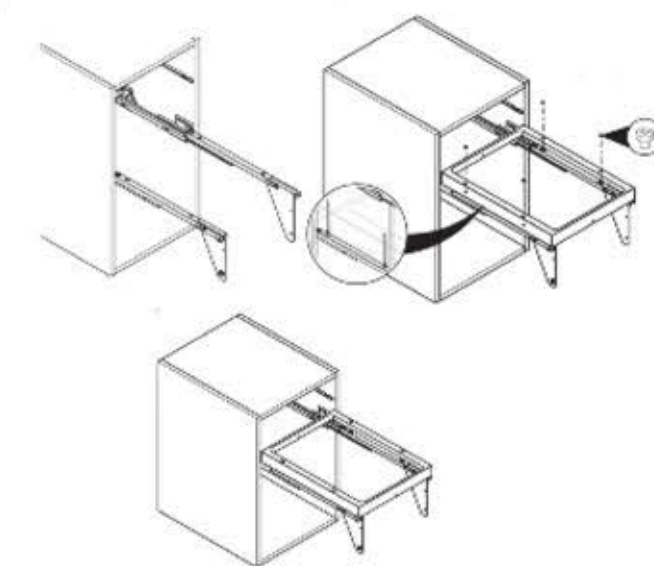
FIGURE 2



STEP 3

Extend the slides and mount the metal box using the (4) M4x5 machine screws (See Fig 3).

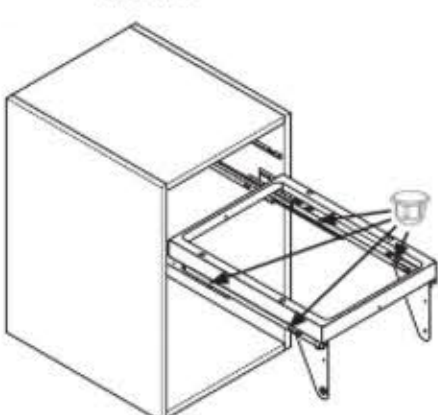
FIGURE 3



STEP 4

Place the (4) plugs over the cylindrical screws (See Fig 4).

FIGURE 4



STEP 5

Mark and pre-drill mounting holes using measurements in figures 5 and 6. Attach door mounting brackets using (6) #6x1/2" flathead screws.

FIGURE 5

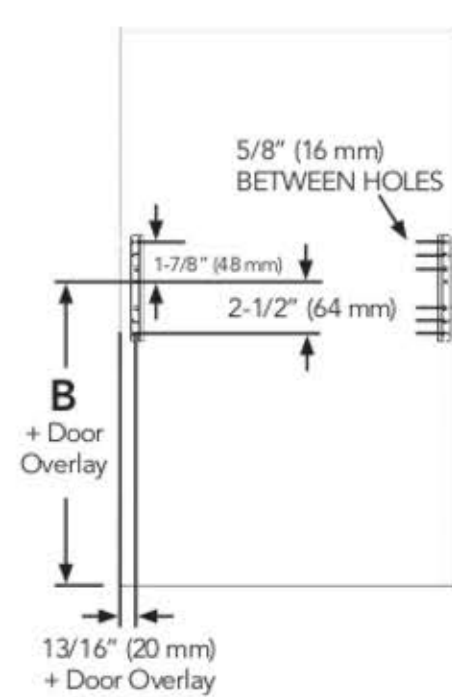
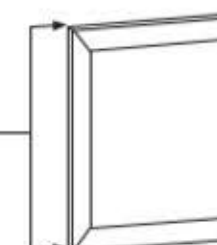


FIGURE 6

HOW TO DETERMINE YOUR DOOR OVERLAY:

Measure Opening Height _____
 Measure Door Height _____
 Height Difference _____
 Divide Difference by 2 = Overlay

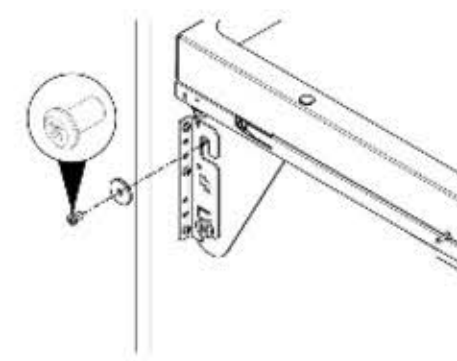


Part Number	B
53TM-1835GSCDM2-FL	10-7/8" (277 mm)
53TM-1850GSCDM2-FL	14-7/8" (378 mm)
53TM-18GSCDM3-FL	11-1/8" (282 mm)
53TM-24GSCDM4-FL	11-11/16" (297 mm)

STEP 6

Align the door brackets to the slide covers and attach with (2) 1/4-28x1/2" machine screws and washers (See Fig 7).

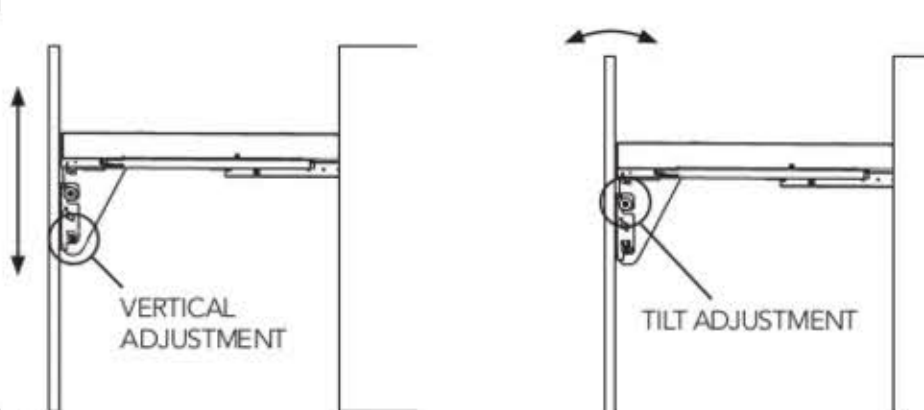
FIGURE 7



STEP 7

Adjust the door using the adjustment screws (See Fig 8) until the door is centered and flush with your frame.

FIGURE 8

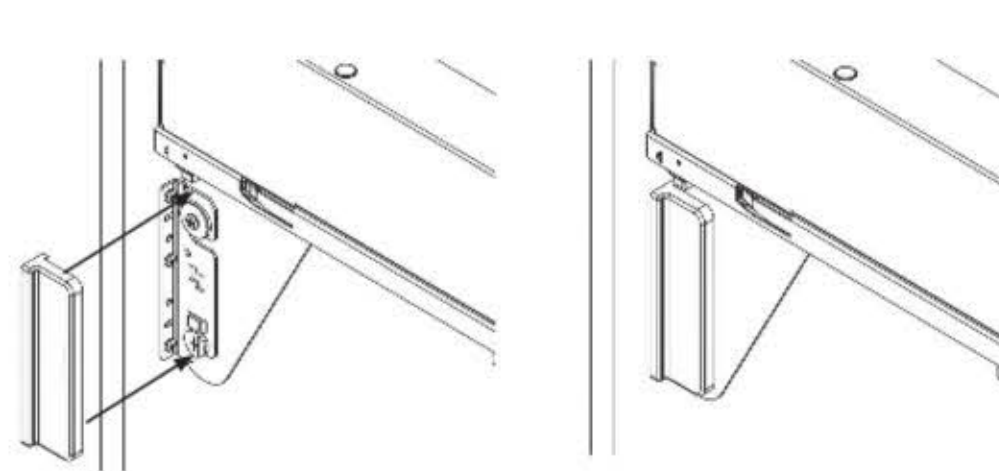


35qt BINS

STEP 8

Place the door mount covers over the door mount brackets (See Fig 9).

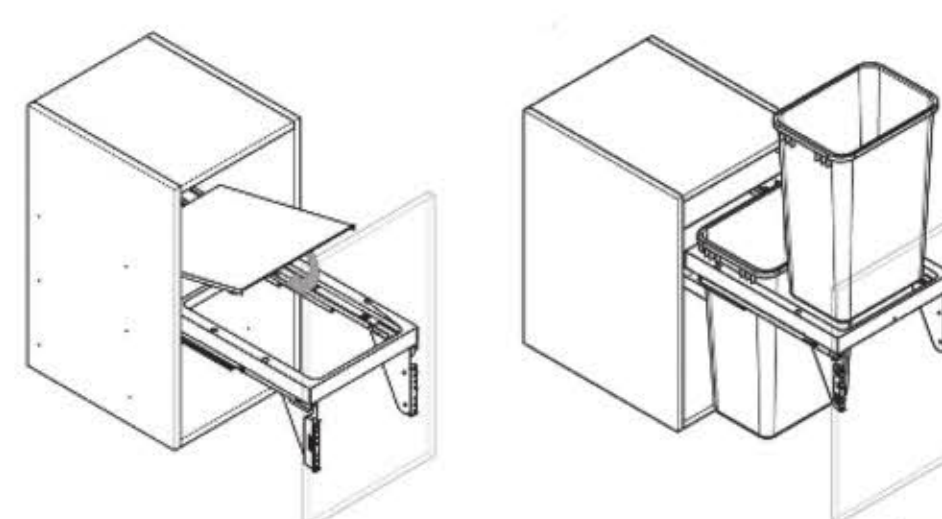
FIGURE 9



STEP 9

Place the lid on the holders and insert waste bins. (See Fig 10).

FIGURE 10



50qt BINS