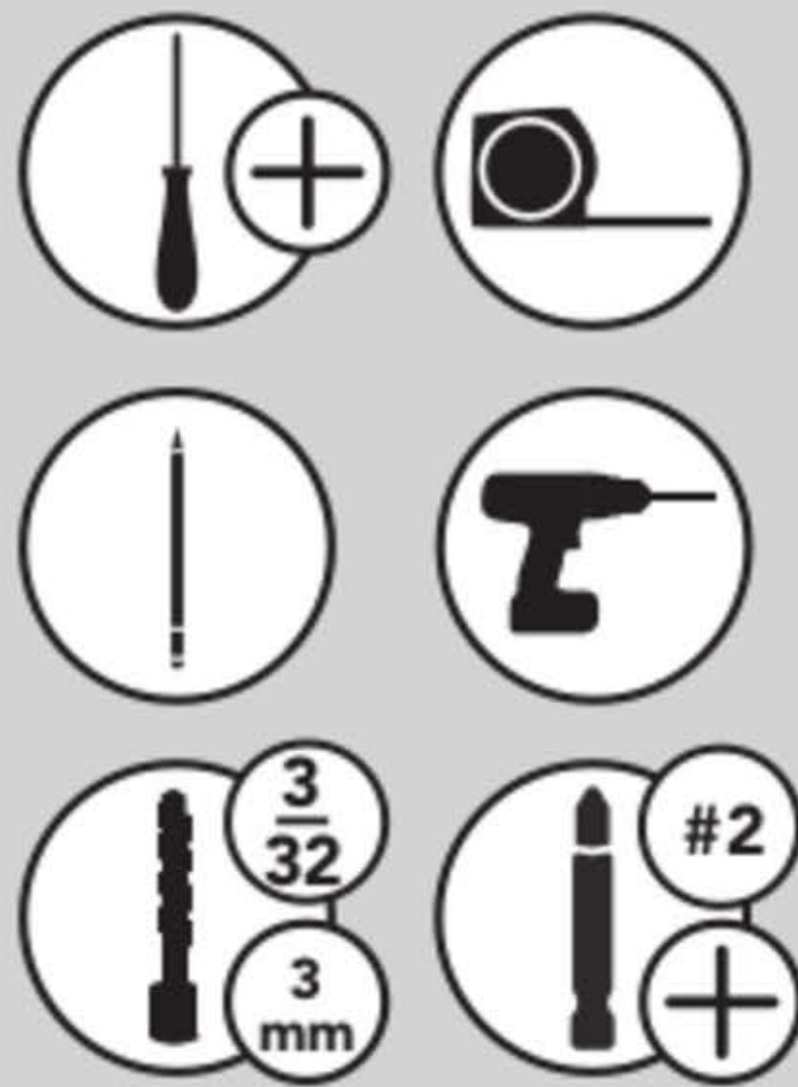


INSTALLATION INSTRUCTIONS

5330/5386 SERIES PULLOUT BASKET WITH SOFT-CLOSE

TOOLS REQUIRED:



ESTIMATED ASSEMBLY TIME:

30 MIN

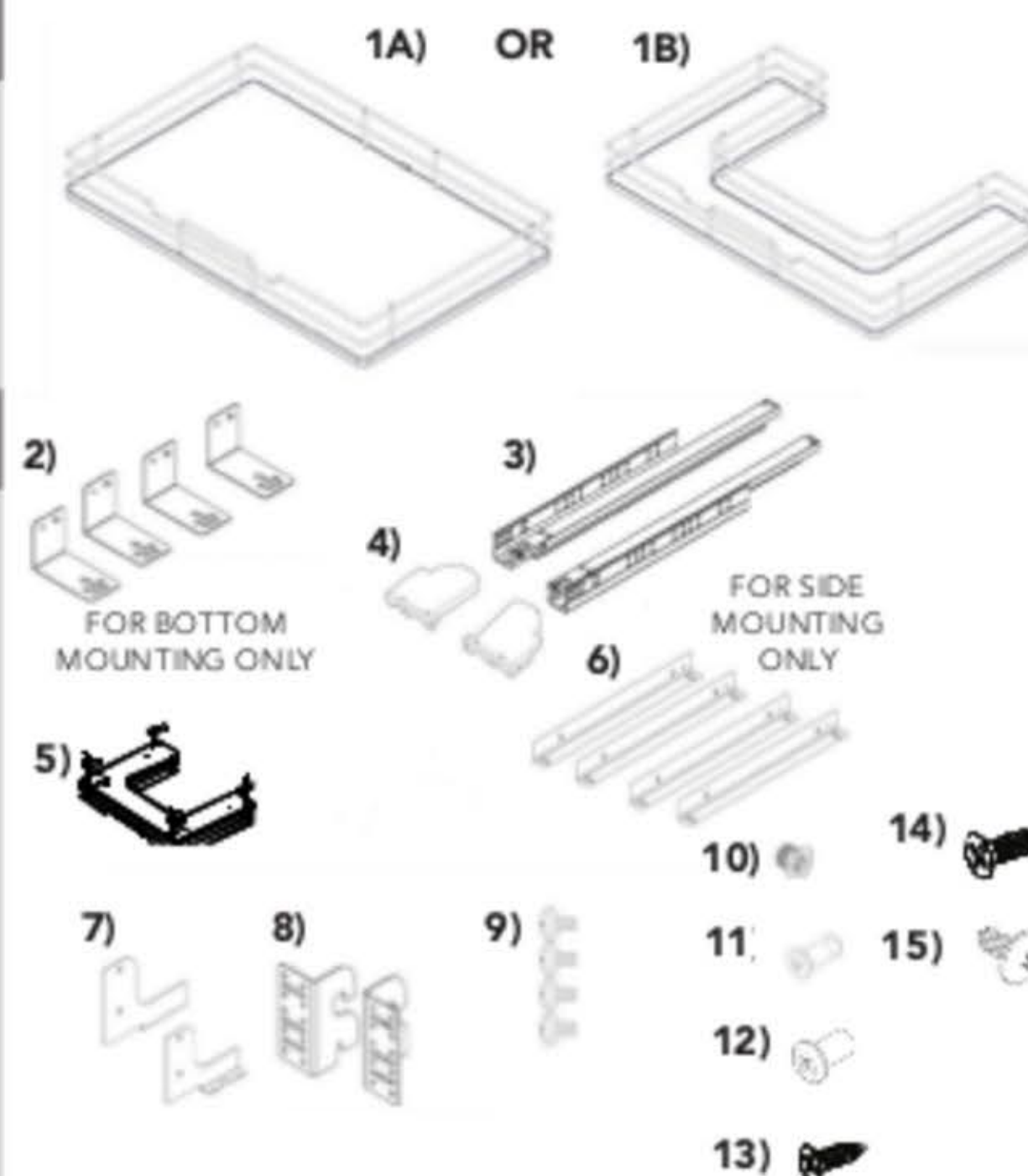
CARE AND MAINTENANCE:

Clean with a damp cloth and wipe parts dry.

WATCH TUTORIALS OF OUR PRODUCTS BEING INSTALLED



WWW.REV-A-SHELF.COM/VIDEOS



Parts List

No.	Description	Qty
1A	Solid Bottom Basket	1
1B	Solid Bottom U-Shaped Basket	1
2	Bottom Mount Brackets	4
3	Slides	2
4	Release Levers	2
5	Rear Slide Brackets	2
6	Side Mount Brackets	4
7	Mounting Brackets	2
8	Door Mounting Brackets	2
9	M4x6 Machine Screws	8
10	M4x10 Machine Screws	12
11	Euro Screws	4
12	1/4-20x1/2" Screws	4
13	#6x1/2" Flathead Screws	6
14	#6x3/4" Flathead Screws	4
15	#8x5/8" Truss Head Screws	8

FOR BOTTOM MOUNTING, PROCEED TO PAGE 2
FOR SIDE MOUNTING, PROCEED TO PAGE 3