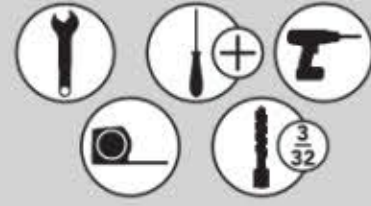


8" 5322 BASE ORGANIZER

TOOLS REQUIRED:



ESTIMATED ASSEMBLY TIME:

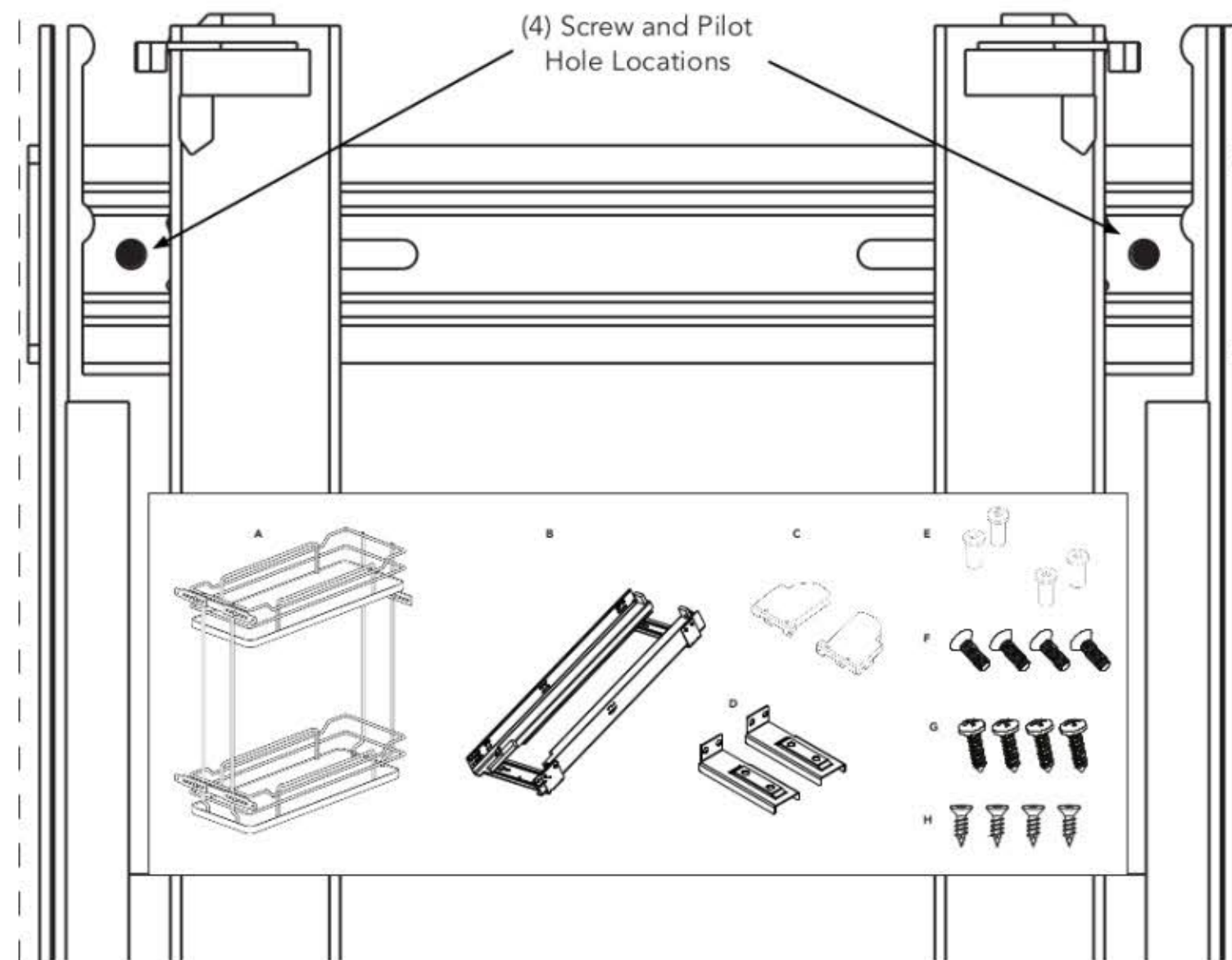
30 MIN

CARE AND MAINTENANCE:

Clean with a damp cloth and wipe parts dry.

PARTS LIST

A- Frame assembly
B- Slide assembly
C- Release levers
D- Rear slide catches
E- (4) Euro screws
F- (4) #6x 5/8" Flat head screws
G- (4) #8x 3/4" Pan head screws
H- (4) #6 x 1/2" Flat head screws
(for door mounting)



- 1) Using the mounting template locations, pre-drill (4) holes using a 3/32" drill bit.
- 2) Secure the slide assembly to the floor of the cabinet using (4) #8x3/4" pan head deep thread screws.
- 3) Assemble release levers using (4) #6x5/8" flat head screws and rear slide catch using (4) Euro screws (Fig. 1).
- 4) With the slides in the fully closed position, the pullout chassis can now be fully inserted into the cabinet. When the unit is pushed to the fully closed position, the front release levers will engage the slides and the unit can be fully cycled.
- 5) Loosen the (2) lock nuts at the back of the unit to allow the rear stop to float freely (Fig. 2). Move the rear stop until it catches the rear of the face frame (if frameless application, a block may need to be added to allow the stop work properly). Once the rear stop is in the correct position, the lock nuts can be tightened and bumpers can be added to the front of the stops.

ATTACHING THE CABINET DOOR

- 1) With an 8 mm wrench, loosen the (4) lock nuts located inside the front wall of the unit (Fig. 3).
- 2) Adjust the door mount brackets to ensure you are mounting to the thick portion of the cabinet door (the front of the unit should be lined up with the front of the face frame).
- 3) Using (4) #6x1/2" flat head screws, attach the door to the pullout unit.
- 4) If the door needs to be adjusted sideways, loosen the (4) lock nuts and adjust the door (Fig. 4).
- 5) See (Fig. 5 and 5A) for tilt and height adjustment.

Install rub bushings using enclosed kit and instructions.
(Chassis may need to be removed for proper installation)

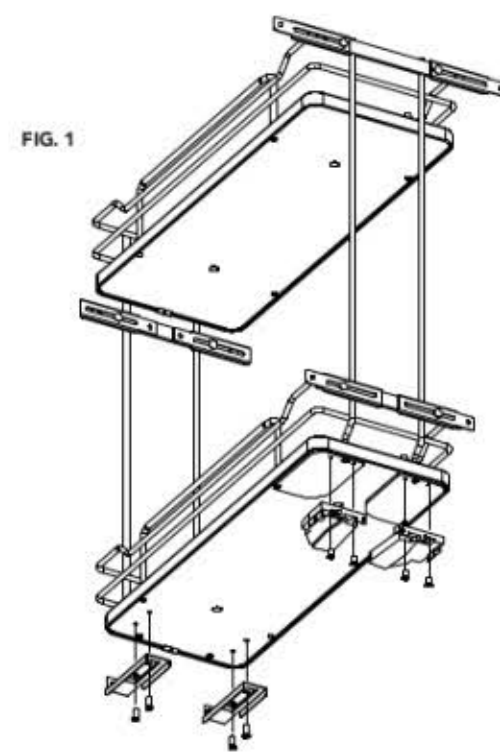


FIG. 1A

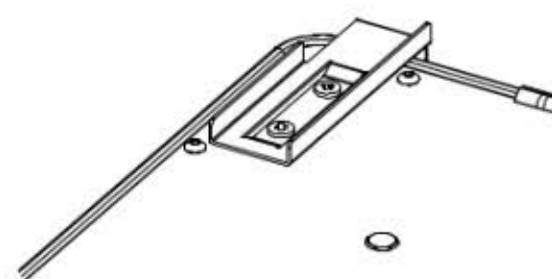
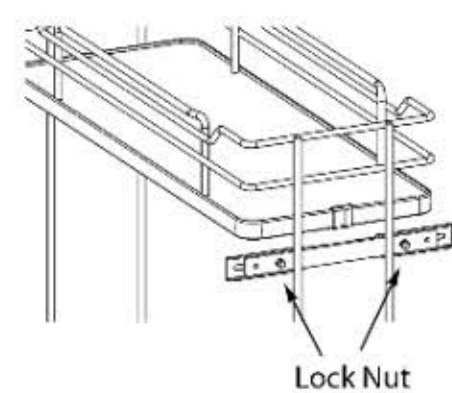


FIG. 2



Lock Nut

FRONT EDGE OF PAPER TO FRONT OF EDGE OF CABINET OPENING OR FRONT OF FACE FRAME.
IF INSTALLING IN INSET DOOR APPLICATION, MOVE TEMPLATE BACK THE THICKNESS OF THE DOOR.

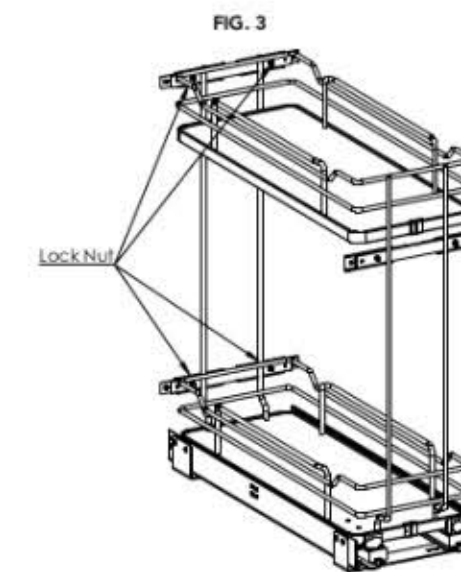
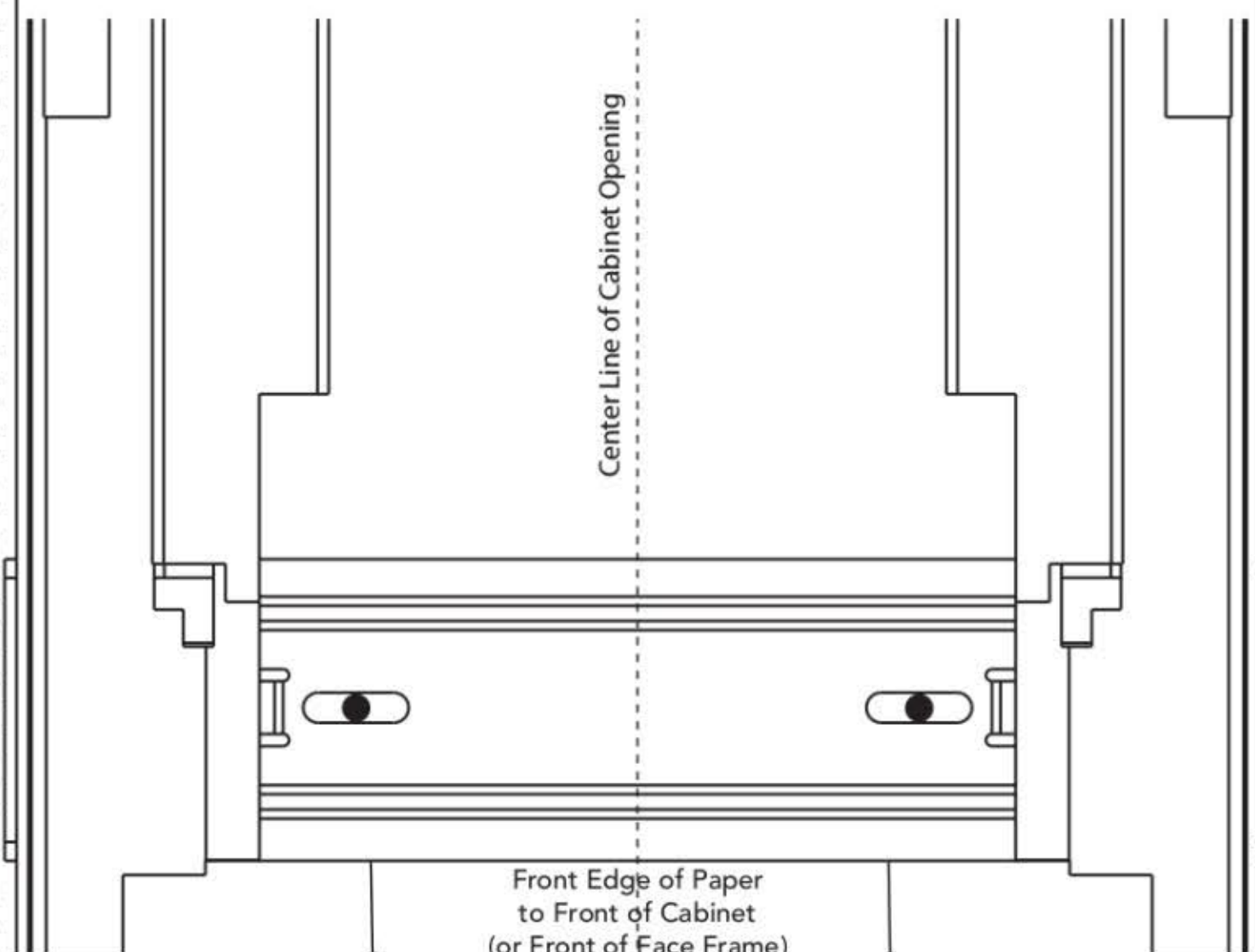


FIG. 3

Lock Nut

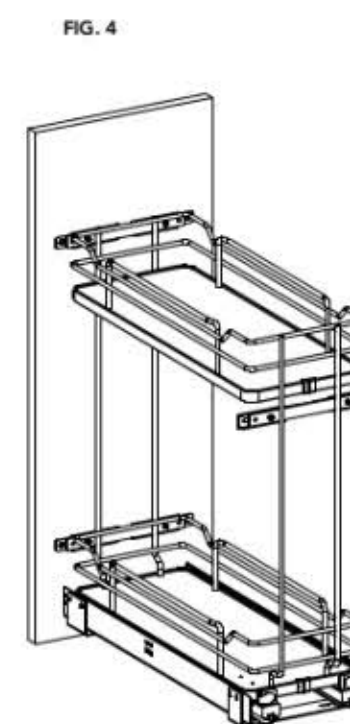


FIG. 4

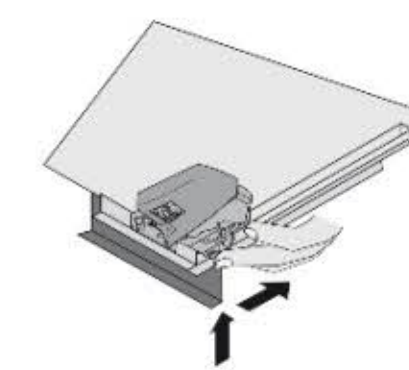


FIG. 5

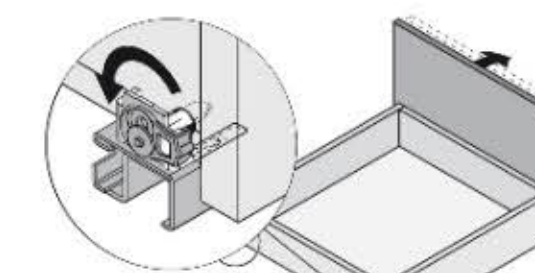


FIG. 5A

FOLD ALONG DOTTED LINES TO FIT INTO CABINET