



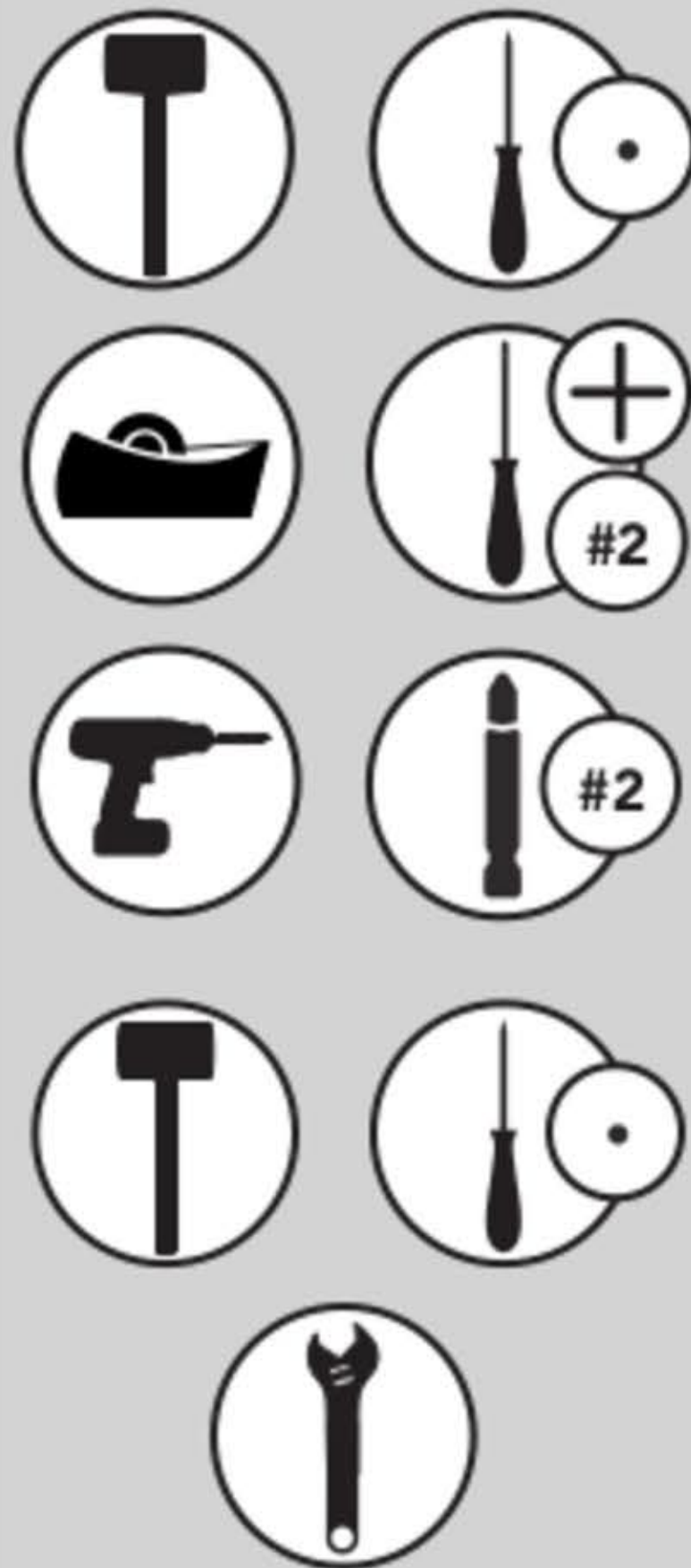
12400 Earl Jones Way
Louisville, KY 40299
rev-a-shelf.com
Customer Service: 800-626-1126



INSTALLATION INSTRUCTIONS

THE CLOUD: BLIND CORNER ORGANIZER

TOOLS REQUIRED:



ESTIMATED ASSEMBLY TIME:

SINGLE TRAY APPLICATION
30 MIN

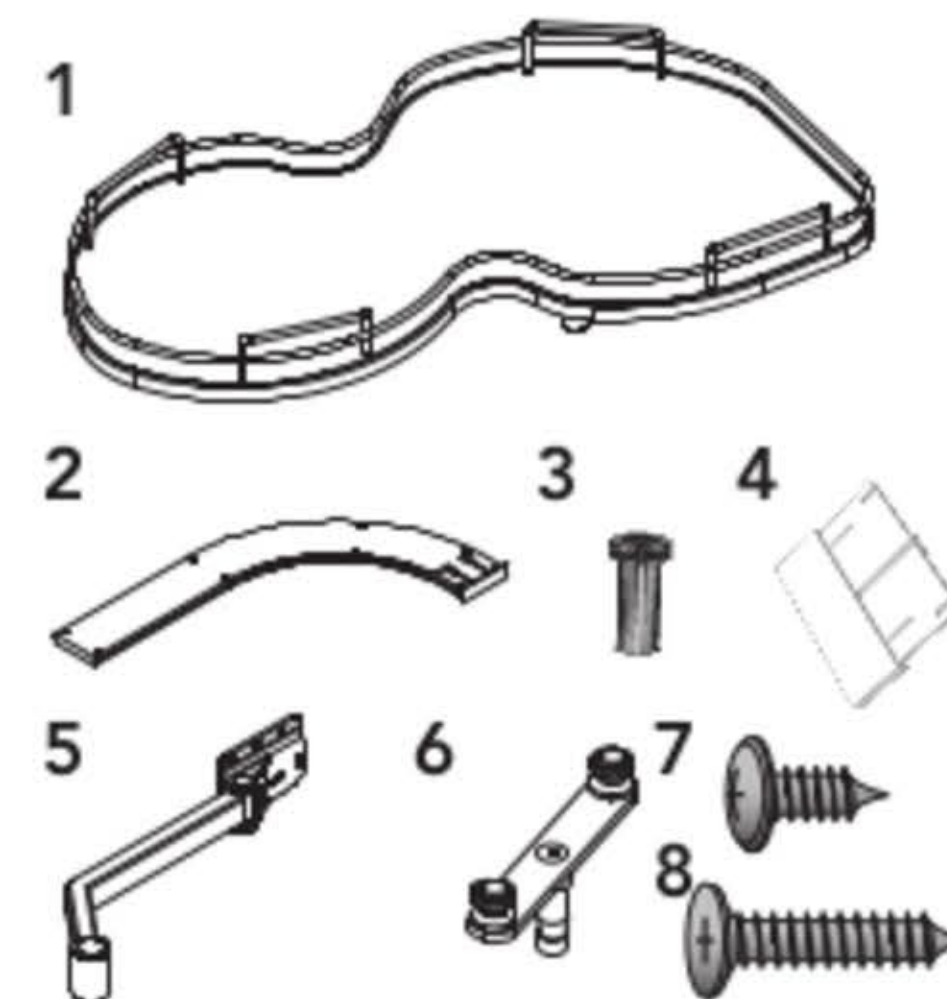
DOUBLE TRAY APPLICATION
60 MIN

CARE AND MAINTENANCE:

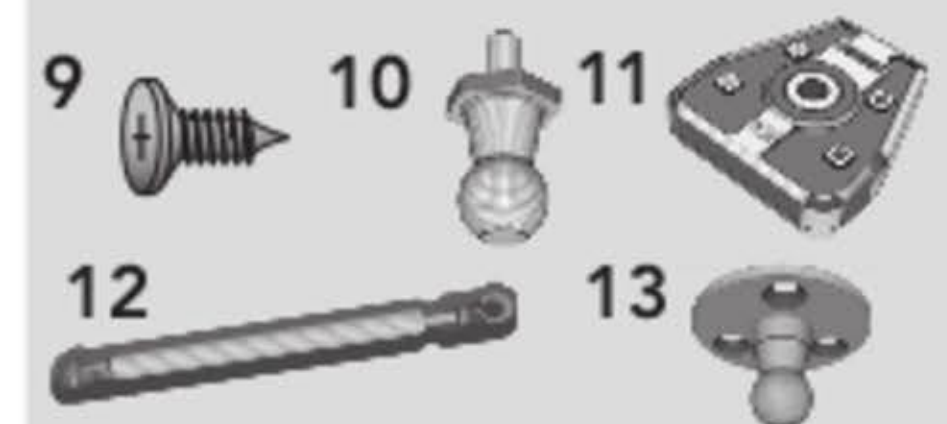
Clean with a damp cloth and wipe parts dry.



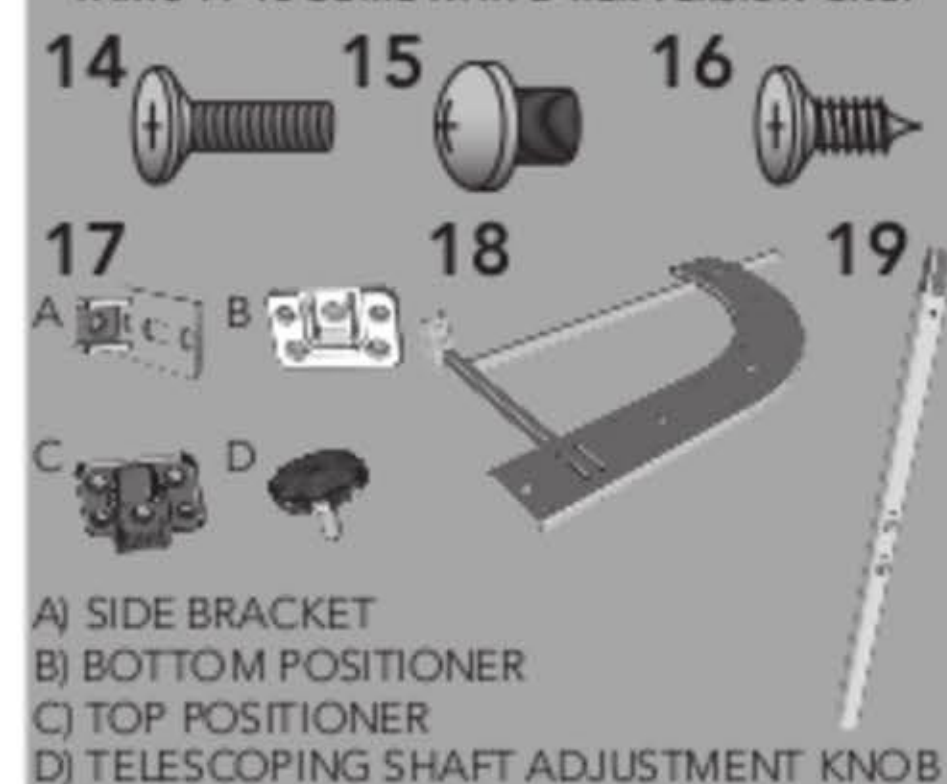
Parts List		Sgl Tier	2-Tier
No.	Description	Qty	Qty
1	Cloud Tray	1	2
2	Guide Track	1	2
3	Support Arm Plastic Cap	1	2
4	Plastic Tray Stop	2	4
5	Support Arm	1	2
6	Pivot Guide	1	2
7	Support Arm Screws	6	12
8	Guide Track Wood Screws	14	14
9	Soft-Close Ball Stud Screws	3	6
10	Support Arm Ball Stud	1	2
11	Support Arm Soft Close Piece	1	2
12	Soft-Close Piston	1	2
13	Soft-Close Tray Ball Stud	1	2
14	Guide Track Machine Screws	N/A	14
15	Top Shelf Support Pivot Screw	N/A	1
16	Side Bracket/Positioner Screws	N/A	17
17	2-Tier Hardware Set	N/A	1
18	2-Tier Top Shelf Support	N/A	1
19	Telescoping Shaft	N/A	1



PARTS 7-10 COME WITH SOFT-CLOSE
HARDWARE BOX (SOLD SEPARATELY)



PARTS 11-16 COME WITH 2-TIER VERSION ONLY



A) SIDE BRACKET
B) BOTTOM POSITIONER
C) TOP POSITIONER
D) TELESCOPING SHAFT ADJUSTMENT KNOB

NOTE:

THIS PRODUCT HAS 3 CONFIGURATIONS THAT HAVE SEPARATE INSTALLATION REQUIREMENTS. DETERMINE WHERE TO BEGIN YOUR INSTRUCTIONS BELOW:
SINGLE TIER VERSION – BEGIN ON PAGE 2
DOUBLE SINGLE TIER VERSION – BEGIN ON PAGE 4
TWO-TIER VERSION – BEGIN ON PAGE 6

NOTE:

FOR FACE FRAME CABINET APPLICATIONS, YOU WILL NEED A WOODEN PIECE TO SCAB OUT THE SIDE WALL OF THE CABINET, MAKING IT FLUSH WITH THE CABINET OPENING SO THE SUPPORT ARM CAN BE PROPERLY INSTALLED. (DETAILS INSIDE)