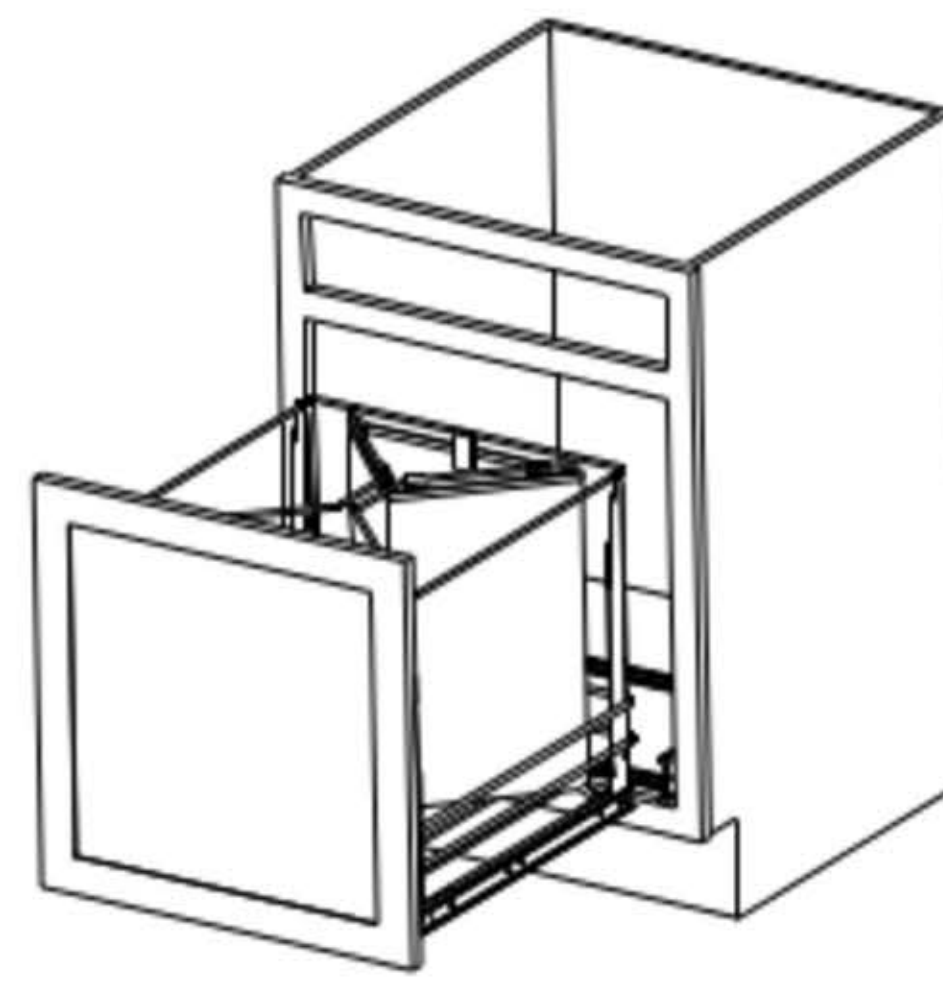




12400 Earl Jones Way • Louisville, KY 40299  
800.626.1126  
www.rev-a-shelf.com

## INSTALLATION INSTRUCTIONS



### TOOLS REQUIRED:



### ESTIMATED ASSEMBLY TIME:

**20 MIN**

### CARE AND MAINTENANCE:

Clean with a damp cloth and wipe parts dry.

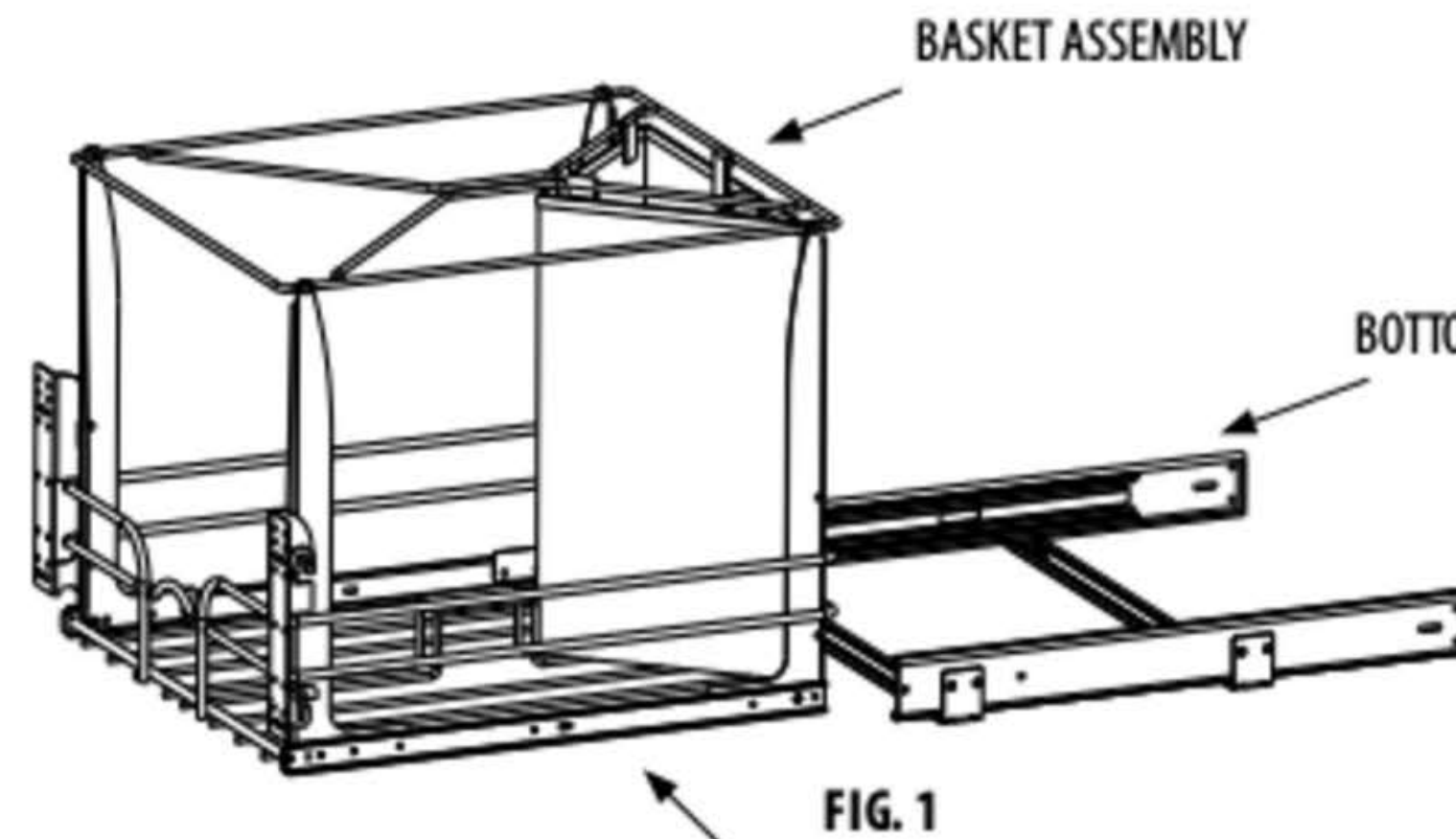


FIG. 1

STEP 1) DISENGAGE WIRE BASKET ASSEMBLY BY DEPRESSING THE TRIGGER AND PULLING SLIDE AWAY FROM THE BASKET. (FIG. 1)

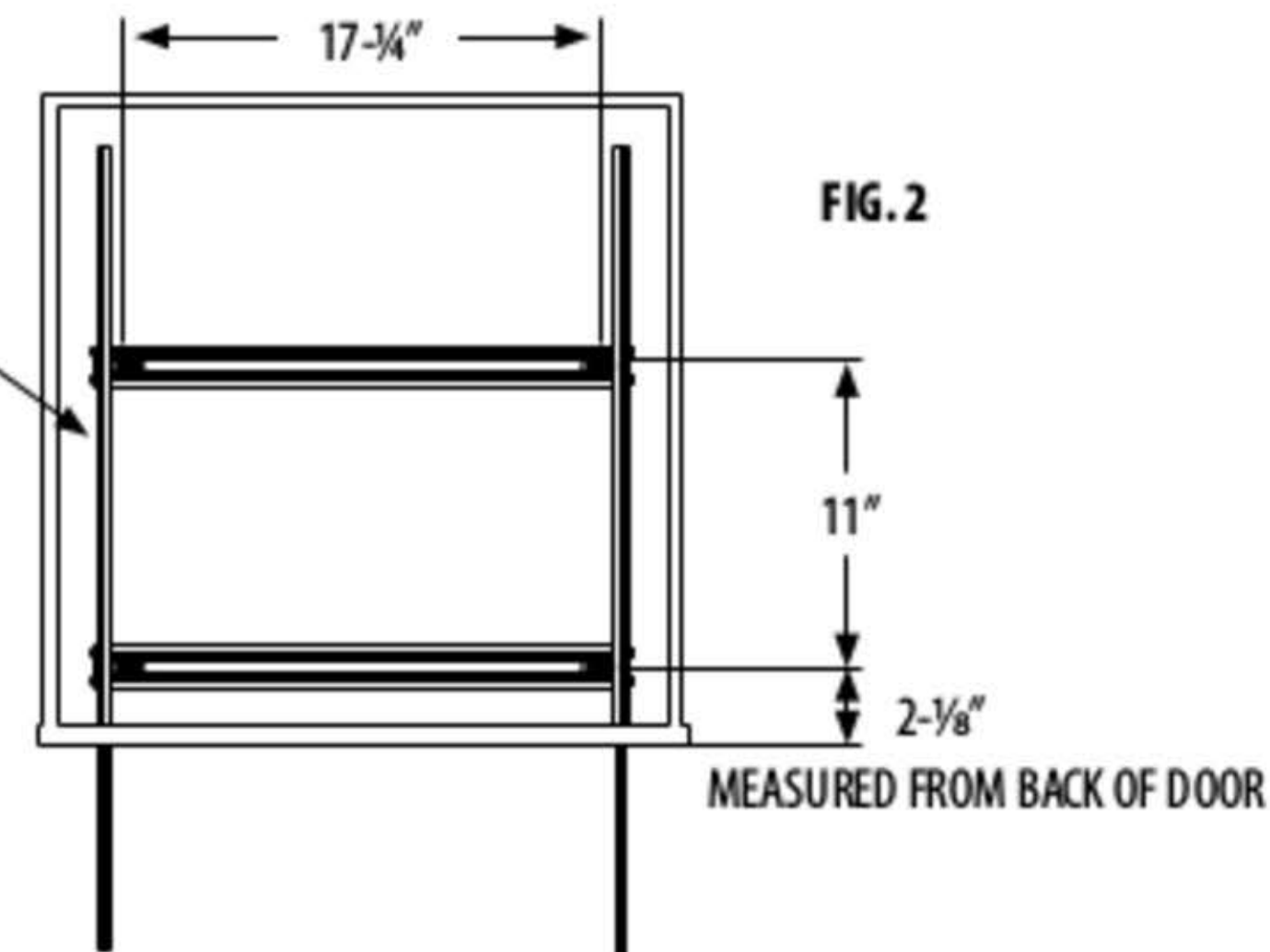


FIG. 2

STEP 2) PREDRILL HOLES TO DIMENSIONS SHOWN AND MOUNT THE BOTTOM CHASSIS WITH THE 4 #8 MOUNTING SCREWS INCLUDED. (FIG. 2)

STEP 3) REINSTALL BASKET ASSEMBLY "REVERSE STEP ONE"

STEP 4) MAKE SURE YOU HAVE CORRECTLY SELECTED THE POSITIONING OF DOOR BRACKET FLANGES SO THAT THE MOUNTING HOLES WILL BE LOCATED IN A PORTION OF THE DOOR THICKER THAN 3/8".

STEPS 5) USING THE DOUBLE SIDED TAPE PROVIDED, ALIGN THE DOOR WITH THE CABINET OPENING AND TEMPORARILY ATTACH THE DOOR TO THE UNIT. PULL THE FRAME AND DOOR OUT AND INSTALL #6 x 1/2" SCREWS. (FIG. 3)

STEP 6) ADJUST DOOR (IF NECESSARY) USING THE PHILLIPS HEAD SCREWS ON THE SIDE OF THE DOOR MOUNTING BRACKETS. (FIG. 4)

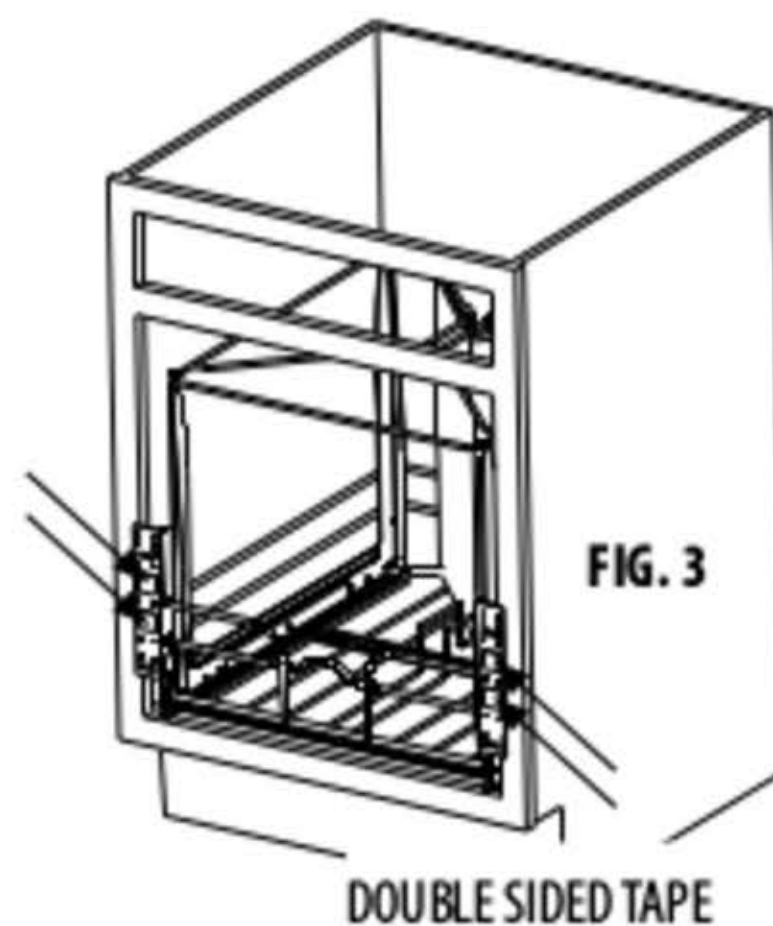


FIG. 3

DOUBLE SIDED TAPE

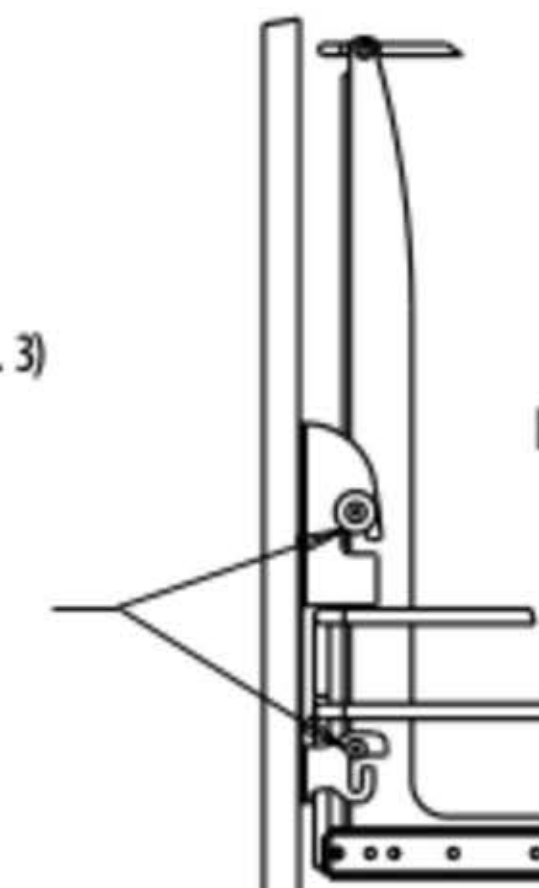


FIG. 4