

# REGINA ANDREW

DETROIT





## ITEM NO: 32-1242 Owen Leather Bar Stool

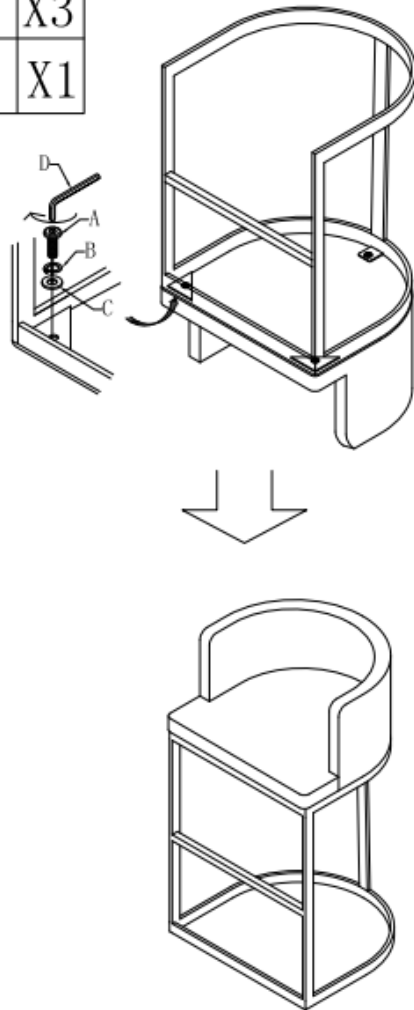
These instructions are provided for your safety. It is very important that they are read completely before beginning the installation of your fixture.

### ASSEMBLY INSTRUCTIONS

WARNINGS: PLEASE MAKE SURE THAT YOU HAVE ALL OF THE PARTS, LISTED ON LEFT, BEFORE YOU START

1. Remove all parts from carton, as shown on left. Do not throw away any parts.
2. Do not tighten the bolts before finishing all the steps.
3. Align the holes on the bottom of the chair to the holes on the metal frame. Place the flat washer (C) first, then split lock washer (B), before inserting the screw (A).
4. Use the Allen key (D) to lock all screws.

A	 8*30	X3
B	 8MM	X3
C	 8*20	X3
D	 5MM	X1



Made in China