




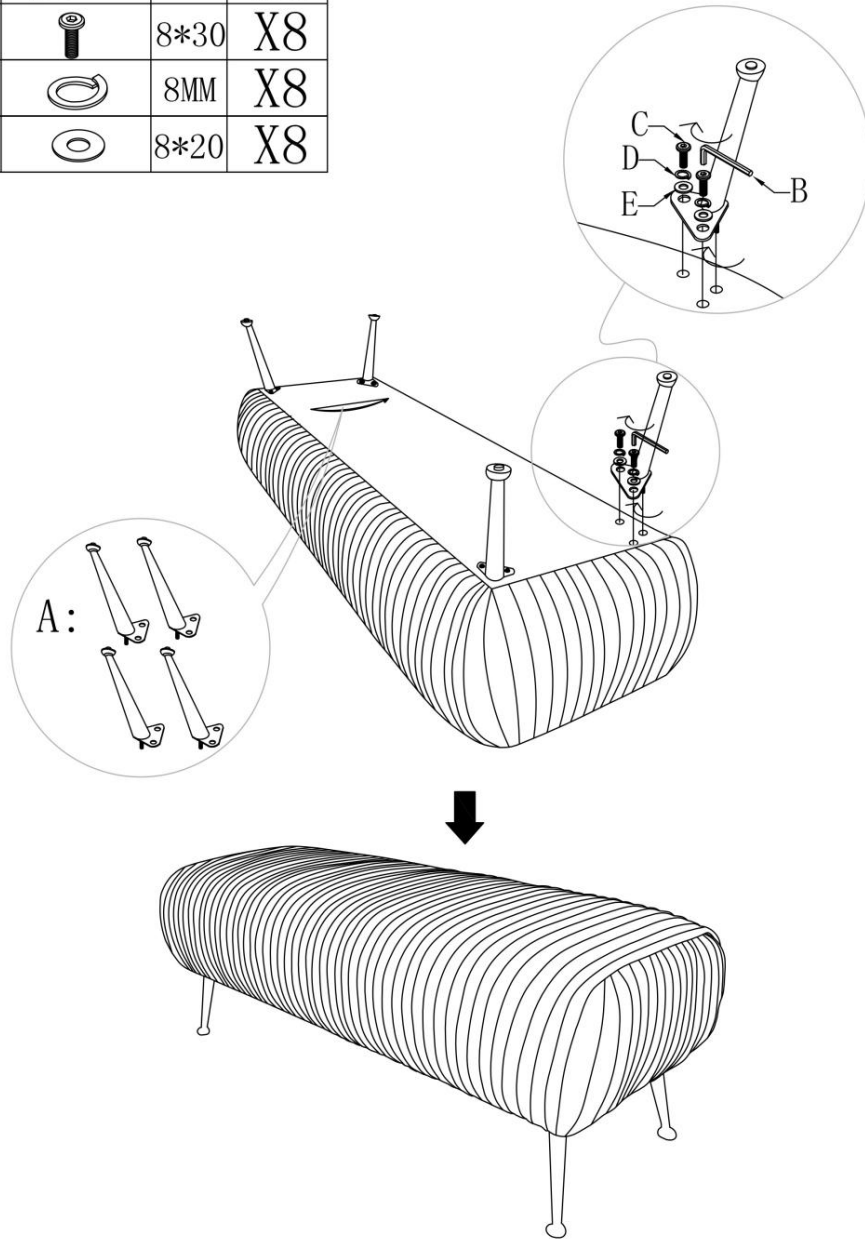


A			X4
B		5MM	X1
C		8*30	X8
D		8MM	X8
E		8*20	X8



REGINA ANDREW

DETROIT

ITEM NO: 32-1114 Beretta Leather Bench

These instructions are provided for your safety. It is very important that they are read completely before beginning the assembly of your furniture.

ASSEMBLY INSTRUCTIONS

PLEASE MAKE SURE THAT YOU HAVE ALL OF THE PARTS, LISTED ON LEFT, BEFORE YOU START.

1. Remove all parts from carton, as shown on left. Do not throw away any parts.
2. Do not tighten the bolts before finishing all of the steps.
3. Assemble the four legs (A), as shown in the diagram. Align the holes on the legs (A) with the holes on the bottom of the bench. Place the flat washer (E) first, then split lock washer (D), before inserting the screw (C).
4. Use the Allen key (B) to lock all screws.

Made in China