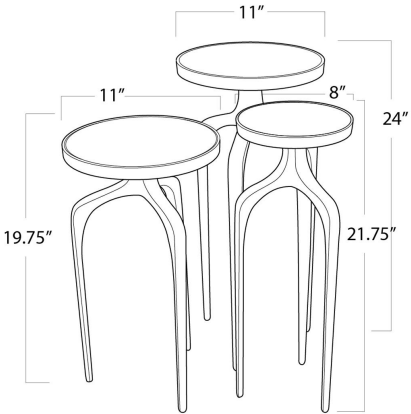


# REGINA ANDREW

DETROIT

## SPECIFICATION SHEET

Mixer Tables Set  
30-1077



<b>HEIGHT</b>	24
<b>WIDTH</b>	11
<b>DEPTH</b>	11
<b>MATERIAL</b>	Aluminum
<b>FINISH</b>	Natural Brass
<b>NOTES</b>	N/A
<b>FREIGHT ONLY</b>	No