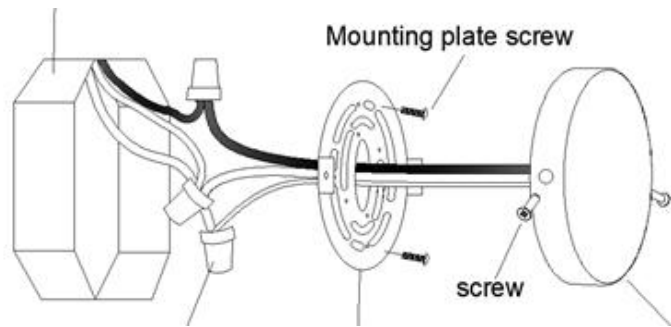
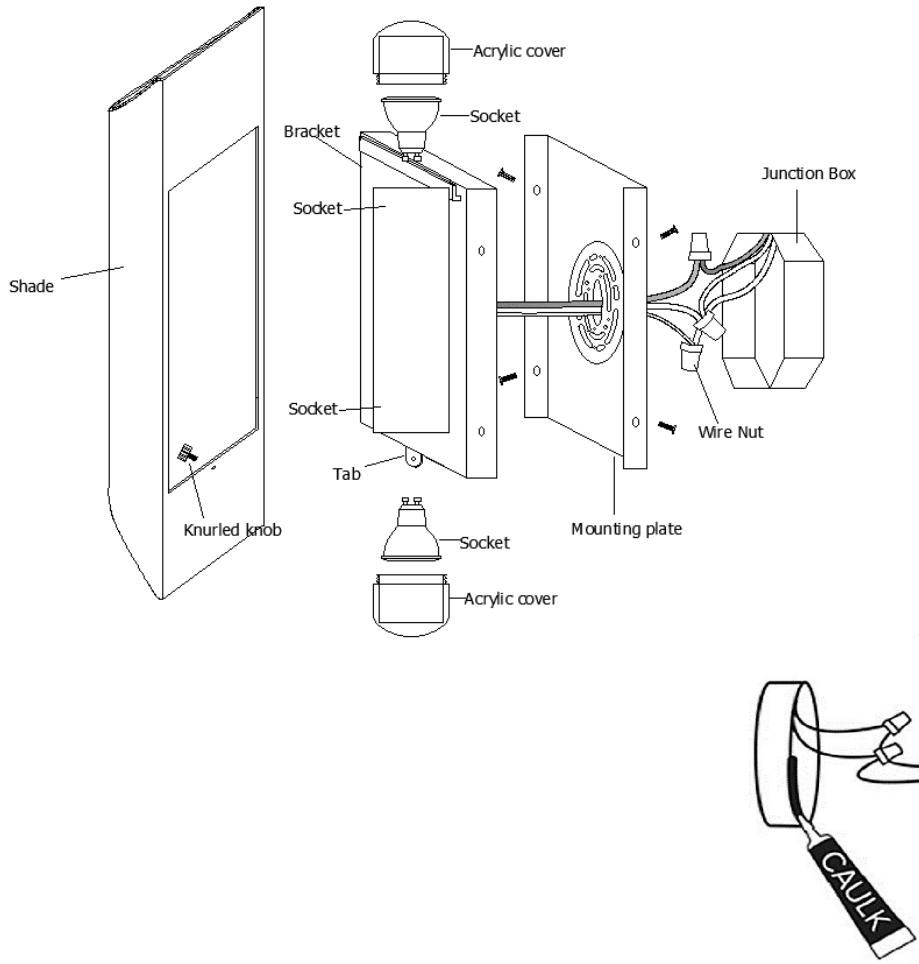


**Figure 1**



**Figure 2**



**Figure 3**



# REGINA ANDREW

DETROIT

ITEM NO: 17-1040  
Meyer Outdoor Sconce

**WE STRONGLY RECOMMEND INSTALLATION BY A LICENSED ELECTRICIAN.**  
These instructions are provided for your safety. It is very important that they are read completely before beginning the installation of your fixture.

## ASSEMBLY INSTRUCTION:

### A. FOR WIRING DIRECTLY INTO OUTLET BOX (Figure 1)

1. Remove steel retainer from lamp back plate by removing the attachment screws on the side of the backplate and attach the retainer to the outlet (junction) box. Adjust the retainer so that the tabs on the side are level.
2. Connect the wires of lamp to the wires of outlet box; a. black outlet-box-wire to black or smooth lamp wire; b. white outlet-box-wire to black or smooth lamp wire; c. bare "grounding" outlet-box-wire to green wire.
3. Install lamp to the steel retainer using four flat-head screws.

### B. SHADE ASSEMBLY (Figure 2)

1. Hang the shade onto the bracket at top of backplate. Tighten with the knurled knob against the tab below the backplate.
2. Unscrew acrylic covers. Insert appropriately rated bulbs (bulbs included) into the sockets and put back the acrylic cover.
3. For any maintenance or checking of electrical connection as needed, please remove the shade before the maintenance or inspection is taken.

### MOUNTING FIXTURE(S) OUTDOOR AND/OR IN A WET LOCATION INSTRUCTION (Figure 3)

1. Mounting surface should be clean, dry, flat and 1/4" larger than the canopy/fixture base on all sides. Any gaps larger than 3/16" should be corrected.
2. With a silicone caulking compound (not included), caulk completely around where the back of the canopy/back plate meets the wall surface.

**CAUTION:** FAILURE TO COMPLETELY CAULK AROUND THE LIGHT FIXTURE'S MOUNTING PLATE COULD RESULT IN WATER SEEPAGE INTO THE LIGHT FIXTURE AND/OR JUNCTION BOX.

Made in China