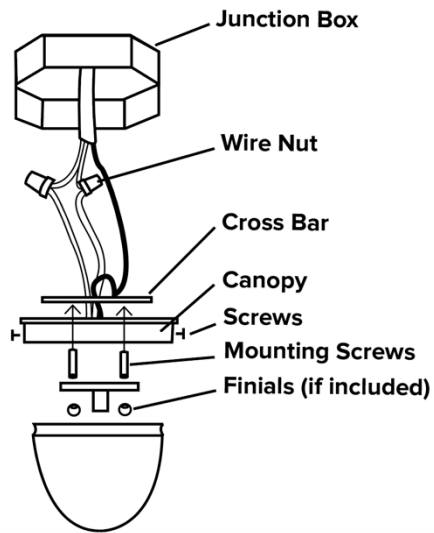
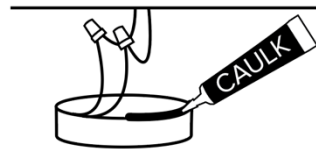


**Figure 1**



**Figure 2**



# REGINA ANDREW

DETROIT

ITEM NO: 17-1011  
Sydney Outdoor Flush Mount

**CAREFULLY INSPECT THE ITEM BEFORE INSTALLATION.**

**WE STRONGLY RECOMMEND THE ITEM BE INSTALLED BY A LICENSED ELECTRICIAN.**

These instructions are provided for your safety. It is very important that they are read completely before beginning the installation of your fixture.

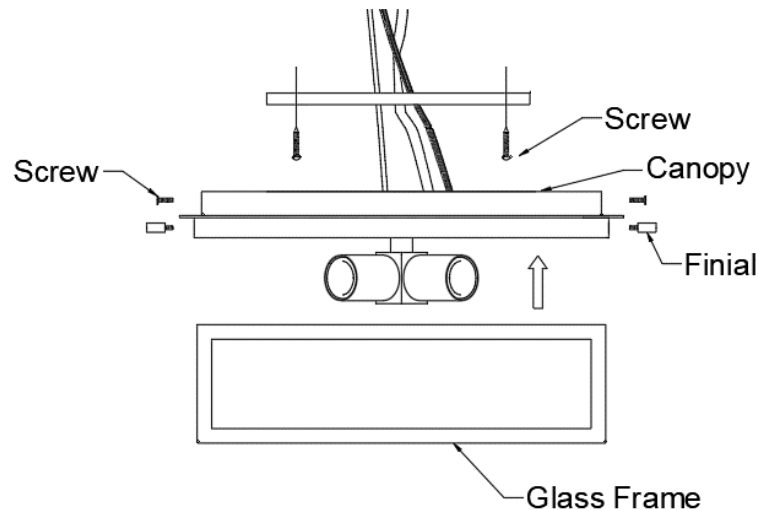
### ASSEMBLY INSTRUCTION: FOR WIRING DIRECTLY INTO THE JUNCTION BOX

1. Turn off the breaker to the junction box at the electrical panel.
2. Inspect all parts and inventory, making sure to check all sides of the packaging for additional parts.
3. Trim the electrical cords to length, making sure to leave an extra 6-10 inches to make all connections.
4. Attach ground wire from fixture to ground wire from junction box. Fasten wires together with wire nut and tightly wrap connection with electrical tape. Attach hot wire from fixture (black color or smooth side of wire) to hot wire from junction box. Fasten wires together with wire nut and tightly wrap connection with electrical tape. Attach neutral wire from fixture (white in color or ribbed side of wire) to neutral wire from junction box. Fasten wires together with wire nut and tightly wrap connection with electrical tape. Carefully push wire connections back into ceiling junction box.
5. Install the crossbar onto the junction box with the included machine screws.
6. Simultaneously move the canopy upward toward the junction box and secure it to the ceiling with the mounting screws.
7. Insert appropriate bulbs. Attach glass frame to canopy with finials.
8. Turn the breaker to the junction box back on and enjoy.

### MOUNTING FIXTURE(S) OUTDOOR AND/OR IN A WET LOCATION INSTRUCTION

1. Mounting surface should be clean, dry, flat and ¼" larger than the canopy/fixture base on all sides. Any gaps larger than 3/16" should be corrected.
2. With a silicone caulking compound (not included), caulk completely around where the back of the canopy/back plate meets the wall surface.

**CAUTION:** FAILURE TO COMPLETELY CAULK AROUND THE LIGHT FIXTURE'S MOUNTING PLATE COULD RESULT IN WATER SEEPAGE INTO THE LIGHT FIXTURE AND/OR JUNCTION BOX.



Made in China