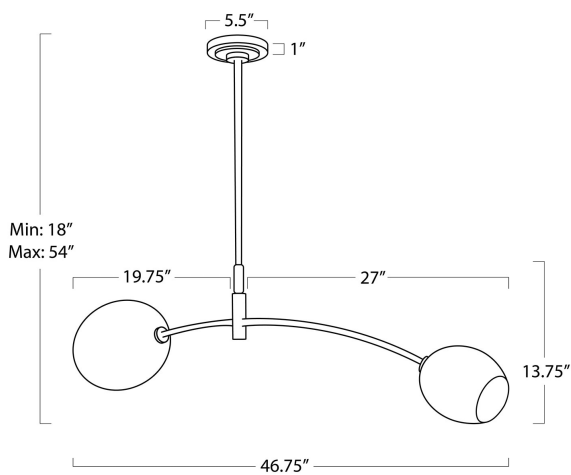


REGINA ANDREW

DETROIT

SPECIFICATION SHEET

Artemis Pendant Double (Polished Nickel with Champagne Glass) 16-1525PN-CHAM



HEIGHT	18
WIDTH	46.75
DEPTH	8
SHADE DIMS	N/A
SHADE COLOR	N/A
BULB QTY	2
BULB TYPE	G Type Candelabra Base (E12)
SOCKET	E12 Candelabra
WATTAGE	40 Watt Max
WIRING TYPE	Hard Wire
MATERIAL	Glass
FINISH	Polished Nickel
NOTES	10 ft of cord
FREIGHT ONLY	No