

# REGINA ANDREW

DETROIT

ITEM NO: 16-1417  
Ringo Pendant Small

CAREFULLY INSPECT THE ITEM BEFORE INSTALLATION.

WE STRONGLY RECOMMEND THE ITEM BE INSTALLED BY A LICENSED ELECTRICIAN.  
These instructions are provided for your safety. It is very important that they are read completely before beginning the installation of your fixture.

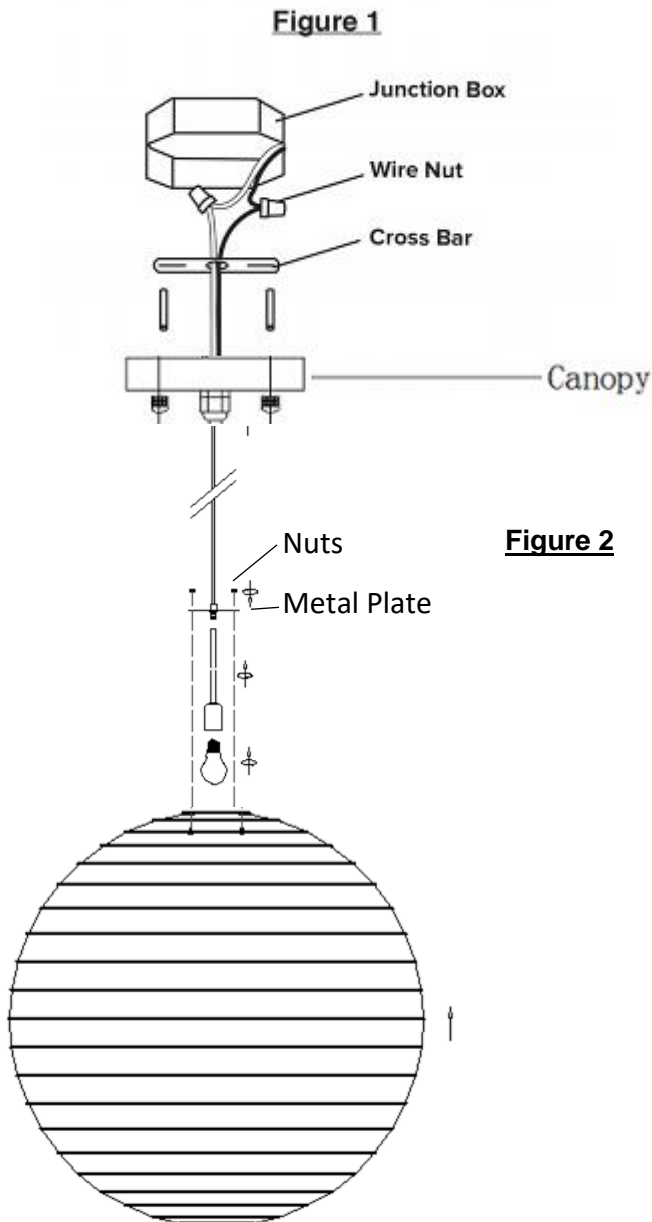
## ASSEMBLY INSTRUCTIONS

### FOR WIRING DIRECTLY INTO THE JUNCTION BOX (Figure 1)

1. Turn off the breaker to the junction box at the electrical panel.
2. Inspect all parts and inventory, making sure to check all sides of the packaging for additional parts.
3. Determine the desired height of the fixture and adjust the appropriate amount of wire. Tighten screw.
4. Trim the electrical cords to length, making sure to leave an extra 6-10 inches to make all connections.
5. Install the crossbar onto the junction box with the included mounting screws.
6. Run all electrical through the screw collar loop into the junction box. Attach ground wire from fixture to ground wire from junction box. Fasten wires together with wire nut and tightly wrap connection with electrical tape. Attach hot wire from fixture (black color or smooth side of wire) to hot wire from junction box. Fasten wires together with wire nut and tightly wrap connection with electrical tape. Attach neutral wire from fixture (white in color or ribbed side of wire) to neutral wire from junction box. Fasten wires together with wire nut and tightly wrap connection with electrical tape. Carefully push wire connections back into ceiling junction box.
7. Carefully attach the canopy to the crossbar with provided screws.
8. Insert appropriate bulb.
9. Turn the breaker to the junction box back on and enjoy.

### FIXTURE ASSEMBLY (Figure 2)

1. Attach the socket to the metal plate by turning clockwise.
2. Install the shade onto the metal plate by attaching loops to nuts on the fixture.



Made in China