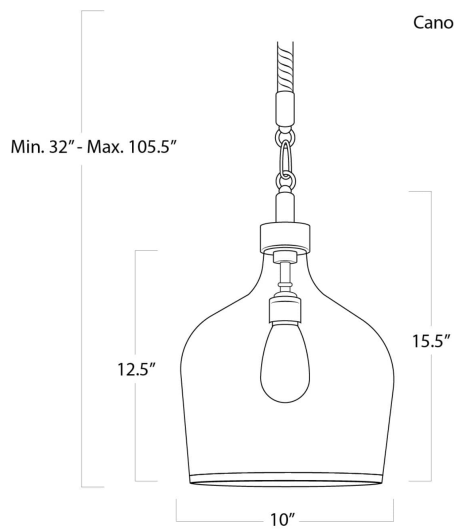


REGINA ANDREW

DETROIT

SPECIFICATION SHEET

Demi John Pendant Small 16-1101



Canopy: 5" x 5" x 1"

| | |
|---------------------|---------------------------------|
| HEIGHT | 32 |
| WIDTH | 10 |
| DEPTH | 10 |
| SHADE DIMS | N/A |
| SHADE COLOR | N/A |
| BULB QTY | 1 |
| BULB TYPE | A Type Medium Base (E26) |
| SOCKET | E26 Keyless |
| WATTAGE | 60 Watt Max |
| WIRING TYPE | Hard Wire |
| MATERIAL | Steel |
| FINISH | Clear |
| NOTES | 10 ft of cord and 6 ft of chain |
| FREIGHT ONLY | No |