

REGINA ANDREW

DETROIT

ITEM NO: 15-1217 Meyer Metal Sconce

These instructions are provided for your safety. Read completely before installing this fixture. Switch off the main electrical supply from the main fuse box/circuit breaker before installation. Carefully inspect item before installation.

ASSEMBLY INSTRUCTIONS

MOUNTING INSTRUCTION:

- A. FOR WIRING DIRECTLY INTO JUNCTION BOX (Figure 1)
1. Remove the backplate from shade by removing the long finial screws. Remove the mounting plate from the lamp back plate by removing the ball screws on front of backplate.
 2. Attached the mounting plate to the junction box. Adjust the mounting plate so the two screw rods attached on the backplate are level.
 3. Connect the wires of lamp to the wires of junction box; a. neutral junction-box-wire to white lamp wire; b. hot junction-box-wire to black lamp wire; c. secure wires with the included wire nuts. d. wrap bare ground junction-box-wire to green screw on mounting plate.
 4. Install lamp backplate to mounting plate with two ball screws.
- B. SHADE ASSEMBLY (Figure 2)
1. Install lamp shade to lamp with the three long finial screws.
 2. Insert the appropriately rated bulbs into the sockets.

CLEANING AND CARE:

Use a soft cloth only, do not use any chemical or abrasive cleaners.

IMPORTANT SAFETY INSTRUCTIONS

WE STRONGLY RECOMMEND INSTALLATION BY A LICENSED ELECTRICIAN

Made in China

Figure 1

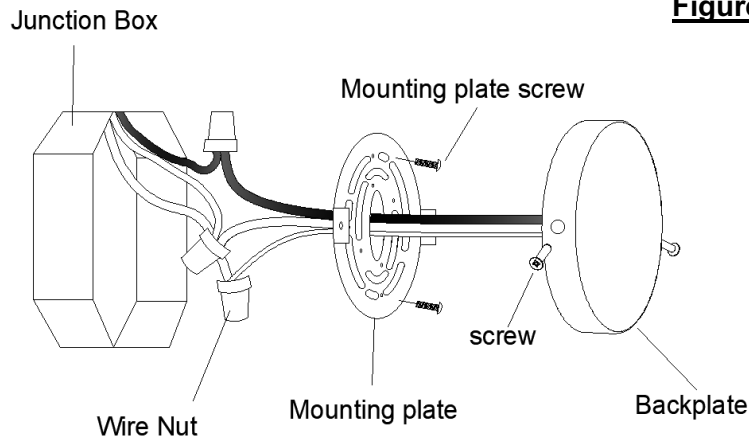


Figure 2

