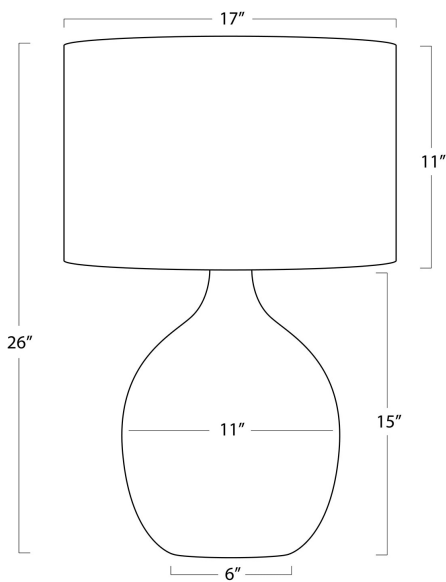


REGINA ANDREW

DETROIT

SPECIFICATION SHEET

Maren Table Lamp
13-1640NAV



HEIGHT	26
WIDTH	17
DEPTH	17
SHADE DIMS	17 x 17 x 11
SHADE COLOR	Natural Linen
BULB QTY	1
BULB TYPE	A Type Medium Base (E26)
SOCKET	E26 3-Way Cast Turn Knob
WATTAGE	3-Way 150 Watt Max
WIRING TYPE	Standard
MATERIAL	Seagrass
FINISH	Natural
NOTES	8 ft of cord
FREIGHT ONLY	No