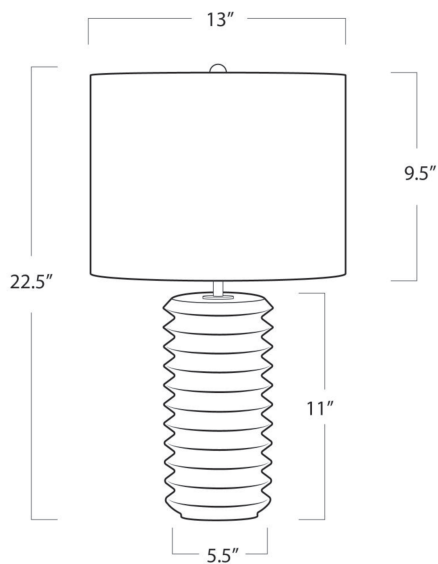


# REGINA ANDREW

DETROIT

## SPECIFICATION SHEET

### Noir Column Travertine Lamp 13-1587



<b>HEIGHT</b>	22.5
<b>WIDTH</b>	13
<b>DEPTH</b>	13
<b>SHADE DIMS</b>	13 x 13 x 9.5
<b>SHADE COLOR</b>	Natural Linen
<b>BULB QTY</b>	1
<b>BULB TYPE</b>	A Type Medium Base (E26)
<b>SOCKET</b>	E26 3-Way Cast Turn Knob
<b>WATTAGE</b>	3-Way 150 Watt Max
<b>WIRING TYPE</b>	Standard
<b>MATERIAL</b>	Stone
<b>FINISH</b>	Natural Stone
<b>NOTES</b>	8 ft of cord
<b>FREIGHT ONLY</b>	No