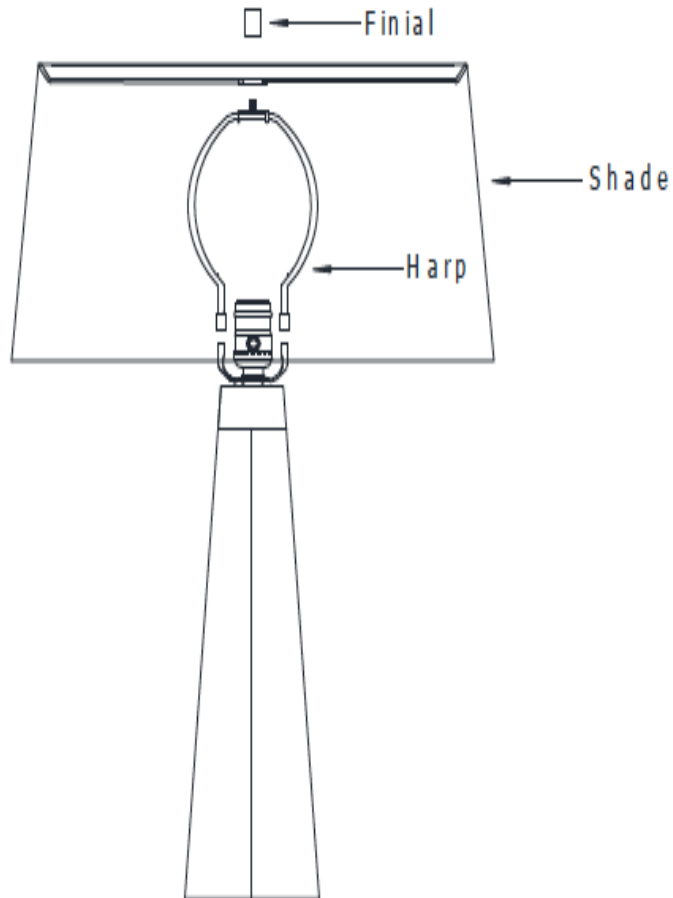


REGINA ANDREW

DETROIT

ITEM NO: 13-1051 Beretta Concrete Table Lamp

ASSEMBLY INSTRUCTIONS



1. Carefully remove all parts from box and remove all plastic covering from lamp parts.
2. Insert the Harp into the Saddle of body section.
3. Install the Shade onto the Harp, tighten it by installing the Finial.
4. Insert the polarized plug to wall outlet, turn on switch and enjoy your new lamp.

CLEANING AND CARE:

Use a soft cloth only, do not use any chemical or abrasive cleaners.

IMPORTANT SAFETY INSTRUCTIONS

This portable lamp has a polarized plug (one blade is wider than the other) as a safety feature to reduce the risk of electric shock. This plug will fit in a polarized outlet only one-way. If it still does not fit, contact a qualified electrician. Never use with an extension cord unless plug can be fully inserted. Do not alter the plug.

Made in China