



Metal Grille: Scroll

Model #	Inside Meas.	Outside Meas.
412	10" x 2¼"	12" x 3½"
414	12" x 2¼"	14" x 3½"
416	14" x 2¼"	16" x 3½"
610	8" x 4"	10" x 5½"
612	10" x 4"	12" x 5½"
614	12" x 4"	14" x 5½"
616	14" x 4"	16" x 5½"
808	6" x 6"	8" x 8"
812	10" x 6"	12" x 8"
814	12" x 6"	14" x 8"
816	14" x 6"	16" x 8"
824	22" x 6"	24" x 8"
826	24" x 6"	26" x 8"
832	30" x 6"	32" x 8"
1010	8" x 8"	10" x 10"
1012	10" x 8"	12" x 10"
1014	12" x 8"	14" x 10"
1016	14" x 8"	16" x 10"
1122	20" x 9"	22" x 11"
1212	10" x 10"	12" x 12"
1214	12¼" x 10¼"	14" x 12"
1216	14" x 10"	16" x 12"
1414	12" x 12"	14½" x 14½"
1416	14" x 12"	16½" x 14½"
1426	24" x 12"	26½" x 14½"
1616	14" x 14"	16½" x 16½"
1620	18⅛" x 14¼"	20½" x 16⅝"
2020	18" x 18"	20½" x 20½"
2032	30" x 18"	32½" x 20½"
2626	24" x 24"	26½" x 26½"
3232	29⅝" x 29⅝"	32" x 32"

Metal Register

Model #	Inside Meas.	Outside Meas.
1214R	12¼" x 10¼"	14" x 12"

Recessed Radiation

Model #	Inside Meas.	Outside Meas.
864	63¼" x 6¼"	64" x 8"

Metal Grille: Square

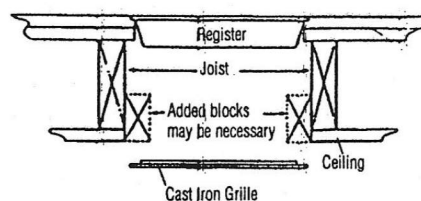
Model #	Inside Meas.	Outside Meas.
G412	10" x 2¼"	12" x 3½"
G414	12" x 2¼"	14" x 3½"
G416	14" x 2¼"	16" x 3½"
G612	10" x 4"	12" x 5½"
G614	12" x 4"	14" x 5½"
G616	14" x 4"	16" x 5½"
G808	6" x 6"	8" x 8"
G812	10" x 6"	12" x 8"
G814	12" x 6"	14" x 8"
G816	14" x 6"	16" x 8"
G824	22" x 6"	24" x 8"
G826	24" x 6"	26" x 8"
G832	30" x 6"	32" x 8"
G1010	8" x 8"	10" x 10"
G1012	10" x 8"	12" x 10"
G1014	12" x 8"	14" x 10"
G1016	14" x 8"	16" x 10"
G1212	10" x 10"	12" x 12"
G1414	12" x 12"	14½" x 14½"
G1426	24" x 12"	26½" x 14½"
G1616	14" x 14"	16½" x 16½"
G1727	24" x 14"	27" x 17"
G1733	30" x 14"	33" x 17"
G2020	18" x 18"	20½" x 20½"

High Velocity: Metal or Wood

Model #	Duct Size	Outside Meas.
5R (grille style)	2" dia.	5½" diameter
5R (open style)	2" dia.	5" diameter

High Velocity: Wood Flush Mount

Model #	Duct Size	Outside Meas.
5R (grille style)	2" dia.	6¾" square
5R (open style)	2" dia.	6¾" square



Wood Grille: Surface Mount

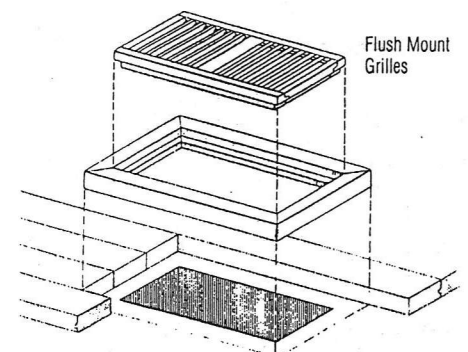
Model #	Inside Meas.	Outside Meas.
412	10" x 2¼"	12" x 4"
414	12" x 2¼"	14" x 4"
416	14" x 2¼"	16" x 4"
612	10" x 4"	12" x 6"
614	12" x 4"	14" x 6"
616	14" x 4"	16" x 6"
812	10" x 6"	12" x 8"
814	12" x 6"	14" x 8"
816	14" x 6"	16" x 8"

Wood Grille: Return/Wall Mount

Model #	Inside Meas.	Outside Meas.
826	24" x 6"	26" x 8"
1012	10" x 8"	12" x 10"
1014	12" x 8"	14" x 10"
1016	14" x 8"	16" x 10"
1026	24" x 8"	26" x 10"
1212	10" x 10"	12" x 12"
1214	12" x 10"	14" x 12"

Wood Grille: Flush Mount

Model #	Inside Meas.	Outside Meas.
412	10" x 2¼"	13½" x 5¾"
414	12" x 2¼"	15½" x 5¾"
416	14" x 2¼"	17½" x 5¾"
612	10" x 4"	13½" x 7½"
614	12" x 4"	15½" x 7½"
616	14" x 4"	17½" x 7½"
812	10" x 6"	13½" x 9½"
814	12" x 6"	15½" x 9½"
816	14" x 6"	17½" x 9½"



Louvers

Model #	Duct Size	Grille Model
412BL	10" x 2¼"	412
414BL	12" x 2¼"	414
416BL	14" x 2¼"	416
610BL	8" x 4"	610
612BL	10" x 4"	612
614BL	12" x 4"	614
616BL	14" x 4"	616
808BL	6" x 6"	808
812BL	10" x 6"	812
814BL	12" x 6"	814
816BL	14" x 6"	816
824BL	22" x 6"	824
826BL	24" x 6"	826
832BL	30" x 6"	832
1010BL	8" x 8"	1010
1012BL	10" x 8"	1012
1014BL	12" x 8"	1014
1016BL	14" x 8"	1016
1122BL	20" x 9"	1122
1212BL	10" x 10"	1212
1214BL	12" x 10"	1214
1216BL	14" x 10"	1216
1414BL	12" x 12"	1414
1416BL	14" x 12"	1416
1426BL	24" x 12"	1426
1616BL	14" x 14"	1616
1620BL	18" x 14"	1620

How to Measure

We have a large variety of grilles and registers. To find the size you need, here's all you do...

Step 1

If you're working on new construction, proceed directly to Step 2. If this is a replacement, lift out the old vent cover.

Step 2

Measure the opening in your floor, wall or ceiling. The width and length of your opening should match the width and length of the inside measurements of the grille.

Step 3

Please measure again to make sure you measured correctly.

Step 4

Using our catalog or website, find the correct product that matches the inside width that you need. All measurements are in inches (length x width). If the width of your opening is 4", you'll quickly see where to find 4" wide grilles. When you find the 4" product, you will see that it is offered in 8", 10", 12" and 14" inside measurement lengths. Choose the inside measurement length that matches the length of your opening.

Step 5

We also include the overall dimensions or outside measurements (which are larger than the opening) of each grille and register. If you are putting them close to a wall, cabinet, etc. please measure the area to make sure you will have enough room to accommodate the overall size of the grill or register. All measurements are in inches (length x width).

If you have a question...

...give us a call – **1.800.880.3090**

Our Customer Service representatives will be glad to answer your questions.

Thickness

Our products are made to last for generations. The solid edge of most of our metal registers and grilles is approximately 3/16" thick. (The 32" grille is approximately 1/4" thick.) Grilles and registers can be recessed into the floor (wall or ceiling) to achieve a flat surface installation.

