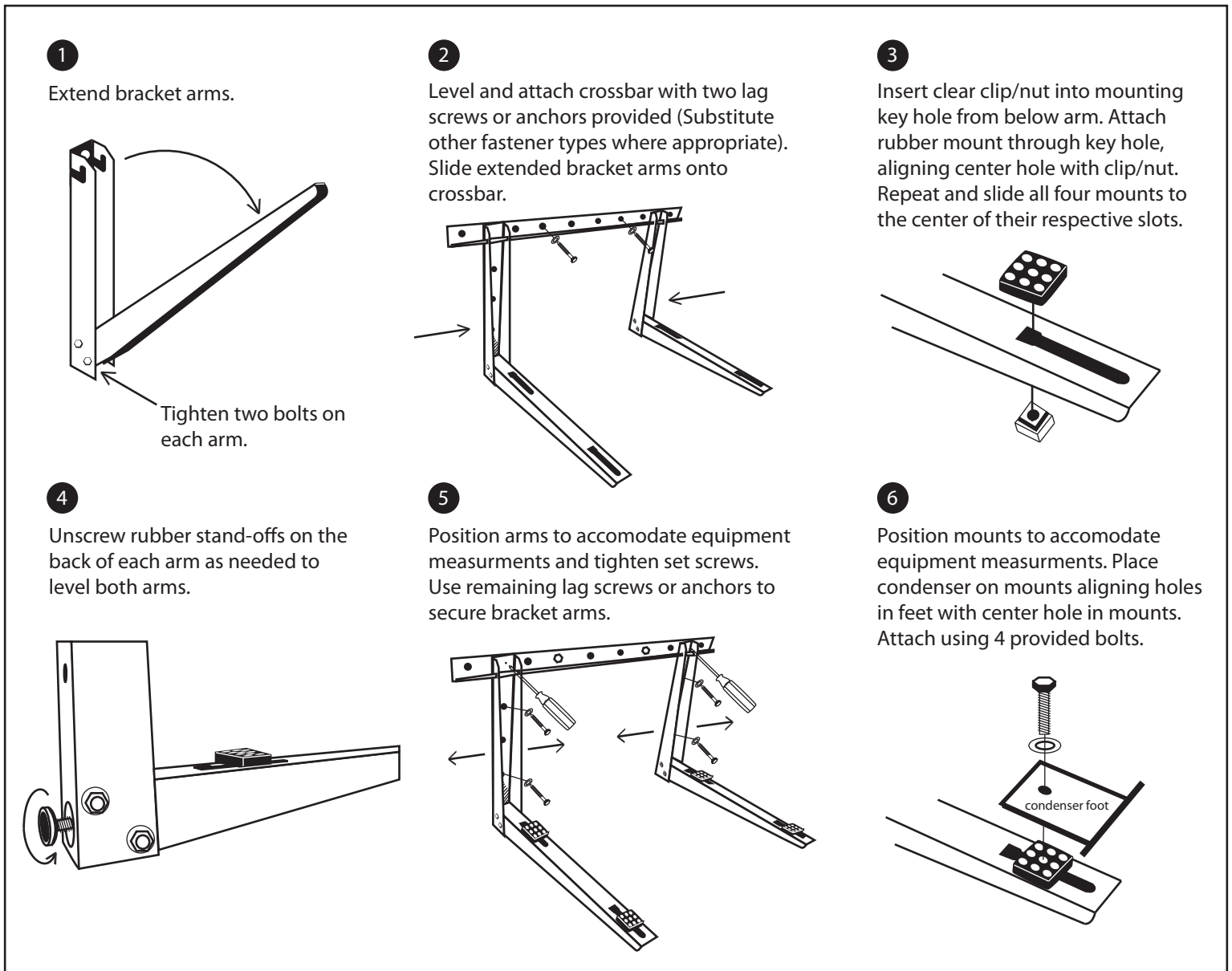
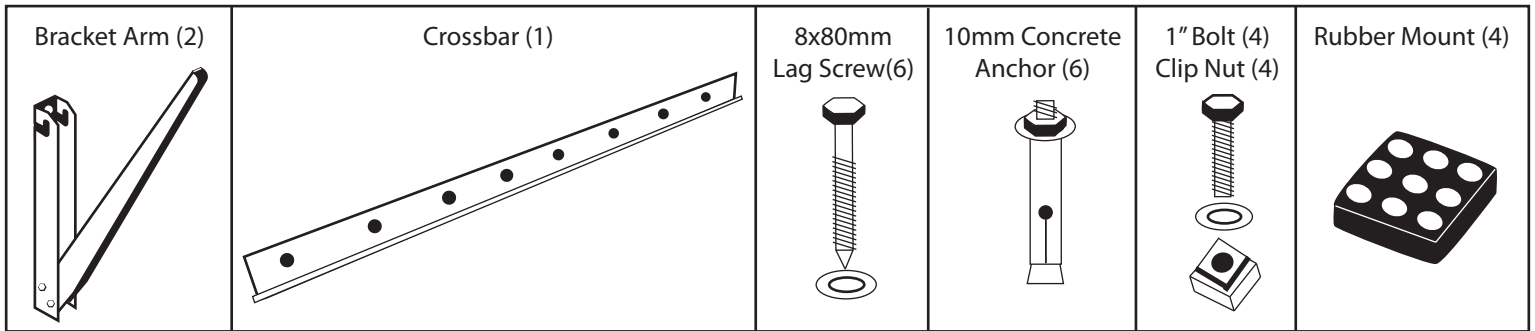


# AIRTEC

## WBB300 & WBB500 Installation



The buyer of the aforelisted product(s) hereby indemnify Airtec Products Corporation, its successors and assigns, as they may in time appear, harmless against any claims, demands or liability arising out of the misuse of or from any use outside the intended scope of the aforelisted product(s). Misuse or use outside the intended scope shall include any use contrary to that which is indicated with the accompanying literature and instructions. This unit must be installed in accordance with all applicable local building and mechanical codes.

The purchaser or installer of these products is responsible for insuring that the structure and/or building materials making up the structure are of sufficient strength, and a sufficient number and type of fasteners are installed, to take the combined weight of the bracket and unit or units.