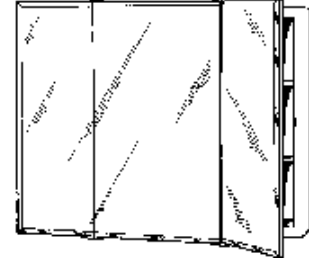


Horizon MEDICINE CABINET

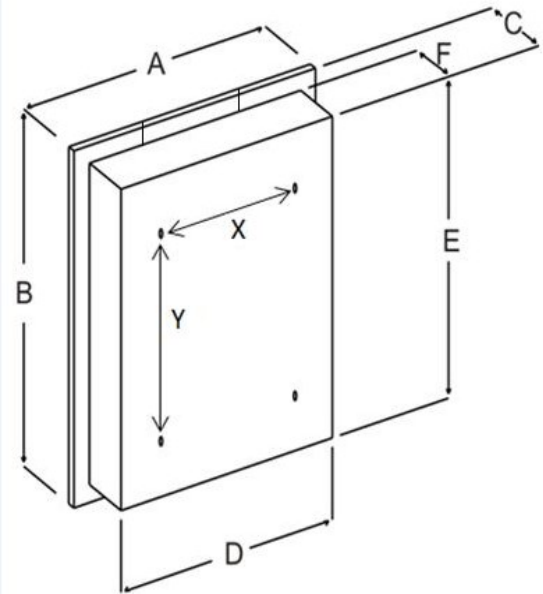


FEATURES/TYPICAL SPECIFICATIONS

- Surface Mount Installation
 - Pre-drilled mounting holes spacing: y = 16" center-to-center and x = 21.125" center-to-center
- Formed and welded steel housing (WB/ST)
 - 24 gauge steel construction with white, heat cured, acrylic paint finish
- Frameless mirror doors
 - 3/16" thick float glass mirror door front with 1/2" beveled edges, around perimeter of 3 assembled mirrors.
 - 10" wide mirror doors (3 typical)
 - 24 gauge steel, pan formed, door back with white, heat cured, acrylic paint finish
- 90° concealed, euro-type hinge, adjustable and self-closing with plastic and metal components (6 typical / 2 per door)
- 26 gauge galvanized steel shelves with white, heat cured, enamel paint finish (2 typical)
 - Fixed shelves — removable (FX2)
- Includes installation hardware
- Pallet Quantity = 14 units

Finishes:

Housing: PT01—Basic White
 Mirror: 1/2 BVL—1/2" Bevel Edge
 Frame: Frameless



Model #	Description	Dimensions In Inches					
		A	B	C	D	E	F
255230	MEDCAB 3DR 30X28 FMLS WB/ST	29-11/16	28-3/16	5 1/4	28 3/4	26 5/8	4 5/8

REFERENCE	QTY.	REMARKS	Project
			Location
			Architect
			Engineer
			Contractor
			Submitted by
			Date

* All models and material specifications are subject to change or withdrawal without notice.