

Please go to www. quoizel. com for product cleaning tips. Go to the **Care + Maintenance** selection.

Tools Required: Flathead screwdriver, Phillips screwdriver, pliers, wire cutters, wire strippers, electrical tape, safety glasses.

Light Source: (1) A19 Medium Base bulb 100W Maximum

Estimated Assembly Time: 20-30 minutes

Preparation: Identify and inspect all parts before beginning installation. Check package content list and diagrams below to ensure all parts are present. If any parts are missing or damaged, do not attempt to assemble, install, or operate the fixture. Contact customer service for replacement parts.

Fixture can only be mounted in the direction indicated on page 2.

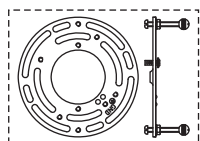
⚠ Warnings and Cautions

Turn off electricity at circuit breaker or main fuse box before installation. Consult a licensed electrician if in doubt.

These instructions are provided for your safety. It is very important you read them completely before installing the fixture. We strongly recommend that a licensed, professional electrician perform the installation.

Disconnect fixture from power source before replacing bulbs. Make sure bulbs are given sufficient time to cool before removal.

Package Contents

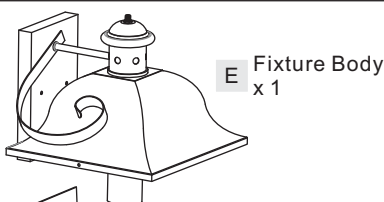


A Crossbar Assembly
x 1

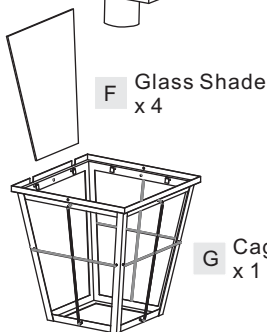
B Alternate Mounting Screw
x 2

C Lock Screw
x 2

D Fixture Loop
x 1



E Fixture Body
x 1



F Glass Shade
x 4

G Cage
x 1

STEP 3 – Install Glass Panel

A. Insert Glass Panels (F) into the slot on the bottom of the Cage (G) then fold the tabs in the top of the Cage (G) to secure Glass Panels (F).

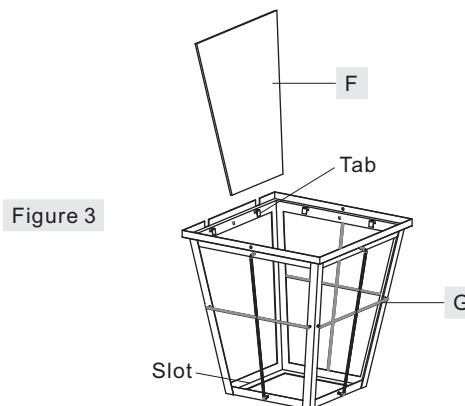


Figure 3

STEP 1 – Install Fixture Loop

A. Thread Fixture Loop (D) onto the nipple on the top of the Fixture Body (E) and hand tighten until snug.

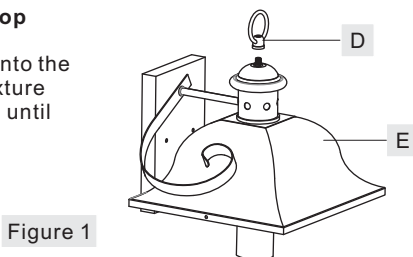


Figure 1

STEP 2 – Fix the Flat Scroll in place

A. Rotate the Flat Scroll to the top of the Fixture Body (E). Pull the scroll end into the Fixture Loop (D).

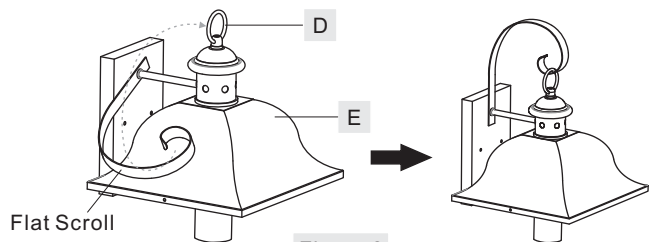


Figure 2

STEP 4 – Install Cage with Glass Panels

A. Place slots side of the Cage (G) against the backplate. Align slots on the top of Cage (G) to the studs inside of fixture hood and align holes on the fixture hood to mounting holes on the Cage (G). Secure by threading Lock Screw (C) into mounting holes. Hand tighten until snug with screwdrivers.

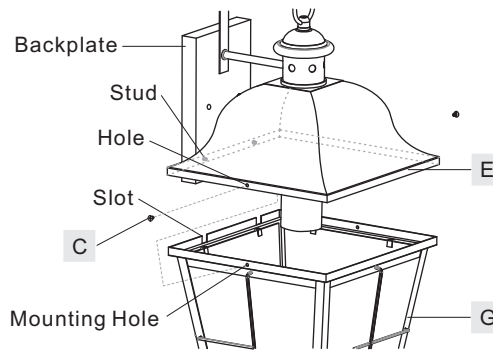


Figure 4

Thank you for purchasing a Quoizel product.
Need assistance with parts or assembly? Call Quoizel customer service at 1-800-645-3184
or visit us on-line at www. quoizel. com

STEP 5 – Installing the Crossbar Assembly

A. Pass the supply wires through the Crossbar Assembly (A). Attach the Crossbar Assembly (A) to the Outlet Box with the head of the Green Ground Screw facing you. Secure the Crossbar Assembly (A) with Outlet Box Screws (not included). Tighten until snug.

Note: Use the Alternate Shorter Mounting Screw (B) if your installation requires a shorter mounting screw.

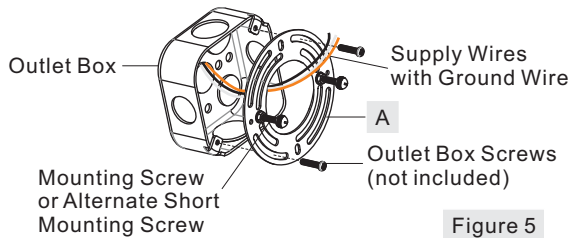


Figure 5

STEP 6 – Test Fit the Backplate to the Crossbar Assembly

A. Remove the mounting balls from the Crossbar Assembly (A). Place the backplate and Fixture Body (E) onto the Crossbar Assembly (A) and secure with mounting balls. Note: The backplate and Fixture Body (E) should be snug against the wall and held tight with the mounting balls. If it is not, adjust the length of the mounting screw or alternate short mounting screw on the Crossbar Assembly (A) by unscrewing the preassembled hex nut and lock washer and then screwing the mounting screws or alternate short mounting screws in or out of the crossbar until the correct length is achieved. Once the backplate and Fixture Body (E) is secure, remove the mounting ball and Fixture Body (E) and proceed to Step 7.

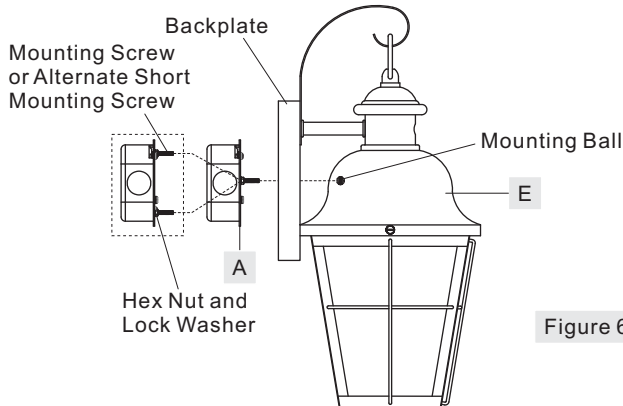


Figure 6

STEP 7 - Wire Connections

A. Wrap bare or green ground wire around green ground screw on the crossbar, no less than 2 inches from the end of the wire. Tighten the green ground screw.
 B. Use standard wire connectors (not included) to make all wire connections. Twist connectors until wires are tightly joined together. Wrap each connection with approved electrical tape and carefully stuff all the connected wires into the Outlet Box.

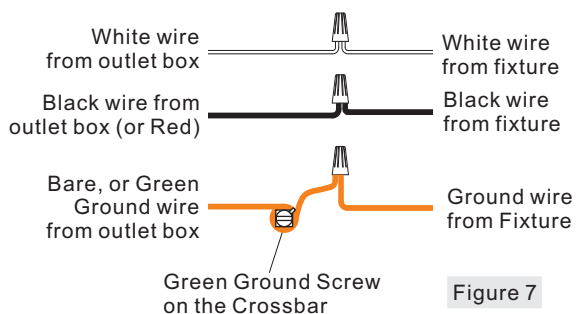


Figure 7

STEP 8 – Install the Fixture Body

A. Position the backplate and Fixture Body (E) onto the Crossbar Assembly (A). Place the holes in the backplate over the mounting screws or alternate short mounting screws. Secure the Fixture Body by using the mounting balls and hand tighten the mounting balls until snug.

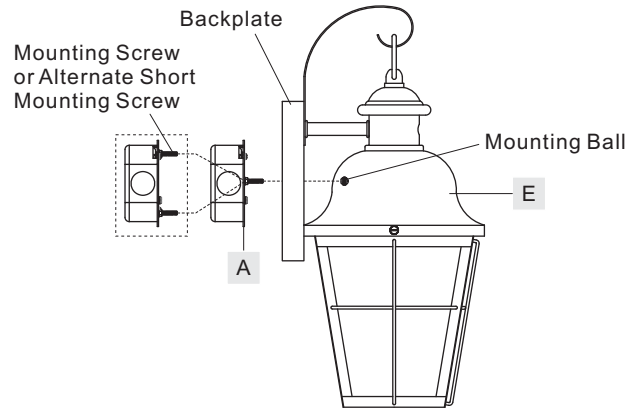


Figure 8

STEP 9 – Install the Bulb and Apply Silicone Sealer

A. Insert the bulb onto socket and screw snugly into place.
 B. Make sure the exterior wall surface and fixture backplate are free of dirt before applying caulk. Using exterior grade caulk, caulk over top of backplate and down both sides. Do not caulk the bottom of the fixture backplate to ensure proper moisture drainage.

Your fixture is now assembled and ready to use. Enjoy!

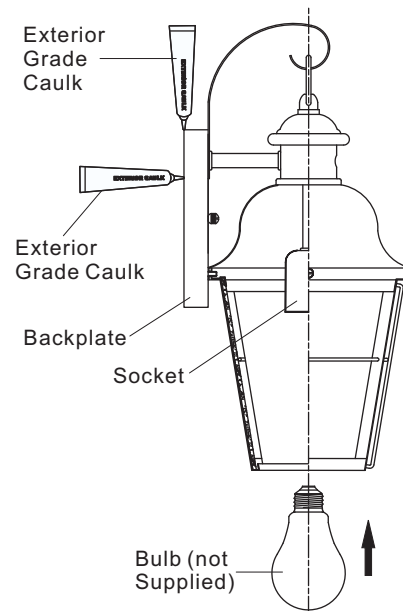
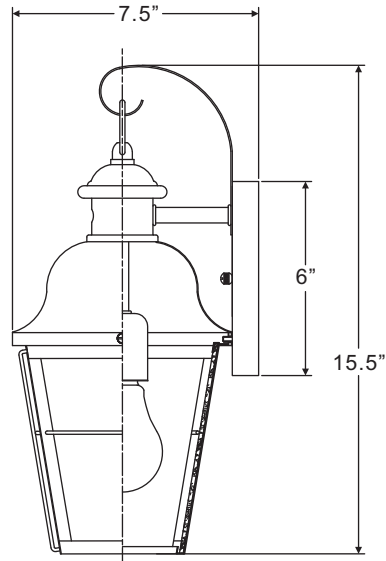
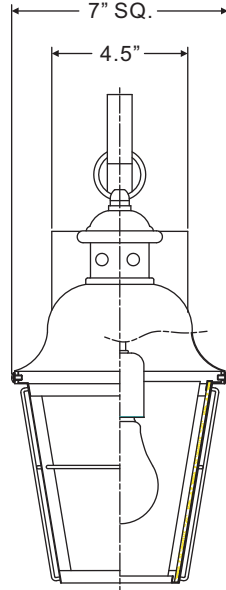
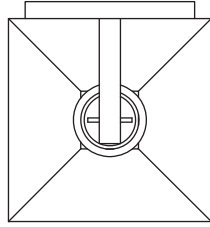
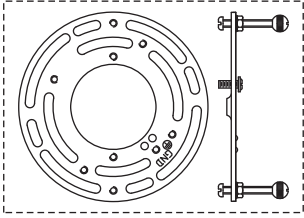


Figure 9

Thank you for purchasing a Quoizel product.
 Need assistance with parts or assembly? Call Quoizel customer service at 1-800-645-3184
 or visit us on-line at www.quoise.com

MHE8406CU

FINISH: COPPER BRONZE



↑
Fixture can only be mounted in the direction indicated

NOTE: ALL DIMENSIONS ARE ROUNDED UP TO THE NEAREST 1/4"

Thank you for purchasing a Quoizel product.
Need assistance with parts or assembly? Call Quoizel customer service at 1-800-645-3184
or visit us on-line at www.quoise.com