

Please go to [www.quoise.com](http://www.quoise.com) for product cleaning tips. Go to the **Care + Maintenance** selection.

**Tools Required:** Flathead screwdriver, Phillips screwdriver, pliers, wire cutters, wire strippers, electrical tape, safety glasses.

**Light Source:** (8) B10 Candelabra Base Bulbs 60W Maximum

**Estimated Assembly Time:** 30-45 minutes

**Preparation:** Identify and inspect all parts before beginning installation. Check package content list and diagrams below to be sure all parts are present. If any parts are missing or damaged, do not attempt to assemble, install, or operate the fixture. Contact customer service for replacement parts.

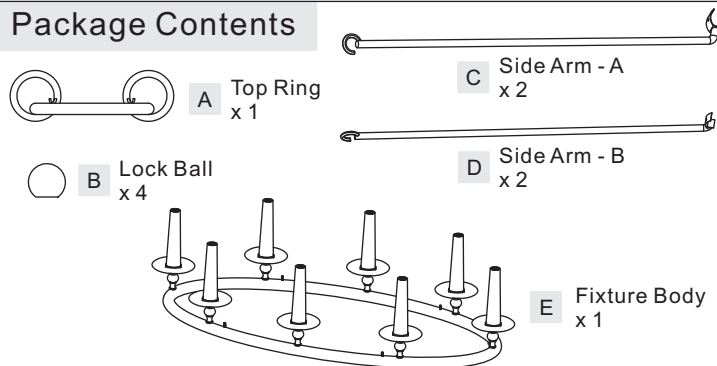
## ⚠ Warnings and Cautions

Turn off electricity at circuit breaker or main fuse box before installation. Consult a licensed electrician if in doubt.

These instructions are provided for your safety. It is very important you read them completely before installing the fixture. We strongly recommend that a licensed, professional electrician perform the installation.

Disconnect fixture from power source before replacing bulbs. Make sure bulbs are given sufficient time to cool before removal.

### Package Contents



### (Step 2 Continued)

C. Remove the Lock Ball (EE) and the Ceiling Canopy (HH). Tighten the Hex Nut (CC) against the Crossbar (AA) to secure in place.

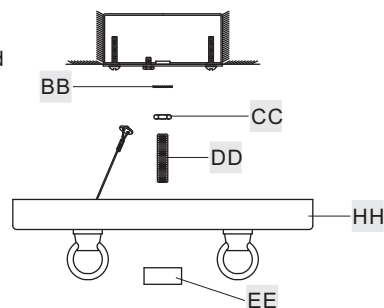
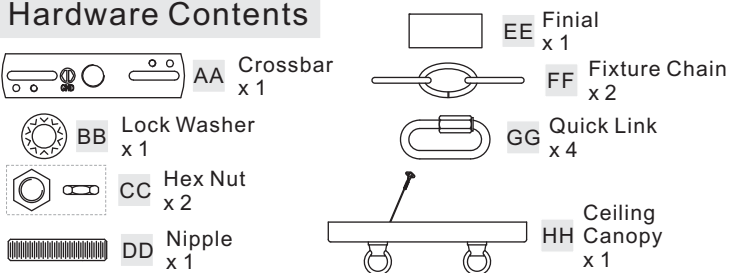


Figure 2

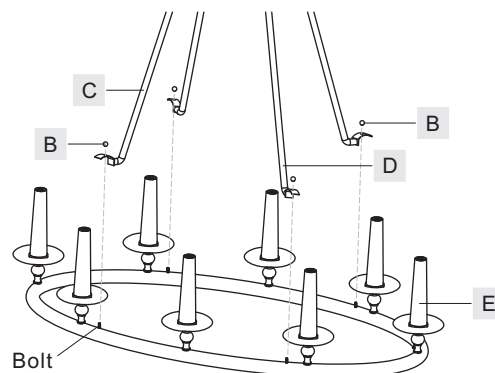
### Hardware Contents



### STEP 3 – Install Side Arms

A. Attach the Tabs at the ends of the Side Arms (C/D) onto the Bolt on the Fixture Body (E), secure by threading the Lock Balls (B) onto the bolts on the ring to secure Side Arms (C/D). Hand tighten until snug.

Figure 3



### STEP 1 – Install the Crossbar to the junction box

A. Attach the Crossbar (AA) to the Outlet Box with the head of the Green Ground Screw facing you. Secure it with Outlet Box Screws (not included), tighten until snug.

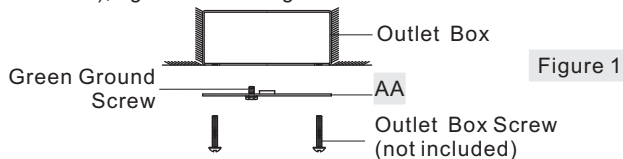


Figure 1

### STEP 2 – Install the Nipple to the Crossbar

A. Thread the Hex Nut (CC) to the middle of the Nipple (DD). Place the Lock Washer (BB) over the Nipple (DD) and then thread the Nipple (DD) into the Crossbar (AA) until the Nipple (DD) is about 0.375" above the Crossbar (AA).  
B. Place the Ceiling Canopy (HH) over the end of the Nipple (DD) against the ceiling to determine the correct position of the Nipple (DD). Thread the Finial (EE) onto the Nipple (DD). Adjust the Nipple (DD) to allow the Ceiling Canopy (HH) to rest against the ceiling when held in place by the Finial (EE).

### STEP 4 – Install Top Ring, Fixture Chains and Ceiling Canopy

A. Attach the hooks on the Side Arms (C/D) to hook holders to the Top Ring (A).  
B. Adjust the Fixture Chain (FF) to your desired length by removing the links if needed. With the Fixture Chain (FF) not attached to the Top Ring (A) and the Ceiling Canopy (HH), pull the supply wires with ground wire through the Fixture Chain (FF) alternating links. After the wires are through the Fixture Chain (FF), pull the Supply Wires and the Ground Wire through the lanyard side of the Ceiling Canopy (HH).  
C. Attach one ends of the Fixture Chains (FF) to the Top Ring (A) with two Quick Links (GG) as shown. Lift the fixture and Fixture Chains (FF) up and attach the other ends of the Fixture Chains (FF) onto the canopy chain loop underside of the Ceiling Canopy (HH) with the rest two Quick Links (GG).

Thank you for purchasing a Quoizel product.

Need assistance with parts or assembly? Call Quoizel customer service at 1-800-645-3184 or visit us on-line at [www.quoise.com](http://www.quoise.com)

#### (Step 4 Continued)

Suggested rods or chain length for Ceiling height :  
8' ceiling : use 4 links of chains and 4 quick links  
9' ceiling : use 14 links of chains and 4 quick links  
10' ceiling : use 24 links of chains and 4 quick links

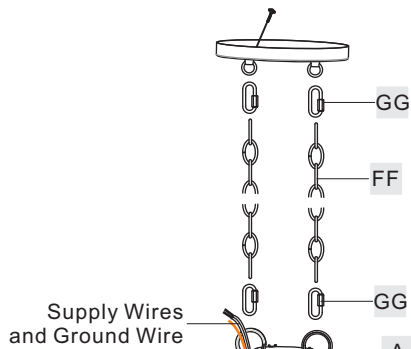
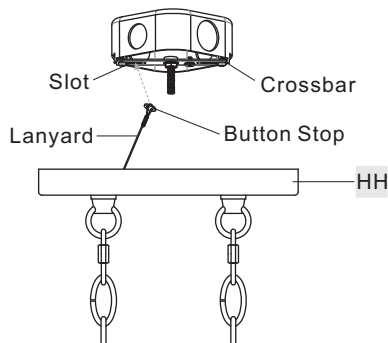


Figure 4

#### STEP 5 - Attach the Lanyard

- The purpose of the lanyard is to provide a means to support the fixture hands free from the junction box while connecting the electrical wires.
- Turn the Button Stop so it may be inserted into a Crossbar slot. Make sure the Button Stop is completely inside the Crossbar. Slowly release the fixture to make sure it is supported by the Button Stop. Proceed to the wiring steps in the next step. Once you are complete with the wiring, the Lanyard will push into the junction box when the fixture is placed for final mounting.

Figure 5



#### STEP 6 - Making the Wire Connections

- Use standard wire connectors (not included) to make all wire connections. Twist connectors until wires are tightly joined together. Wrap each connection with approved electrical tape and carefully stuff all the connected wires into outlet box.

Note: If the electrical wire is going to be cut shorter than provided you will need to identify the "L" line wire and the "N" neutral wire

#### (Step 6 Continued)

before you cut the excess wire off. One is labeled N and the other labeled L. To do this separate the "L" line wire and the "N" neutral wire as far as you need to. Re-label the wire near where you want to make the cut. Be sure to mark the wire on the side of the fixture and not on the excess wire being cut and removed.

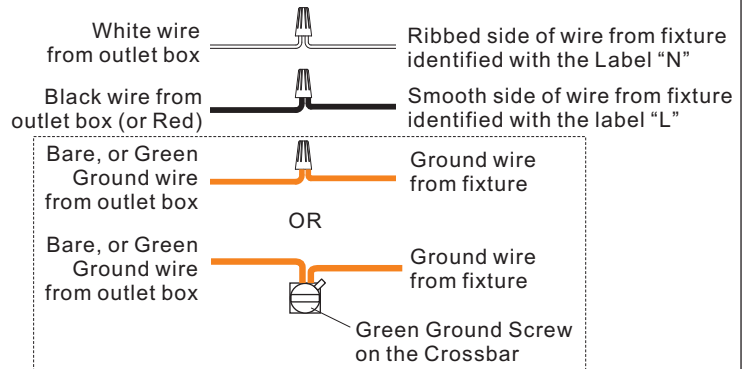


Figure 6

#### STEP 7 - Install Ceiling Canopy to Ceiling

- Attach the Ceiling Canopy (HH) over the end of the Nipple (DD) and secure with the Hex Nut (CC). Tighten until snug.
- Thread the Finial (EE) onto the end of the Nipple (DD) and hand tighten until snug.

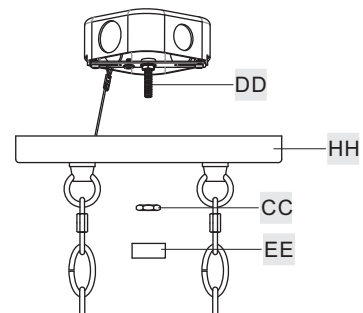


Figure 7

#### STEP 8 - Install Bulbs

- Install bulbs onto sockets and screw snugly into place.

Your fixture is now assembled and ready to use. Enjoy!

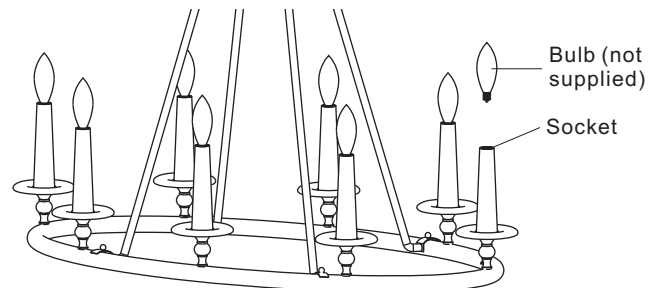
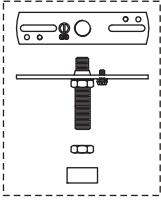


Figure 8

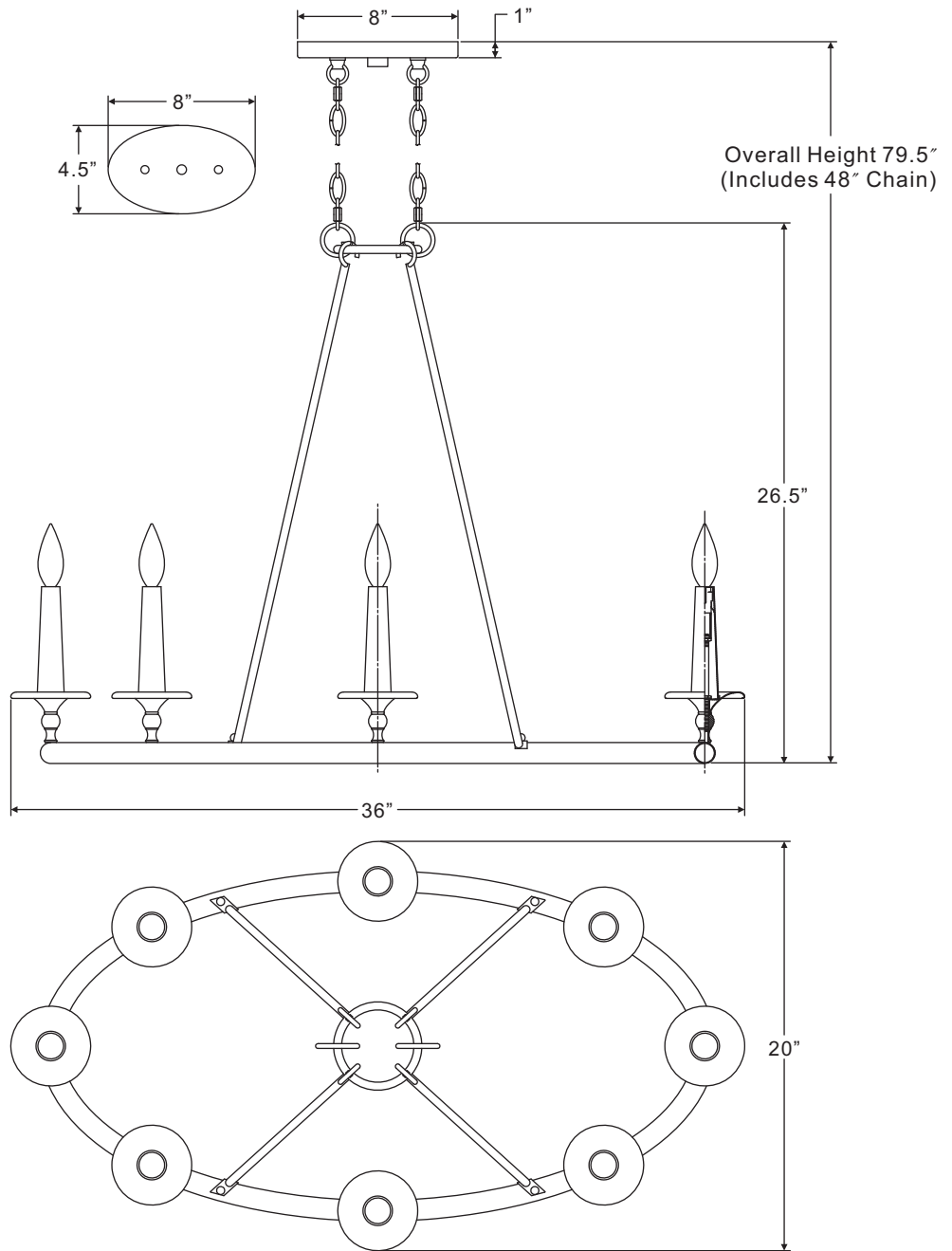
Thank you for purchasing a Quoizel product.  
Need assistance with parts or assembly? Call Quoizel customer service at 1-800-645-3184  
or visit us on-line at [www.quoizel.com](http://www.quoizel.com)

VYR5008BN

FINISH: BRUSHED NICKEL



NOTE: ALL DIMENSIONS ARE ROUNDED UP TO THE NEAREST 1/4"



Thank you for purchasing a Quoizel product.  
Need assistance with parts or assembly? Call Quoizel customer service at 1-800-645-3184  
or visit us on-line at [www.quoise.com](http://www.quoise.com)