

**Q U O I Z E L**  
6 CORPORATE PARKWAY  
GOOSE CREEK, SC. 29445  
www. quozel. com

Quozel, Inc.  
6 Corporate Parkway  
Goose Creek, SC  
29445

Customer Service  
Phone 631.273.2700  
Fax 631.231.7102  
www. quozel. com

## Assembly Instruction Sheet #IS-CRE5004FR For Style CRE5004FR

**Tools Required:** Flathead screwdriver, Phillips screwdriver, pliers, wire cutters, wire strippers, electrical tape, safety glasses.

**Bulb Recommended:** (4) Candelabra Base 60W Maximum

**Estimated Assembly Time:** 20-30 minutes

**Preparation:** Identify and inspect all parts before beginning installation. Check package content list and diagrams below to be sure all parts are present. If any parts are missing or damaged, do not attempt to assemble, install, or operate the fixture. Contact customer service for replacement parts.



### Warnings and Cautions

Turn off electricity at circuit breaker or main fuse box before installation. Consult a licensed electrician if in doubt.

These instructions are provided for your safety. It is very important you read them completely before installing the fixture. We strongly recommend that a licensed, professional electrician perform the installation.

Disconnect fixture from power source before replacing bulbs. Make sure bulbs are given sufficient time to cool before removal. Do not subject glass parts to any shock while in operation or shattering may result.

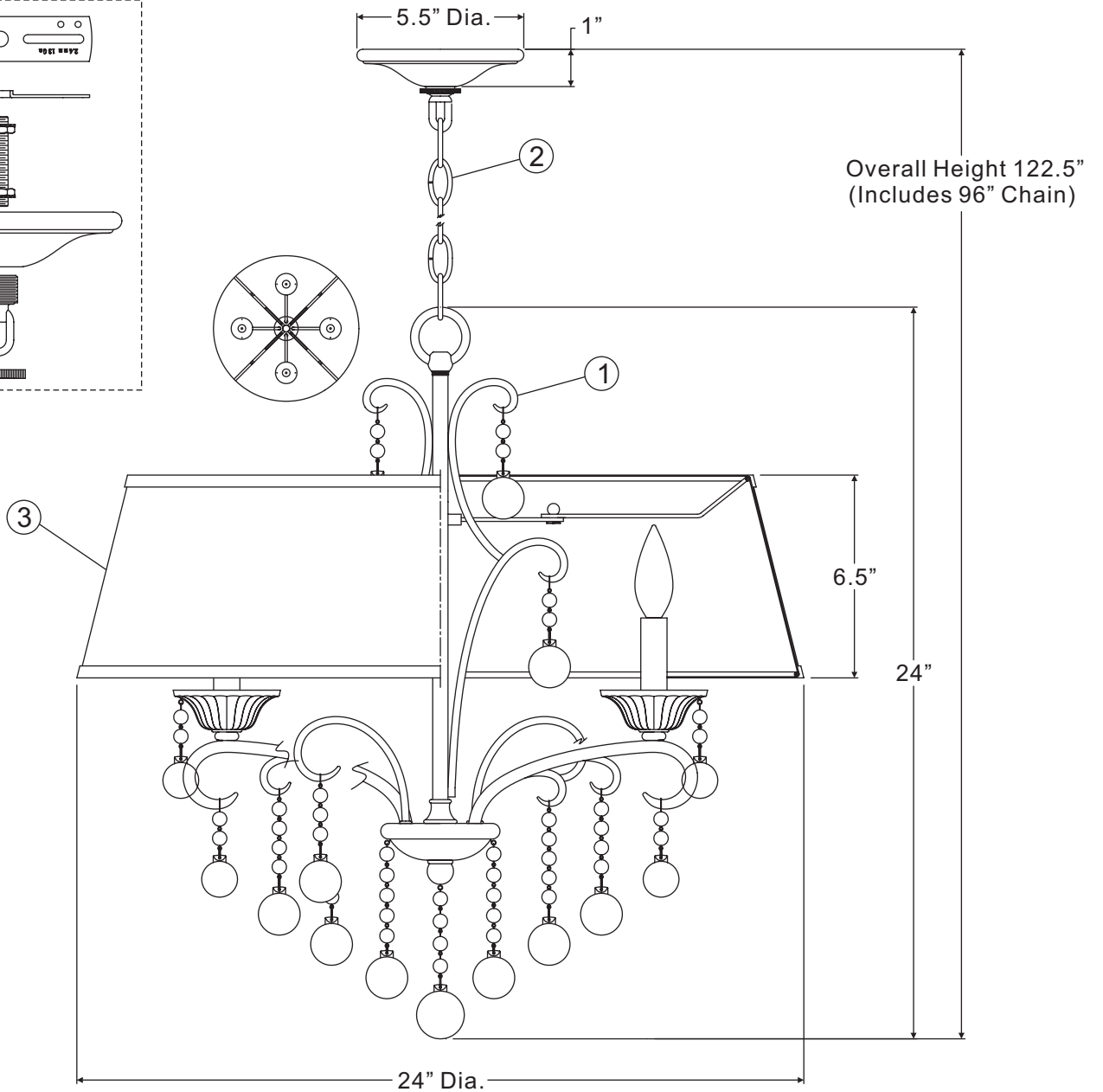
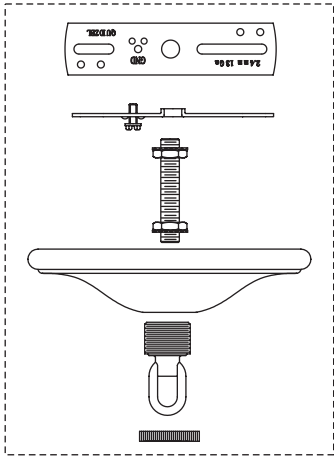
Thank you for purchasing a Quozel product.

Need assistance with parts or assembly? Call Quozel customer service at 1-631-273-2700  
or visit us on-line at [www. quozel. com](http://www. quozel. com)

CRE5004FR

FINISH: FRENCH BRONZE

NOTE: TWO LIGHTS SHOWN FOR ILLUSTRATION PURPOSES ONLY.



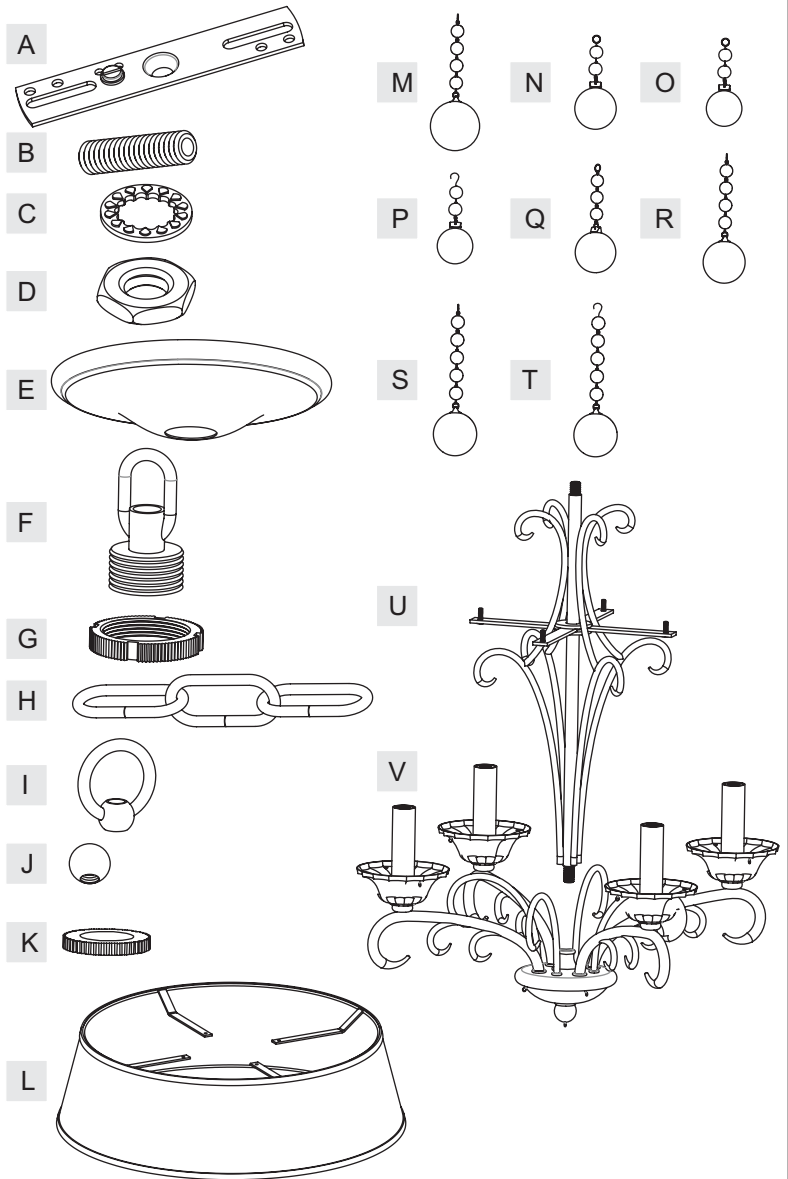
(4) 60W Candelabra Base Bulbs  
(No Supplied)

NOTE: ALL DIMENSIONS ARE ROUNDED UP TO THE NEAREST 1/2"

NO.	PART NUMBER	REPLACEMENT PART DESCRIPTION	REQ.
1	15004FRCRE	BASE FRENCH BRONZE CRE5004RF	1
2	M2301CHFR	CHAIN FRENCH BRONZE 3.8MM X4'	1
3	S1400CF	SHADE CHIFFON 24"X 6.75"	1

**Package Contents**

Part	Description	Quantity
A	Crossbar	1 pc.
B	Nipple	1 pc.
C	Lock Washer	2 pcs.
D	Hex Nut	2 pcs.
E	Ceiling Canopy	1 pc.
F	Canopy Chain Loop	1 pc.
G	Canopy Lock Ring	1 pc.
H	Fixture Chain	1 pc.
I	Fixture Loop	1 pc.
J	Lock Ball	4 pcs.
K	Fixture Body	1 pc.
L	Shade	1 pc.
M	D40mm Crystal Ball with 4 Beads and Loop	1 pc.
N	D35mm Crystal Ball with 2 Beads and Loop	8 pcs.
O	D30mm Crystal Ball with 2 Beads and Loop	4 pcs.
P	D30mm Crystal Ball with 2 Beads and Hook	8 pcs.
Q	D35mm Crystal Ball with 3 Beads and Loop	4 pcs.
R	D35mm Crystal Ball with 4 Beads and Loop	4 pcs.
S	D35mm Crystal Ball with 5 Beads and Loop	4 pcs.
T	D35mm Crystal Ball with 5 Beads and Hook	4 pcs.
U	Central Assembly	1 pc.
V	Socket Assembly	1 pc.



**Thank you for purchasing a Quoizel product.**  
**Need assistance with parts or assembly? Call Quoizel customer service at 1-631-273-2700**  
**or visit us on-line at [www. quozel. com](http://www. quozel. com)**

**STEP 1 – Assemble Central Assembly and Socket Assembly together**

- A. Thread the Nipple on the bottom of Central Assembly (U) onto the Socket Assembly (V). Tighten until snug.
- B. Thread the Knurled (K) onto the Nipple on the top of Central Assembly (U), hand tighten until snug.

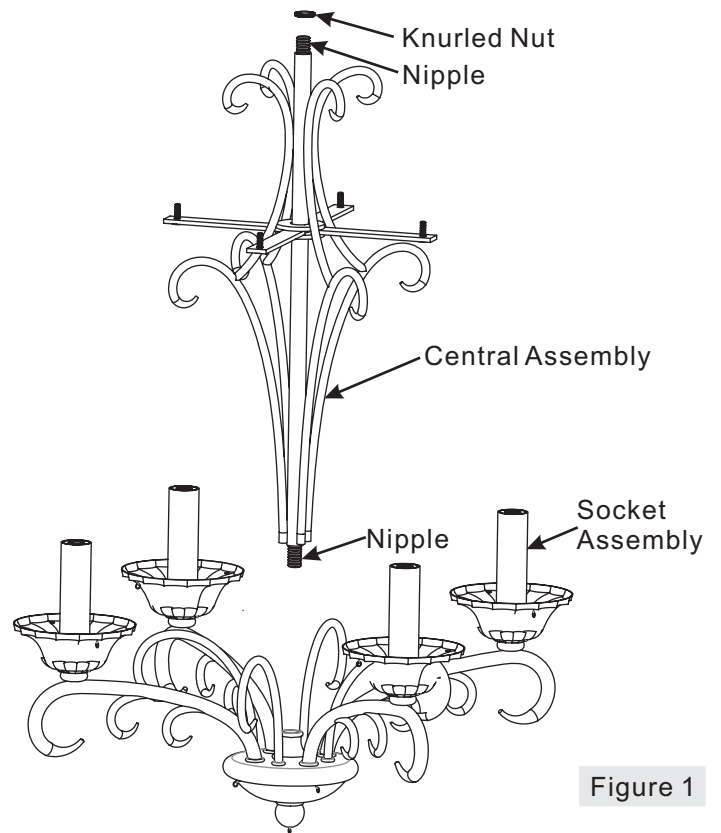


Figure 1

**STEP 2 – Attach Fixture Loop Assembly to Fixture Body**

- A. Thread Fixture Loop (I) to Fixture Body (K). Tighten until snug.

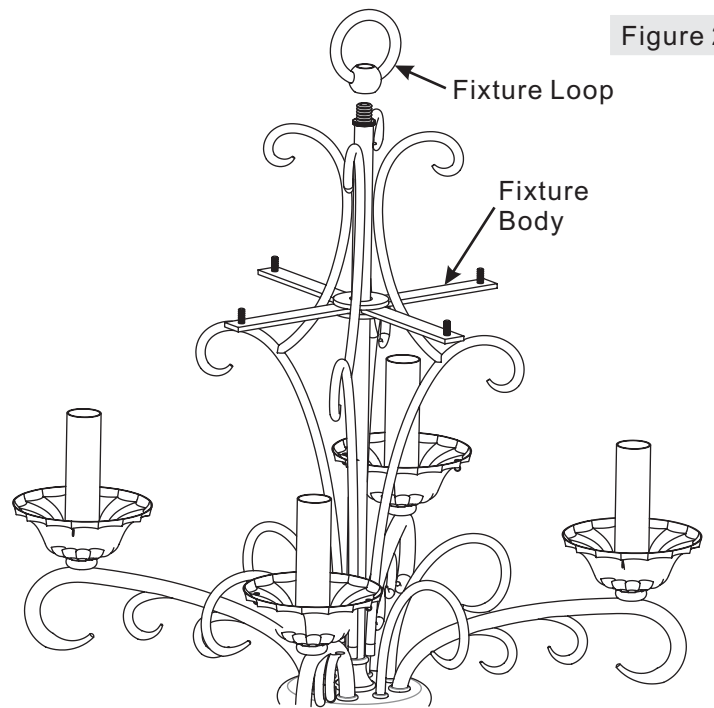


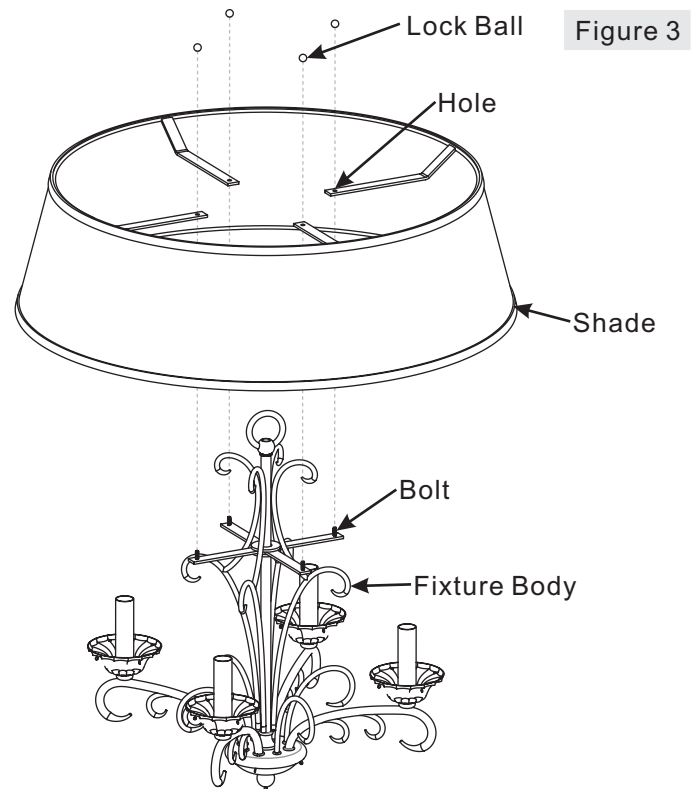
Figure 2

**Thank you for purchasing a Quozel product.**

**Need assistance with parts or assembly? Call Quozel customer service at 1-631-273-2700  
or visit us on-line at www. quozel. com**

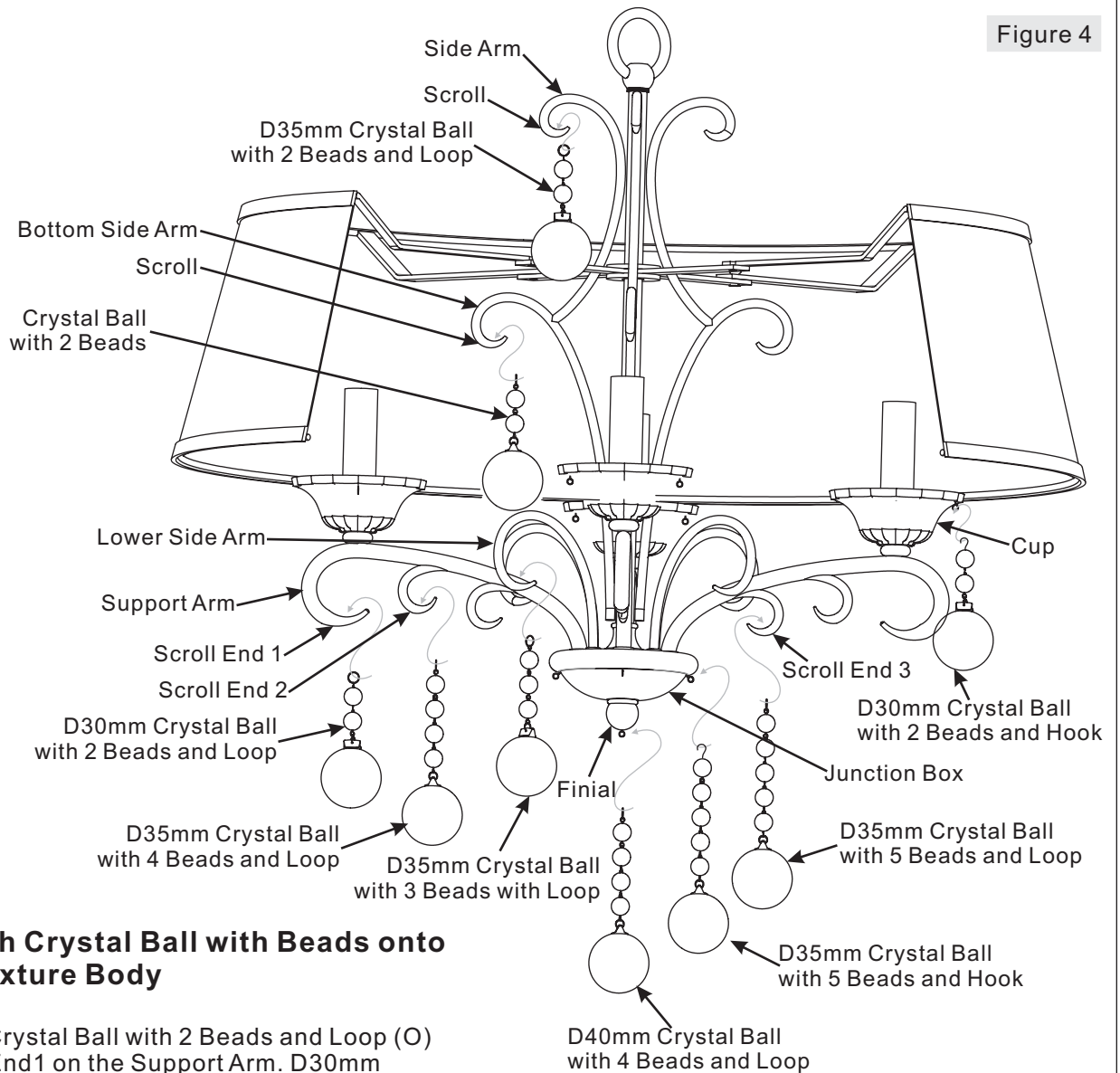
**STEP 3 – Attach Shade to Fixture Body**

- A. Place the Bolt on the Fixture Body (K) through the Hole on the Shade (L), secure by thread Lock Balls (J) onto the Bolt. Tighten until snug.



**Thank you for purchasing a Quozel product.**  
**Need assistance with parts or assembly? Call Quozel customer service at 1-631-273-2700**  
**or visit us on-line at [www. quozel. com](http://www. quozel. com)**

Figure 4



**STEP 4 – Attach Crystal Ball with Beads onto the Fixture Body**

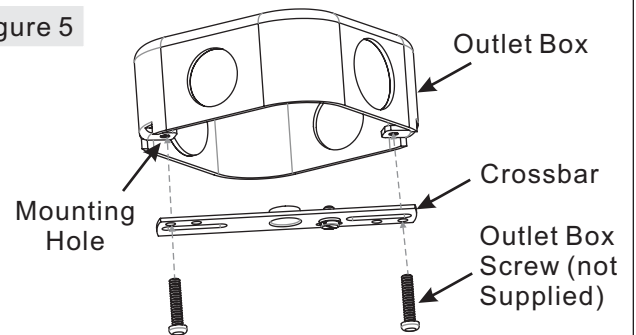
- A. Attach D30mm Crystal Ball with 2 Beads and Loop (O) onto the Scroll End1 on the Support Arm. D30mm Crystal Ball with 2 Beads and Hook (P) onto the Cup. D35mm Crystal Ball with 2 Beads and Loop (N) onto the Scroll on the Side Arm and Scroll on the Bottom Side Arm.
- B. Attach D35mm Crystal Ball with 3 Beads and Loop (Q) onto Lower Side Arm.
- C. Attach D35mm Crystal Ball with 4 Beads and Loop (R) onto Scroll End 2 on the Support Arm. D40mm Crystal Ball with 4 Beads and Loop (M) onto the bottom of Finial.
- D. Attach D35mm Crystal Ball with 5 Beads and Hook (T) on side of Junction Box. D35mm Crystal Ball with 5 Beads and Loop (S) onto Scroll End 3 on the Support Arm.

**Thank you for purchasing a Quoizel product.  
Need assistance with parts or assembly? Call Quoizel customer service at 1-631-273-2700  
or visit us on-line at www. quozel. com**

### STEP 5 – Attach Crossbar to Outlet Box

- A. Secure the Crossbar (A) to the outlet box with outlet box screws (not supplied). Tighten until snug.

Figure 5



### STEP 6 – Attach Nipple to Crossbar

- A. Thread one Hex Nut (D) onto the top end of the Nipple (B).  
B. Place one Lock Washer (C) over the top end of the Nipple (B) and then thread the Nipple (B) into the center lock hole of the Crossbar (A).  
C. Using pliers, thread the hex Nut (D) against the Crossbar (A) and hand tighten until snug.

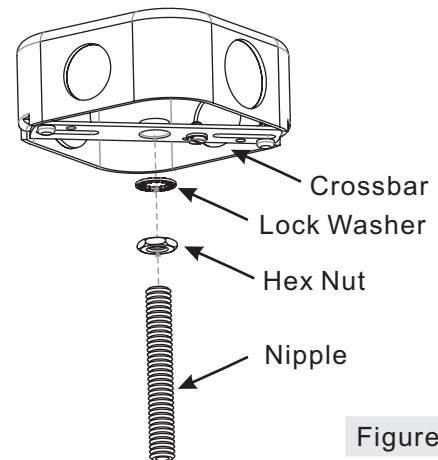


Figure 6

### STEP 7 – Attach Canopy Chain Loop to Nipple

- A. Thread another Hex Nut (D) onto the end of the Nipple (B).  
B. Place the Lock Washer (C) over the end of the Nipple (B) and then thread the Canopy Chain Loop (F) onto the end of the Nipple (B).  
C. Using pliers, thread the Hex Nut (D) against the Canopy Chain Loop (F) and hand tighten until snug.

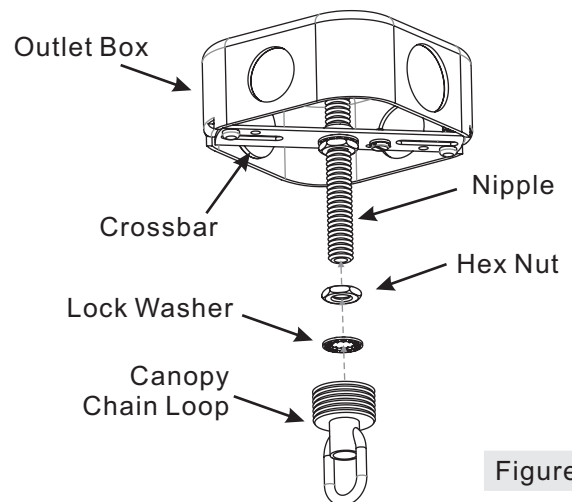


Figure 7

Thank you for purchasing a Quozel product.  
Need assistance with parts or assembly? Call Quozel customer service at 1-631-273-2700  
or visit us on-line at [www. quozel. com](http://www. quozel. com)

**STEP 8 – Assemble Ceiling Canopy**

- A. Push the Ceiling Canopy (E) upward over the Outlet Box. Thread the Canopy Lock Ring (G) onto the Canopy Chain Loop (F) and tighten until snug to secure the Ceiling Canopy (E).

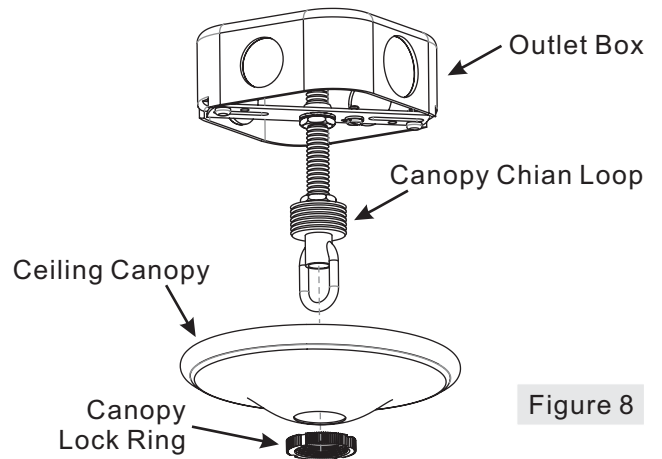


Figure 8

**STEP 9 – Attach Fixture Chain to Canopy Chain Loop and Fixture Loop**

- A. Adjust the Fixture Chain (H) to your desired length by removing the links if needed. You may need to use plier to open the chain links. If so, put a cloth over the chain to protect the finish from the pliers.
- B. Attach one end of the Fixture Chain (H) onto the Canopy Chain Loop (F) and then attach the other end of the Fixture Chain (H) onto the Fixture Loop on the top of the Fixture Loop Assembly (J).

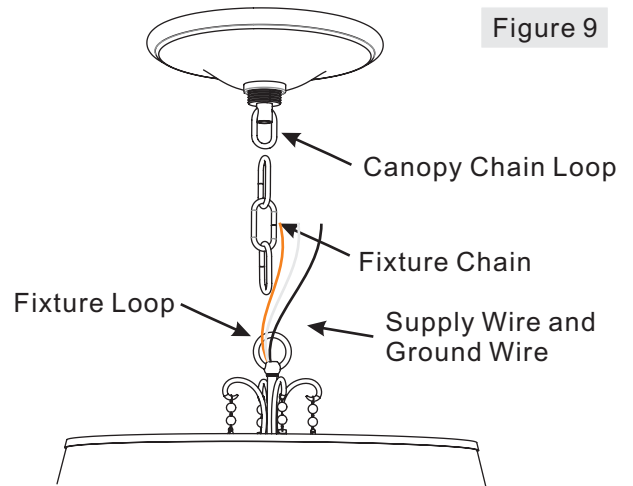


Figure 9

**STEP 10 – Pass Supply Wires through Fixture Chain**

- A. Pull the Supply Wires and Ground Wire up through the Fixture Chain (H) alternating links. Push the wires up through the Canopy Chain Loop (F) into the outlet box.

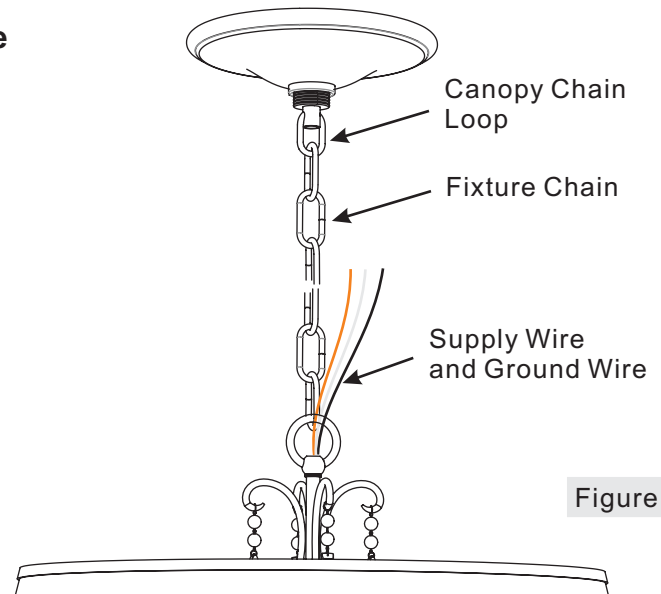


Figure 10

**Thank you for purchasing a Quozel product.**  
**Need assistance with parts or assembly? Call Quozel customer service at 1-631-273-2700**  
**or visit us on-line at [www. quozel. com](http://www. quozel. com)**



**STEP 11 – Make Wire Connections**

- A. Un-thread the Canopy Lock Ring (G) and slide Canopy Lock Ring (G) and Ceiling Canopy (E) down the Fixture Chain (H).
- B. Push all slack fixture wire through Canopy Chain Loop (F) into Outlet Box. Trim excess fixture wire leaving a minimum of 6 inch. Hanging out of the Outlet Box.
- C. Use standard wire connectors to make all wire connections. (Connectors are not included with fixture.) Strip and prepare wire ends according to instructions supplied with connectors.
- D. Connect White Supply Wire from the Outlet Box to White Wire from fixture.
- E. Connect Black (or Red) Supply Wire from the Outlet Box to Black Wire from fixture.
- F. Connect Ground Wire from the Outlet Box to Ground Wire from fixture.
- G. Twist connectors until wires are tightly joined together.
- H. Wrap each connection with approved electrical tape and carefully stuff all the connected wires into the Outlet Box.
- G. Re-attach the Ceiling Canopy (E) as shown in Step 8.

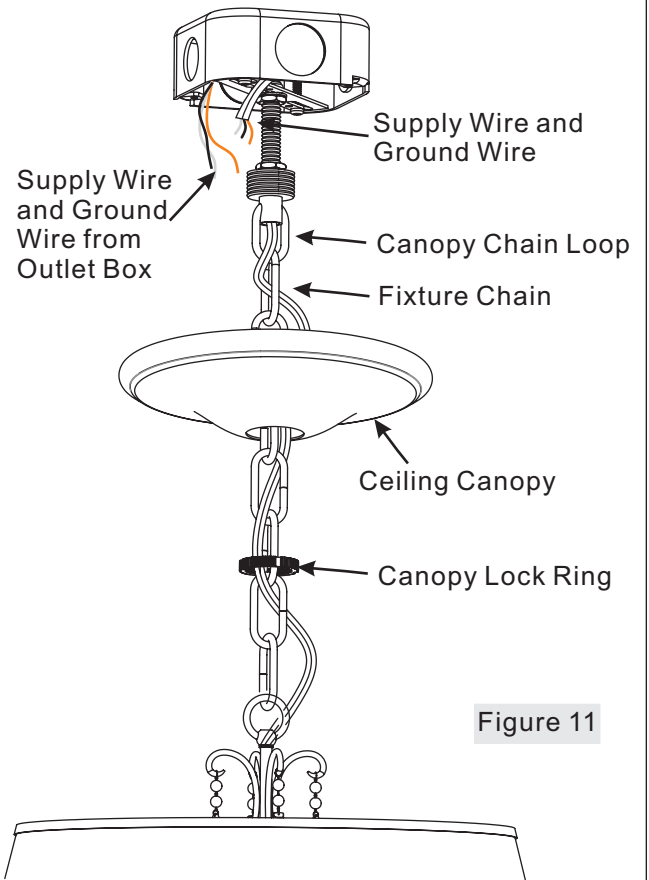


Figure 11

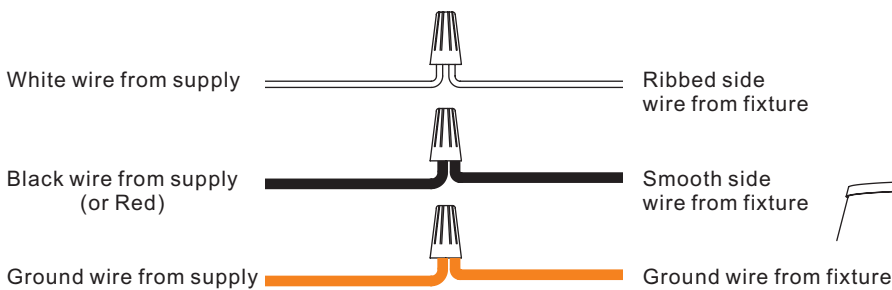


Figure 12

**STEP 12 – Install Bulb**

- A. This fixture uses standard bulbs with a standard screw base. Maximum 60 watts.
- B. Insert bulb and screw properly into place.

Your fixture is now assembled and ready to use.  
 Enjoy!

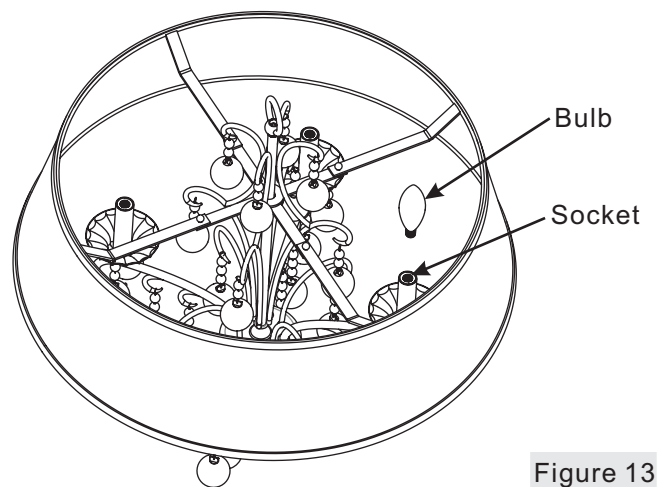


Figure 13

**Thank you for purchasing a Quozel product.**  
**Need assistance with parts or assembly? Call Quozel customer service at 1-631-273-2700**  
**or visit us on-line at www. quozel. com**