

Please go to www. quozel. com for product cleaning tips. Go to the **Care + Maintenance** selection.

Tools Required: Flathead screwdriver, Phillips screwdriver, pliers, wire cutters, wire strippers, electrical tape, safety glasses.

Light Source: (4) Candelabra Base Bulbs 60W Maximum

Estimated Assembly Time: 20-30 minutes

Preparation: Identify and inspect all parts before beginning installation. Check package content list and diagrams below to be sure all parts are present. If any parts are missing or damaged, do not attempt to assemble, install, or operate the fixture. Contact customer service for replacement parts.

Note: This CONVERTIBLE fixture can be mounted as pendant light or semi-flush light. Refer to respective installation steps for installations.

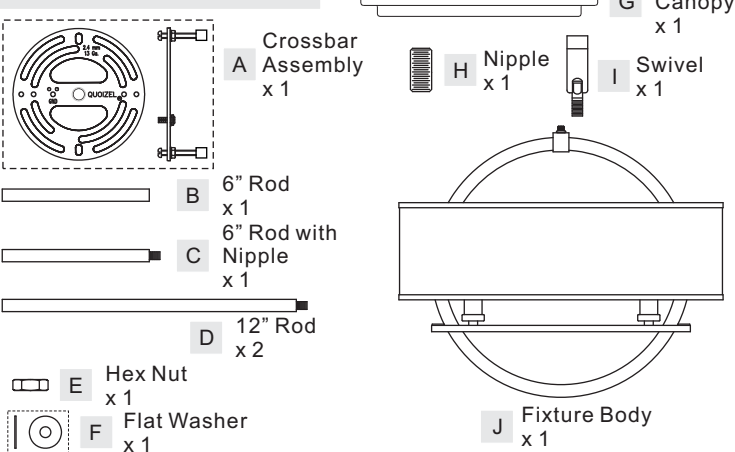
⚠ Warnings and Cautions

Turn off electricity at circuit breaker or main fuse box before installation. Consult a licensed electrician if in doubt.

These instructions are provided for your safety. It is very important you read them completely before installing the fixture. We strongly recommend that a licensed, professional electrician perform the installation.

Disconnect fixture from power source before replacing bulbs. Make sure bulbs are given sufficient time to cool before removal. Do not subject glass parts to any shock while in operation or shattering may result.

Package Contents

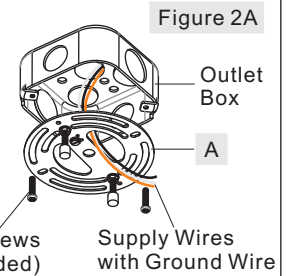


(Step 1A Contined)

9' ceiling : use (1) 6" rod and (2) 12" rods
10' ceiling: use (2) 6" rods and (2) 12" rods

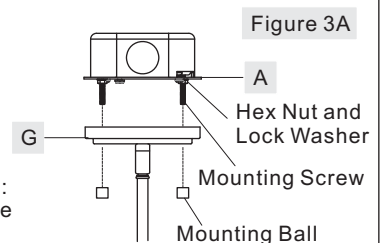
STEP 2A - Install Crossbar Assembly

A. Pass the supply wires through the Crossbar Assembly (A). Attach the Crossbar Assembly (A) to the Outlet Box with the head of the Green Ground Screw facing you. Secure it with Outlet Box Screws (not included). Tighten until snug.



STEP 3A - Fit Ceiling Canopy to Crossbar Assembly

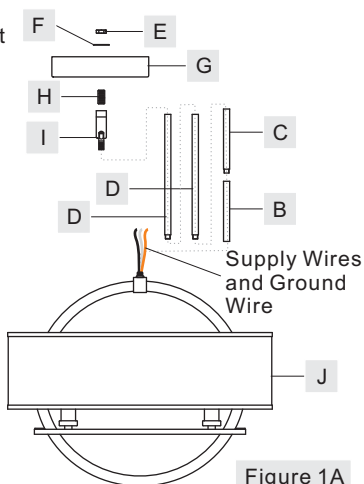
A. Remove mounting balls from the Crossbar Assembly (A). Fit the Ceiling Canopy (G) to the Crossbar Assembly (A) and secure with mounting balls. Note: The Ceiling Canopy (G) should be snug against the ceiling and the mounting balls. If not, adjust the length of the nipple on the Crossbar Assembly (A) by unscrewing the preassembled hex nut and lock washer and then screwing the mounting screws in or out of the crossbar until the correct length is achieved. Once the Ceiling Canopy (G) is secure, remove the mounting ball and Ceiling Canopy (G) and proceed to Step 4A.



Assembly Instructions for Pendant Light (Step 1A - Step 6A)

STEP 1A - Install Ceiling Canopy, Rods and Socket Assembly together

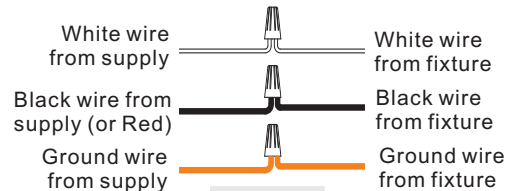
- Thread Nipple (H) onto the Swivel (I). Place Ceiling Canopy (G) and Flat Washer (F) over the Nipple (H), secure by threading Hex Nut (E) onto the Nipple (H), tighten until snug.
- Determine the Rods (B/C/D) to be assembled to the Fixture Body (J) according to your hanging height.
- Pass the supply wires and ground wire through the chosen rods (B/C/D) and the Ceiling Canopy with Swivel. Thread the Fixture Body (J), the chosen Rods (B/C/D) and the Ceiling Canopy with Swivel together. Hand tighten until snug.



Suggested rods for Ceiling height:
8' ceiling : use (1) 6" rod and (1) 12" rod

STEP 4A - Wire Connections

A. Use standard wire connectors (not included) to make all wire connections. (Connectors are not included with fixture.) Twist connectors until wires are tightly joined together. Wrap each connection with approved electrical tape and carefully stuff all the connected wires into the Outlet Box.



Thank you for purchasing a Quoizel product.
Need assistance with parts or assembly? Call Quoizel customer service at 1-631-273-2700
or visit us on-line at www. quozel. com

STEP 5A - Install Fixture Body

A. Carefully tuck all wires into the outlet box and position the Ceiling Canopy (G) over the outlet box. Align the holes in the Ceiling Canopy (G) with the mounting screws, then attach the Ceiling Canopy (G) using the previously removed mounting balls. Hand tighten until snug.

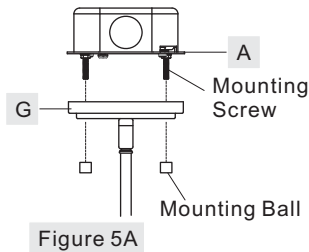


Figure 5A

STEP 3B - Fit Ceiling Canopy to Crossbar Assembly

A. Remove mounting balls from the Crossbar Assembly (A). Fit the Ceiling Canopy (G) to the Crossbar Assembly (A) and secure with mounting balls. Note: The Ceiling Canopy (G) should be snug against the ceiling and the mounting balls. If not, adjust the length of the nipple on the Crossbar Assembly (A) by unscrewing the preassembled hex nut and lock washer and then screwing the mounting screws in or out of the crossbar until the correct length is achieved. Once the Ceiling Canopy (G) is secure, remove the mounting ball and Ceiling Canopy (G) and proceed to Step 4B.

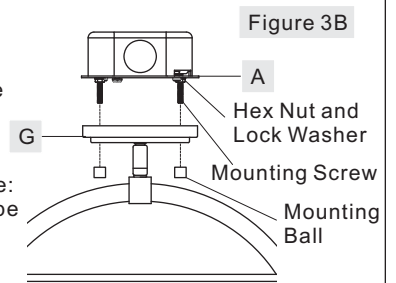


Figure 3B

STEP 6A - Install Bulb

A. This fixture uses standard bulbs with a standard screw base. Maximum 60 watts. Insert bulb and screw properly into place.

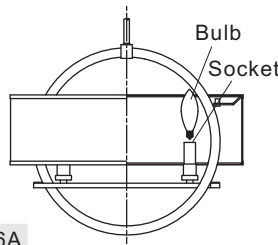


Figure 6A

STEP 4B - Wire Connections

A. Use standard wire connectors (not included) to make all wire connections. (Connectors are not included with fixture.) Twist connectors until wires are tightly joined together. Wrap each connection with approved electrical tape and carefully stuff all the connected wires into the Outlet Box.

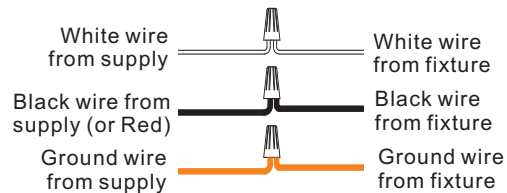
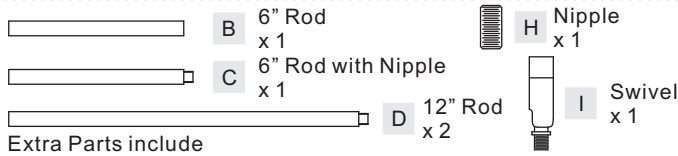


Figure 4B

Assembly Instructions for Semi-flush Light (Step 1B - Step 6B)

Part B, Part C, Part D, Part H and Part I will not be used in the assembly of the Semi-Flush Light fixture. Please set aside these parts.



STEP 1B - Install Ceiling Canopy to Socket Assembly

A. Pass supply wires with ground wire through the Ceiling Canopy (G), Flat Washer (F) and Hex Nut (E). Place the Ceiling Canopy (G) and the Flat Washer (F) onto the nipple on the top center of the Fixture Body (J). Secure by threading the Hex Nut (C) onto the nipple. Hand tighten until snug. Cut the wires leaving approximately 6" of wire extending from the Ceiling Canopy.
 B. Optional Swivel: Install the swivel to the nipple on the top center of the Fixture Body (J) and then attach the Ceiling Canopy (G) to the Swivel using the Flat Washer (F) and the Hex Nut (E).

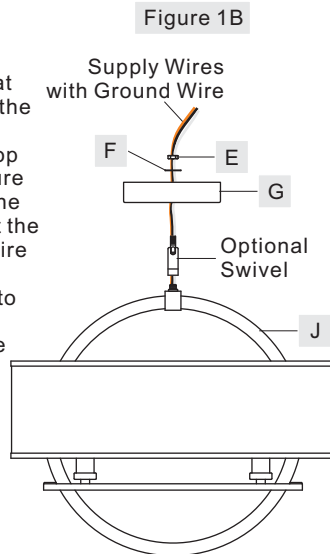


Figure 1B

STEP 5B - Install Fixture Body

A. Carefully tuck all wires into the outlet box and position the Ceiling Canopy (G) over the outlet box. Align the holes in the Ceiling Canopy (G) with the mounting screws, then attach the Ceiling Canopy (G) using the previously removed mounting balls. Hand tighten until snug.

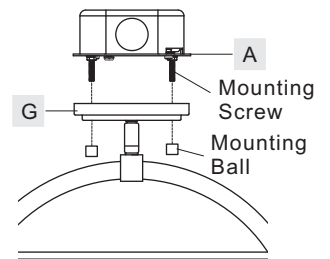


Figure 5B

STEP 6B - Install Bulb

A. This fixture uses standard bulbs with a standard screw base. Maximum 60 watts. Insert bulb and screw properly into place.

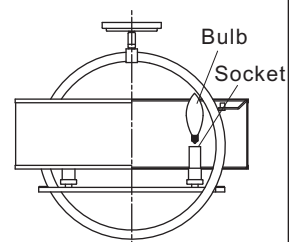


Figure 6B

Your fixture is now assembled and ready to use. Enjoy!

STEP 2B - Install Crossbar Assembly

A. Pass the supply wires through the Crossbar Assembly (A). Attach the Crossbar Assembly (A) to the Outlet Box with the head of the Green Ground Screw facing you. Secure it with Outlet Box Screws (not included). Tighten until snug.

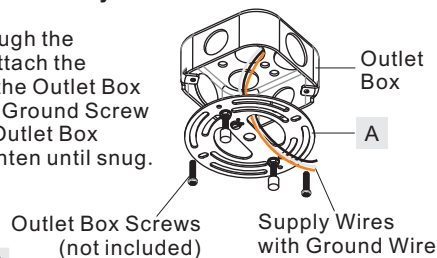
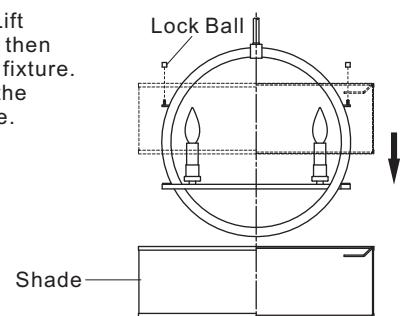


Figure 2B

How To Replace The Shade

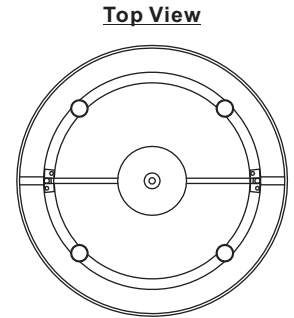
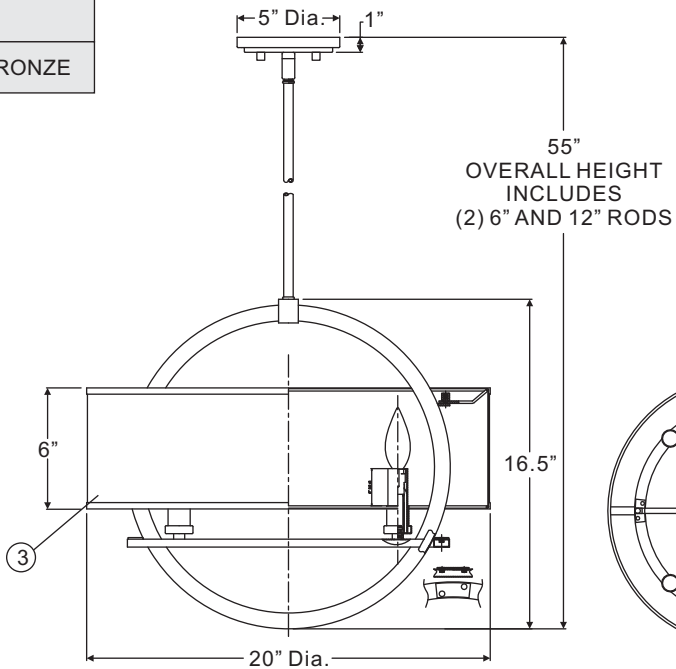
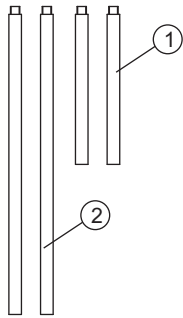
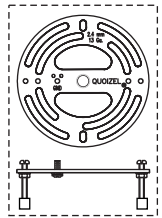
Unlock Lock Balls from fixture. Lift Shade upward and rotate it, and then remove it from the bottom of the fixture. Reverse the steps to assemble the replacement Shade to the fixture.



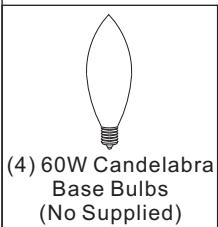
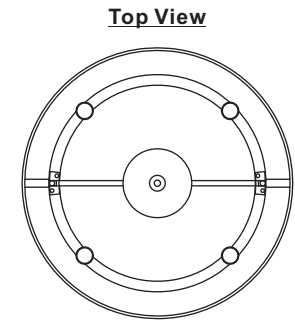
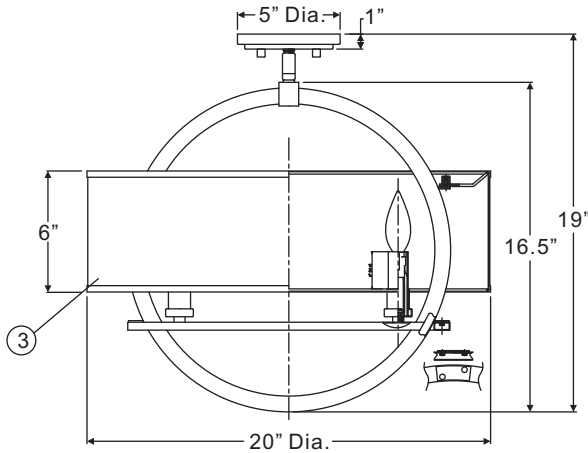
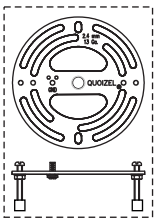
Thank you for purchasing a Quoizel product.
 Need assistance with parts or assembly? Call Quoizel customer service at 1-631-273-2700 or visit us on-line at www.quoise.com

PTD2820BN	PTD2820WT
FINISH: BRUSHED NICKEL	FINISH: WESTERN BRONZE

PENDANT



SEMI-FLUSH



(4) 60W Candelabra Base Bulbs
(No Supplied)

NOTE: ALL DIMENSIONS ARE ROUNDED UP TO THE NEAREST 1/2"

NO.	PART NUMBER	REPLACEMENT PART	REQ.	STYLE NUMBER	NO.	PART NUMBER	REPLACEMENT PART	REQ.	STYLE NUMBER
1	9006EXBN	6" ROD	2	PTD2820BN	1	9006EXWT	6" ROD	2	PTD2820WT
2	9012EXBN	12" ROD	2		2	9012EXWT	12" ROD	2	
3	S1540CC	SHADE	1		3	S1539GC	SHADE	1	

Thank you for purchasing a Quoizel product.
Need assistance with parts or assembly? Call Quoizel customer service at 1-631-273-2700
or visit us on-line at www.quoise.com