

SAFETY INFORMATION

Please read and understand this entire manual before attempting to assemble, install or operate the product.

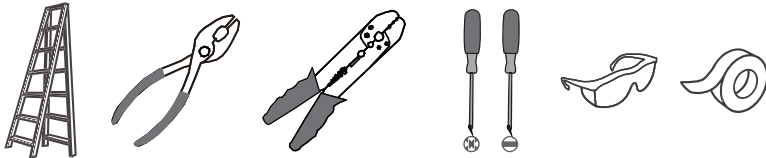
WARNING

- RISK OF ELECTRIC SHOCK - Before beginning installation, turn off electricity at the circuit breaker box or the main fuse box.
- RISK OF FIRE - Use bulbs specified by the markings and/or labels on the fixture.
- Use ONLY LED bulbs in this fixture. Incandescent and halogen lamps may cause severe thermal damage.

CAUTION

- For your safety, read instructions completely before beginning installation.
- If in doubt about electrical installation, consult a licensed electrician.
- Turn off electricity to fixture before replacing the bulb(s).

TOOLS REQUIRED

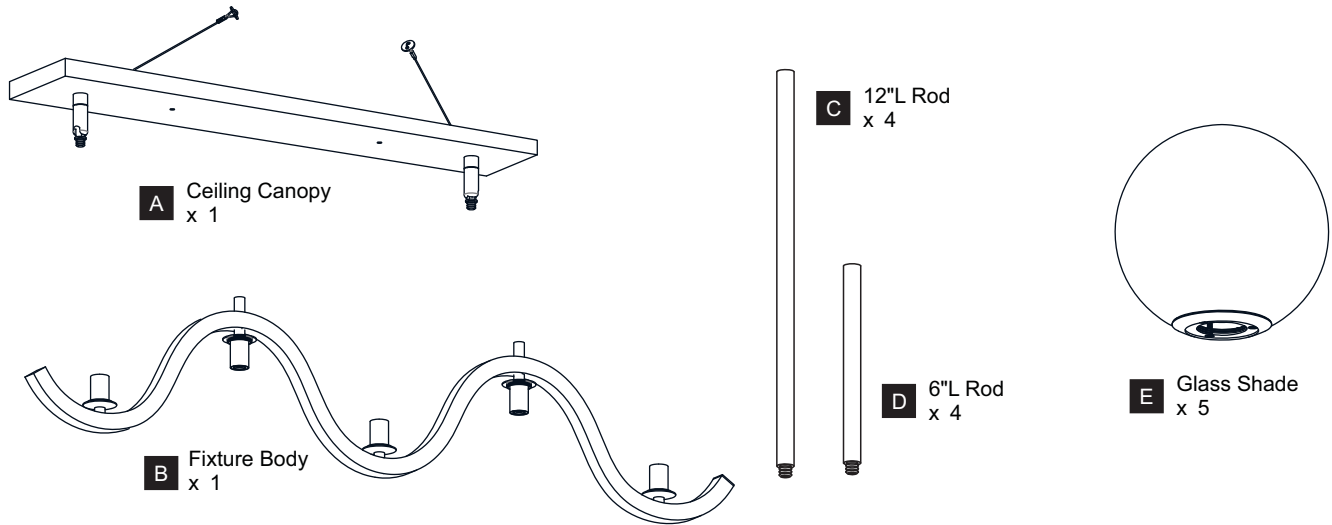


CARE AND MAINTENANCE

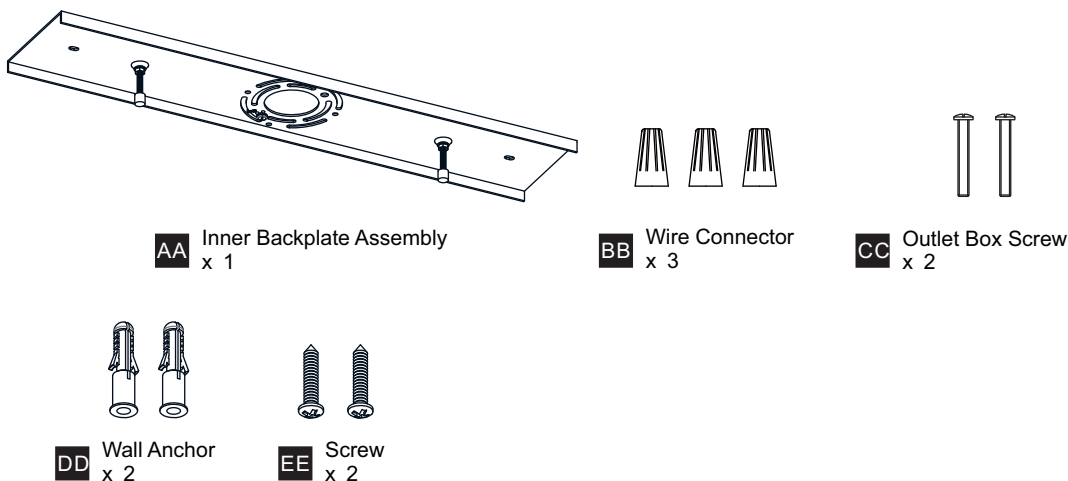
- Wipe clean using soft, dry cloth or static duster. Always avoid using harsh chemicals and abrasives to clean fixture as they may damage the finish.

If you need further assistance call Quozel Customer Care at 1-800-645-3184 (9:00am - 5:00pm EST), or visit us on-line at www.quezel.com.

PACKAGE CONTENTS



MOUNTING HARDWARE



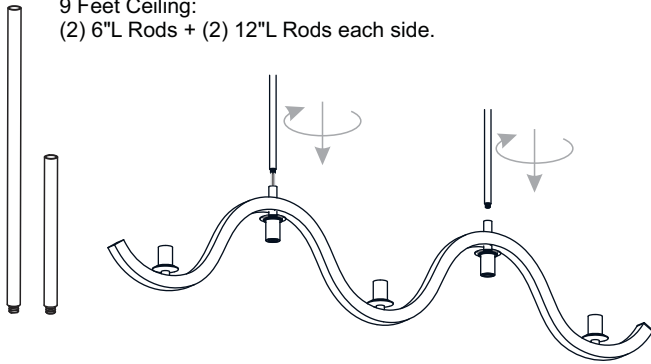
INSTALLATION

1 Install Rods

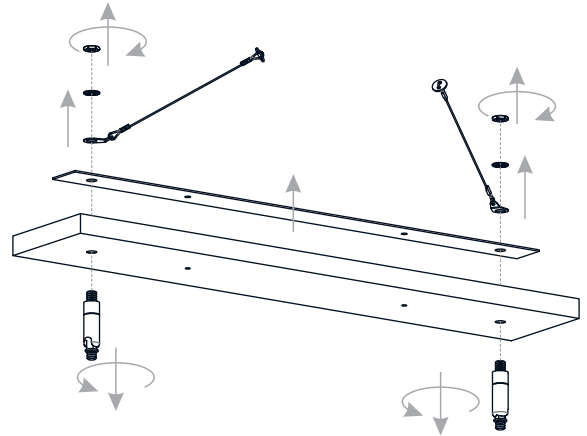
Optional Rods:

8 Feet Ceiling:
(2) 12"L Rods each side.

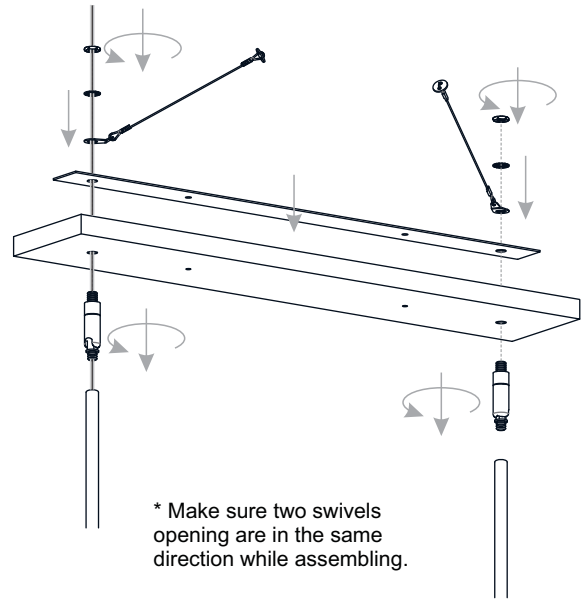
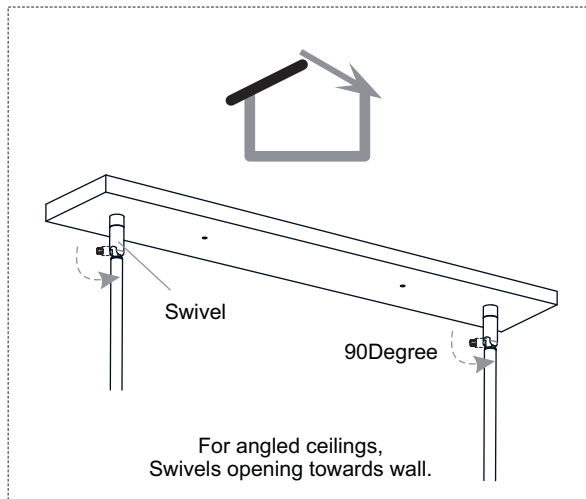
9 Feet Ceiling:
(2) 6"L Rods + (2) 12"L Rods each side.



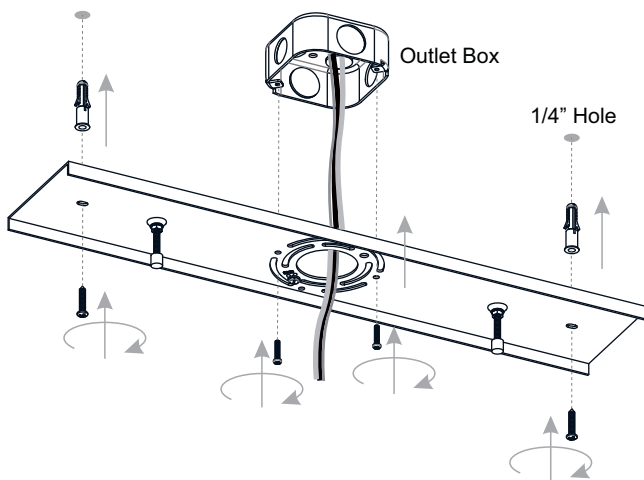
2 Remove Swivels From Ceiling Canopy



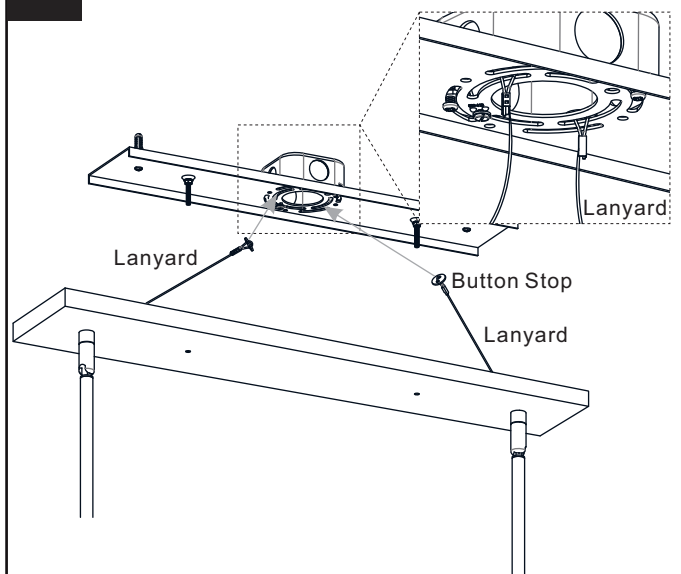
3 Install Swivels, Ceiling Canopy and Lanyards to Upper Rods



4 Install Inner Backplate Assembly

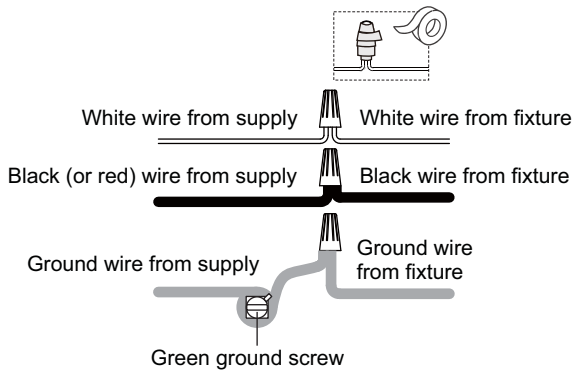


5 Install Lanyards

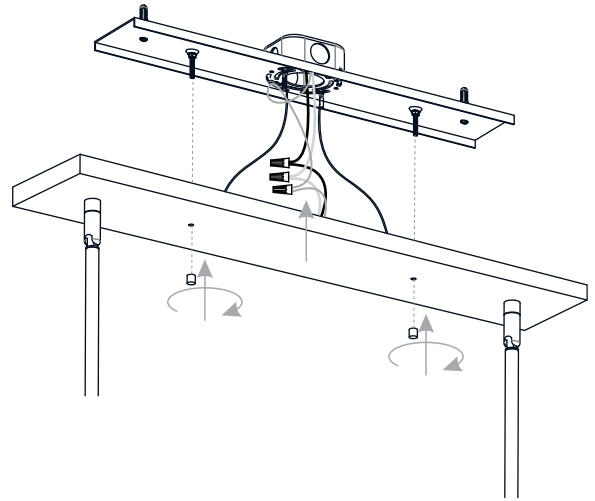


INSTALLATION

6 Wiring



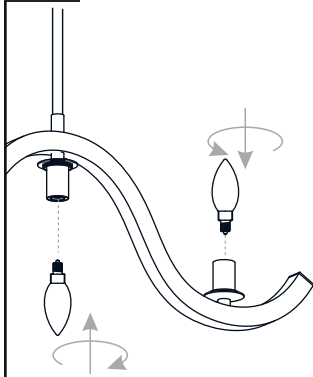
7 Install Ceiling Canopy to Inner Backplate Assembly



8 Install Bulbs

Install five correct bulbs referring to fixture markings and/or labels for maximum wattage.

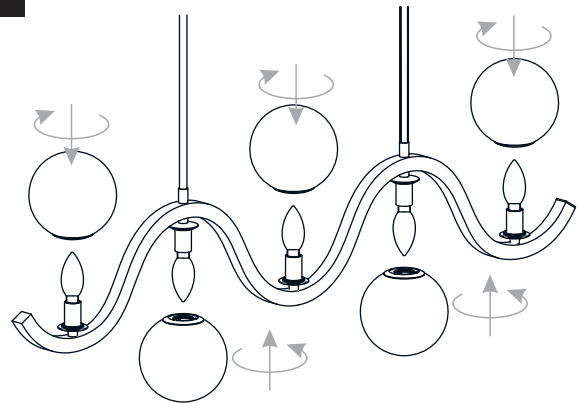
Recommended Bulb Type (not included):




BULB BASE TYPE
Candelabra (E12)


15W
BULB SHAPE
TYPE B
LED ONLY

9 Install Glass Shades



Your installation is now complete! Restore electricity and save this sheet for future reference.