

! SAFETY INFORMATION

Please read and understand this entire manual before attempting to assemble, install or operate the product.

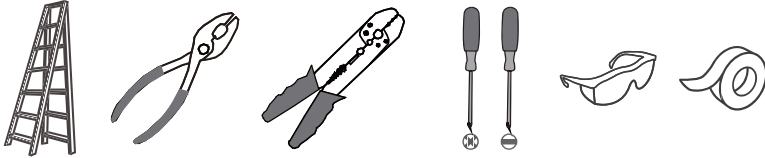
WARNING

- RISK OF ELECTRIC SHOCK - Before beginning installation, turn off electricity at the circuit breaker box or the main fuse box.
- RISK OF FIRE - Use bulbs specified by the markings and/or labels on the fixture.

CAUTION

- For your safety, read instructions completely before beginning installation.
- If in doubt about electrical installation, consult a licensed electrician.
- Turn off electricity to fixture before replacing the bulb(s).

TOOLS REQUIRED

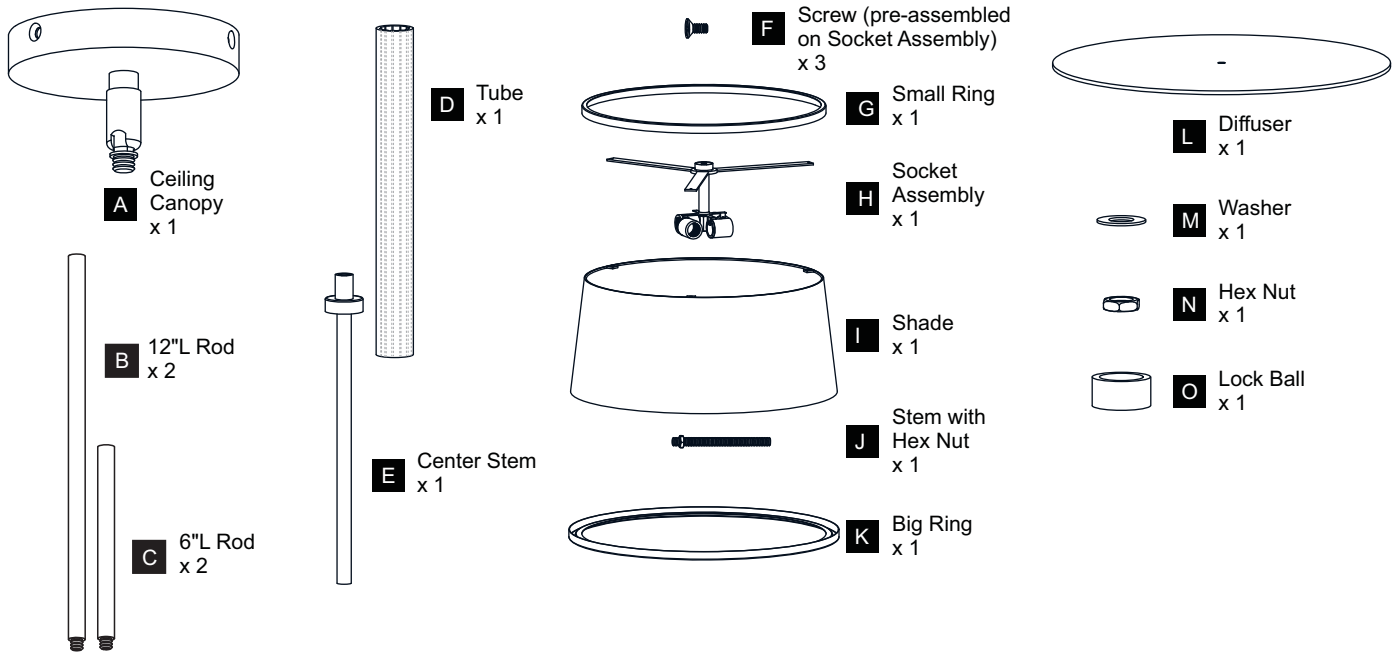


CARE AND MAINTENANCE

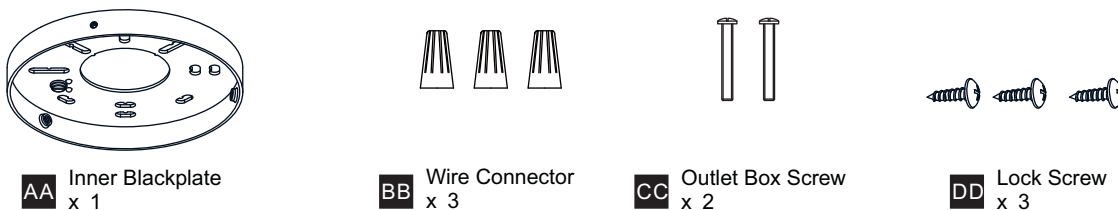
- Wipe clean using soft, dry cloth or static duster. Always avoid using harsh chemicals and abrasives to clean fixture as they may damage the finish.

If you need further assistance call Quozel Customer Care at 1-800-645-3184 (9:00am - 5:00pm EST), or visit us on-line at www.quozel.com.

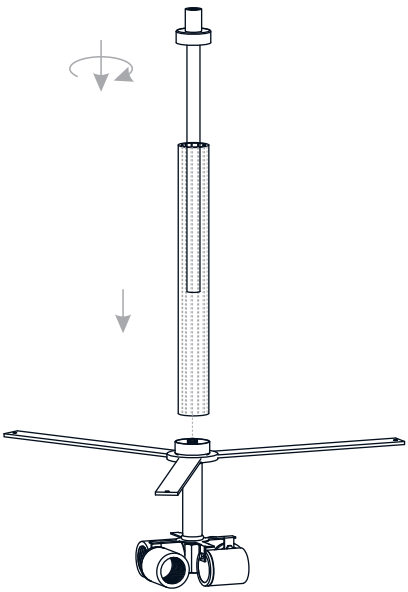
PACKAGE CONTENTS



MOUNTING HARDWARE

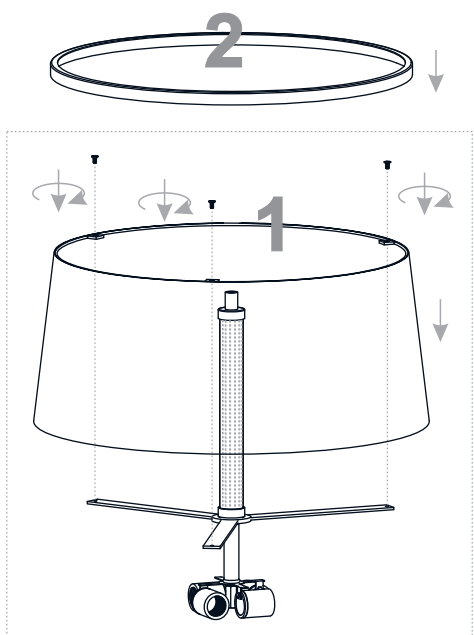


1 Install Center Stem and Tube



The diagram shows a vertical center stem with a textured tube being inserted into the top of a lamp base. The base has two horizontal arms and two light sockets. Arrows indicate the stem is pushed down and rotated.

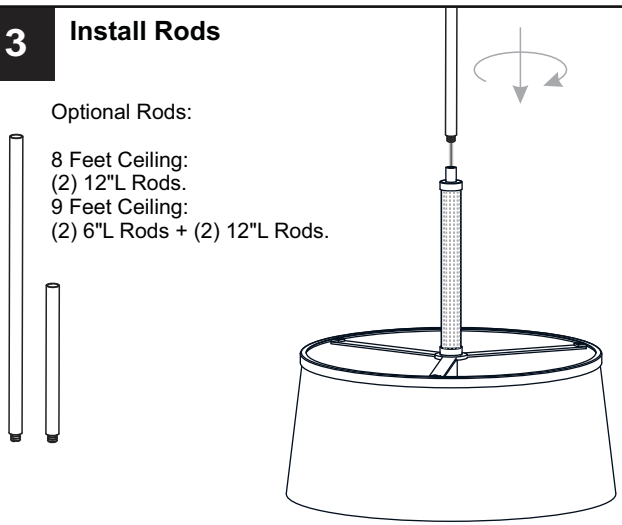
2 Install Shade and Small Ring



The diagram shows a large, tapered lamp shade being placed over the center stem. A small ring is being attached to the top of the stem. Arrows indicate the shade is pushed down and rotated, and the ring is also rotated.

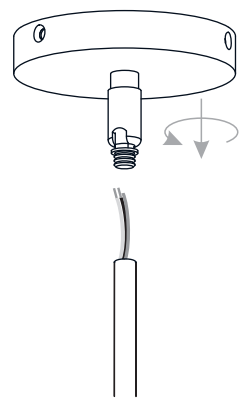
3 Install Rods

Optional Rods:
8 Feet Ceiling:
(2) 12"L Rods.
9 Feet Ceiling:
(2) 6"L Rods + (2) 12"L Rods.



The diagram shows two vertical rods being inserted into the shade assembly. One rod is already in place, and the second is being added. Arrows indicate the rods are rotated.

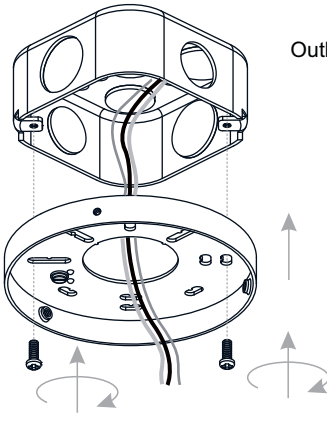
4 Install Ceiling Canopy to Upper Rod



The diagram shows a circular ceiling canopy being attached to the top of the upper rod. Arrows indicate the canopy is rotated and pushed down.

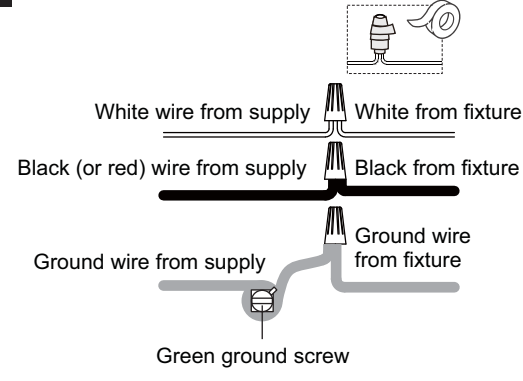
5 Install Crossbar Assembly

Outlet Box



The diagram shows a crossbar assembly being attached to an outlet box. The outlet box is a square metal box with two light sockets. Arrows indicate the crossbar is rotated and pushed up.

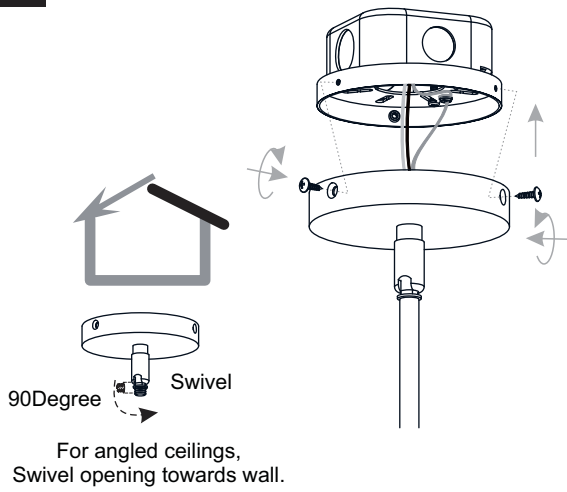
6 Wiring



The diagram shows the wiring connections for the lamp fixture. It includes a legend for the wiring colors and a diagram of the wiring connections.

White wire from supply White from fixture
Black (or red) wire from supply Black from fixture
Ground wire from supply Ground wire from fixture
Green ground screw

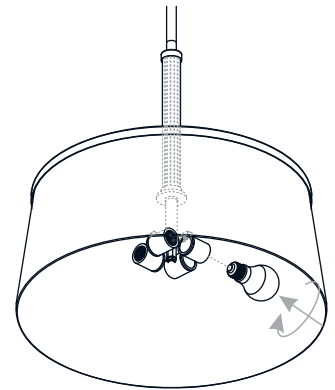
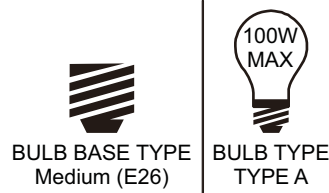
7 Install Ceiling Canopy to Inner Backplate



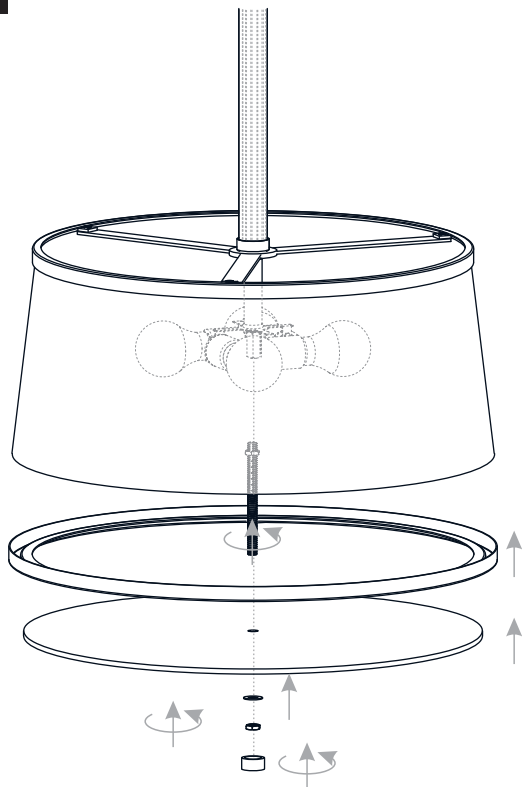
8 Install Bulbs

Install four correct bulbs referring to fixture markings and/or labels for maximum wattage.

Recommended Bulb Type (not included):



9 Install Diffuser



Your installation is now complete! Restore electricity and save this sheet for future reference.