

SAFETY INFORMATION

Please read and understand this entire manual before attempting to assemble, install or operate the product.

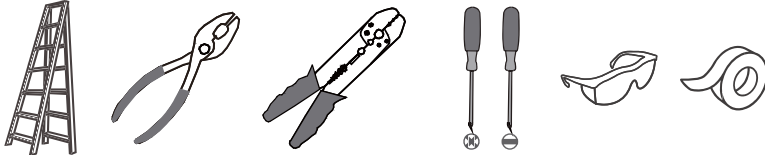
WARNING

- RISK OF ELECTRIC SHOCK - Before beginning installation, turn off electricity at the circuit breaker box or the main fuse box.
- RISK OF FIRE - Use bulbs specified by the markings and/or labels on the fixture.

CAUTION

- For your safety, read instructions completely before beginning installation.
- If in doubt about electrical installation, consult a licensed electrician.
- Turn off electricity to fixture before replacing the bulb(s).

TOOLS REQUIRED

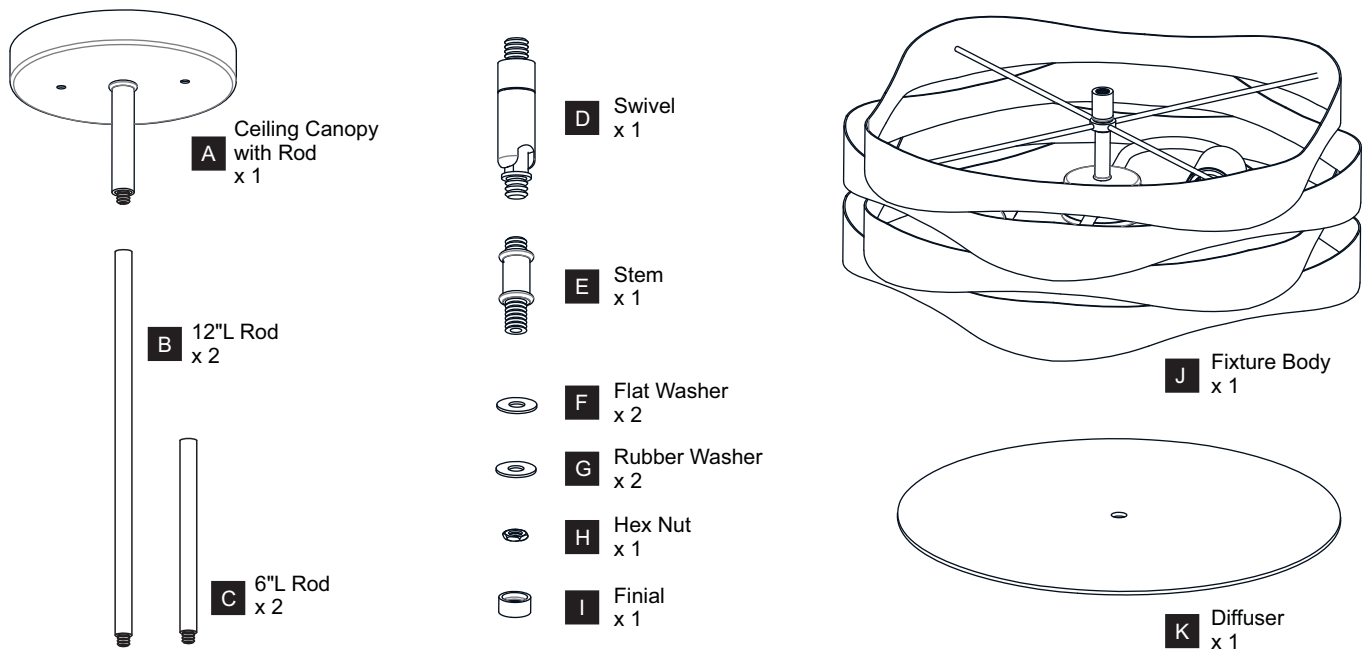


CARE AND MAINTENANCE

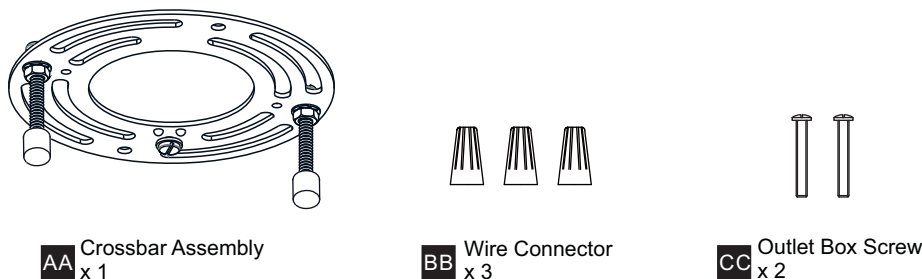
- Wipe clean using soft, dry cloth or static duster. Always avoid using harsh chemicals and abrasives to clean fixture as they may damage the finish.

If you need further assistance call Quoizel Customer Care at 1-800-645-3184 (9:00am - 5:00pm EST), or visit us on-line at www.quoizel.com.

PACKAGE CONTENTS



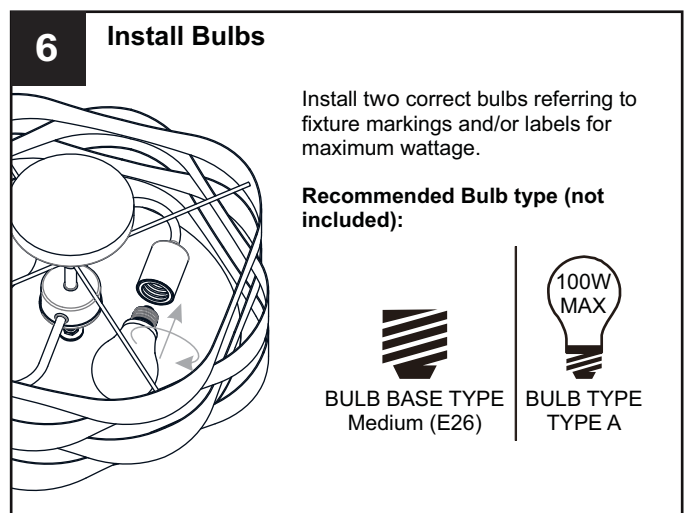
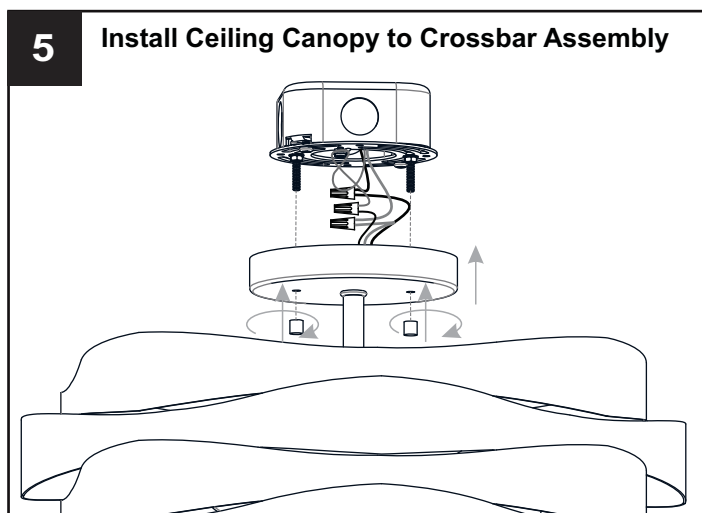
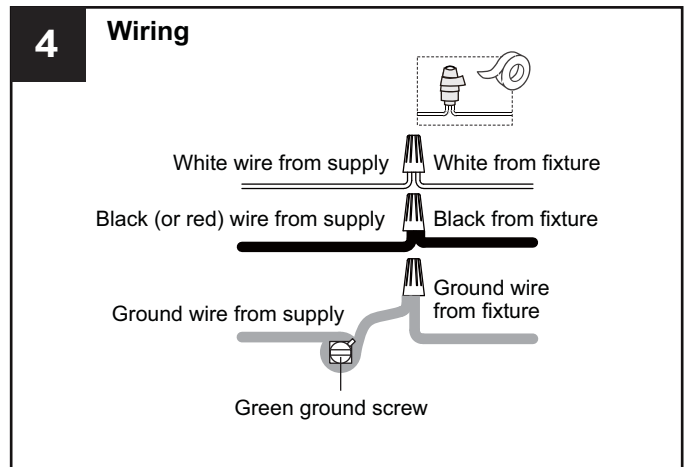
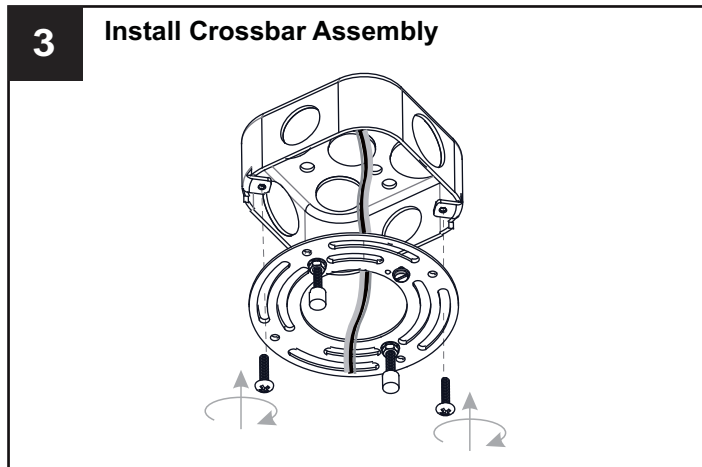
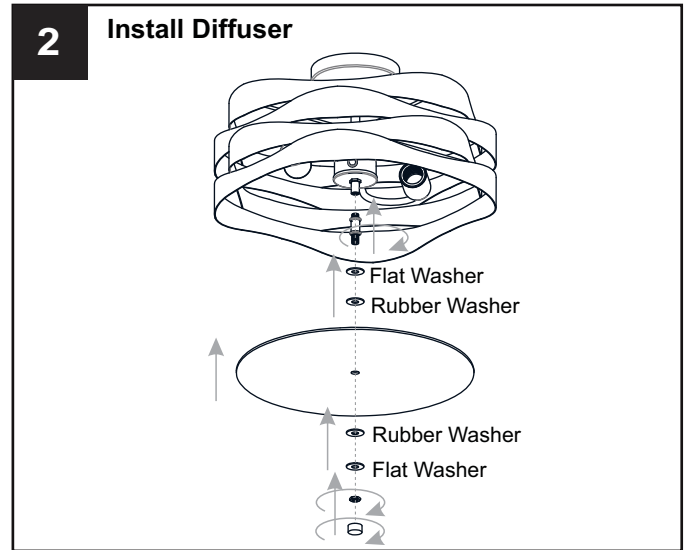
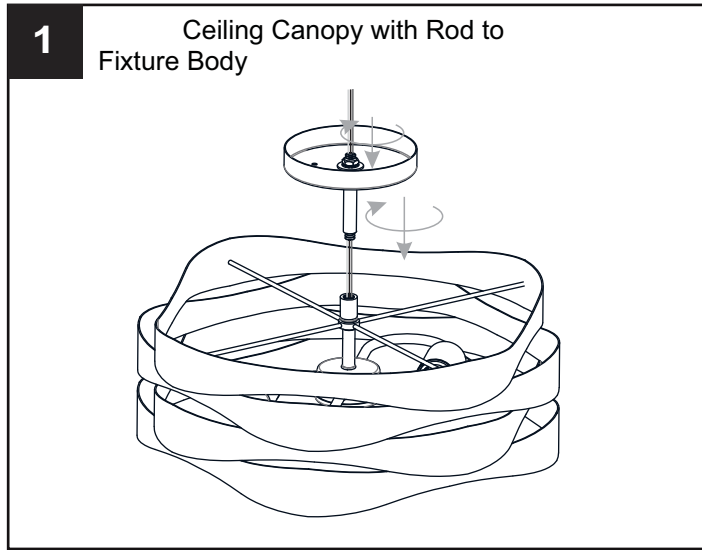
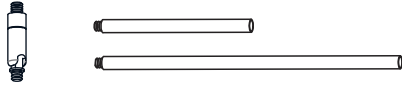
MOUNTING HARDWARE



INSTALLATION

OPTION 1: SEMI-FLUSH: APL1716MBK

* Set aside the swivel, (2) 6"L Rods and (2) 12"L Rods since they are not required for the semi-flush installation.



Your installation is now complete! Restore electricity and save this sheet for future reference.

INSTALLATION

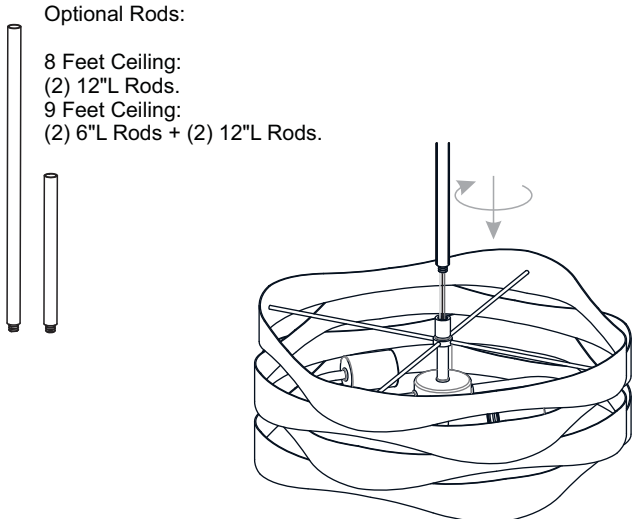
OPTION 2: PENDANT: APL2816MBK

1 Install Rods

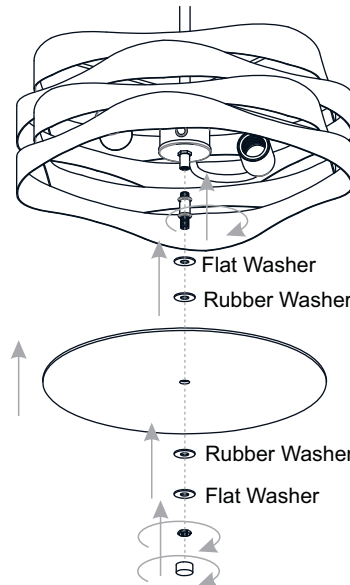
Optional Rods:

8 Feet Ceiling:
(2) 12"L Rods.

9 Feet Ceiling:
(2) 6"L Rods + (2) 12"L Rods.



2 Install Diffuser



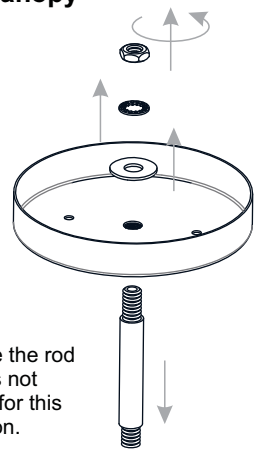
Flat Washer

Rubber Washer

Rubber Washer

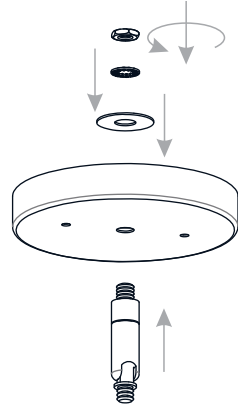
Flat Washer

3 Separate Rod from Ceiling Canopy

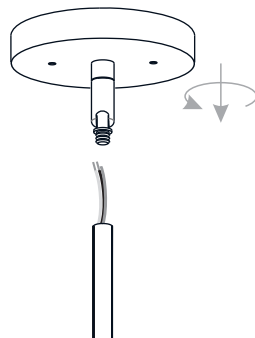


Set aside the rod since it is not required for this installation.

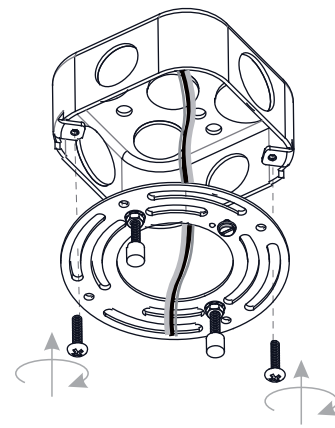
4 Install Swivel to Ceiling Canopy



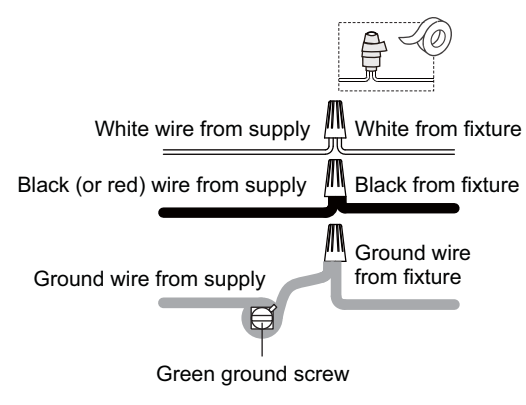
5 Install Ceiling Canopy to Upper Rod



6 Install Crossbar Assembly



7 Wiring



White wire from supply

White from fixture

Black (or red) wire from supply

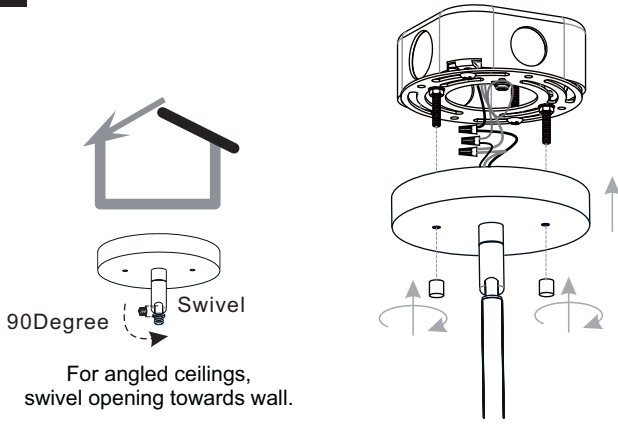
Black from fixture

Ground wire from supply

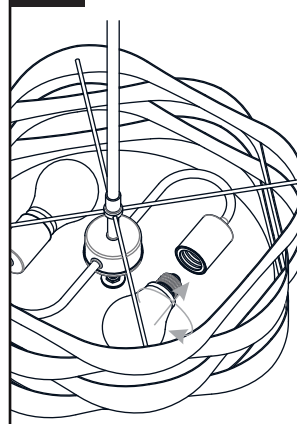
Ground wire from fixture

Green ground screw

8 Install Ceiling Canopy to Crossbar Assembly

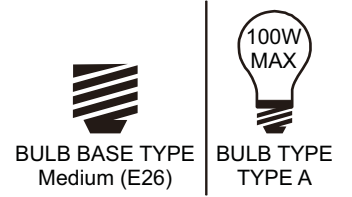


9 Install Bulbs



Install two correct bulbs referring to fixture markings and/or labels for maximum wattage.

Recommended Bulb type (not included):



Your installation is now complete! Restore electricity and save this sheet for future reference.