

SAFETY INFORMATION

Please read and understand this entire manual before attempting to assemble, install or operate the product.

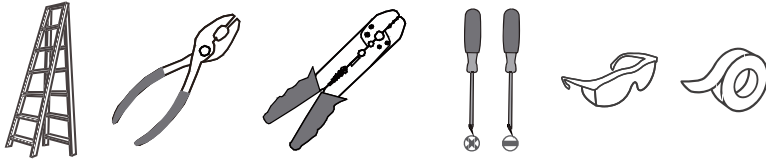
WARNING

- RISK OF ELECTRIC SHOCK - Before beginning installation, turn off electricity at the circuit breaker box or the main fuse box.
- RISK OF FIRE - Use bulbs specified by the markings and/or labels on the fixture.

CAUTION

- For your safety, read instructions completely before beginning installation.
- If in doubt about electrical installation, consult a licensed electrician.
- Turn off electricity to fixture before replacing the bulb(s).

TOOLS REQUIRED

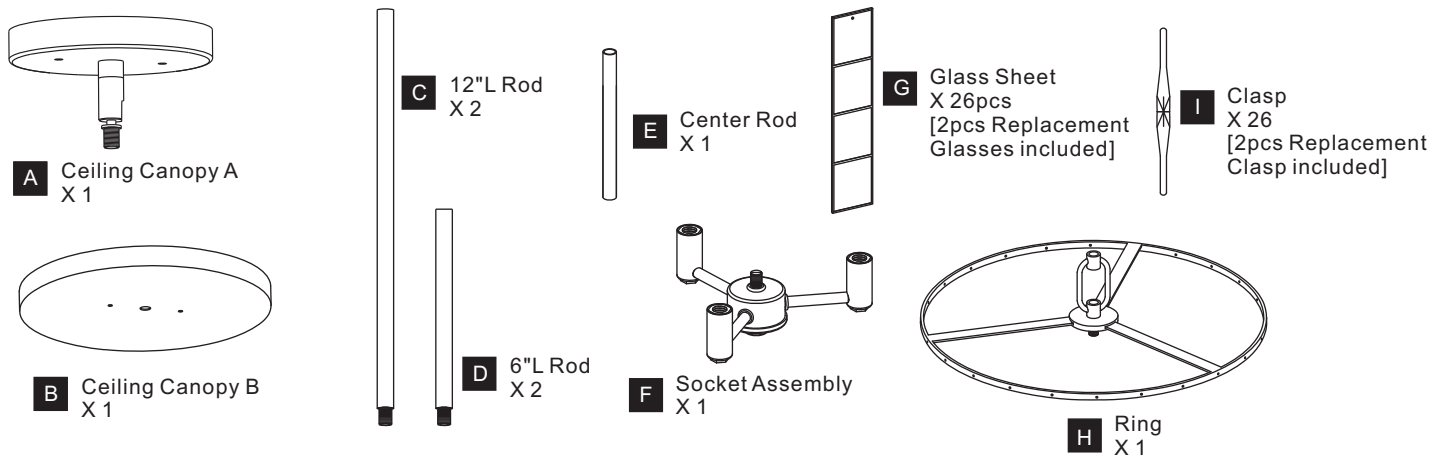


CARE AND MAINTENANCE

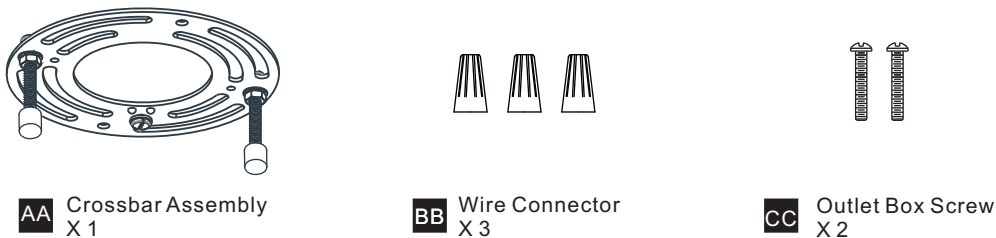
- Wipe clean using soft, dry cloth or static duster. Always avoid using harsh chemicals and abrasives to clean fixture as they may damage the finish.

If you need further assistance call Quozel Customer Care at 1-800-645-3184(9:00am - 5:00pm EST), or visit us on-line at www.quezel.com

PACKAGE CONTENTS



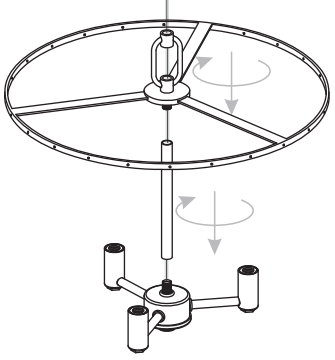
MOUNTING HARDWARE



INSTALLATION

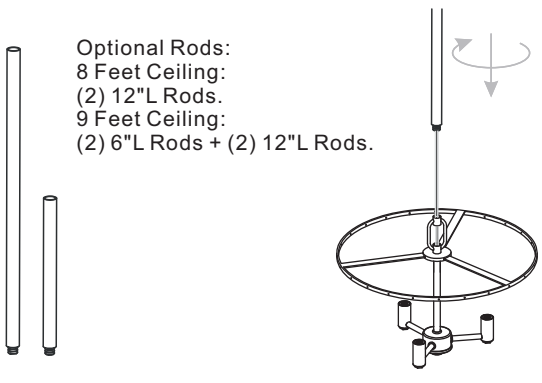
OPTION 1: PENDANT - SGL2814MBK

1 Install Ring to Socket Assembly

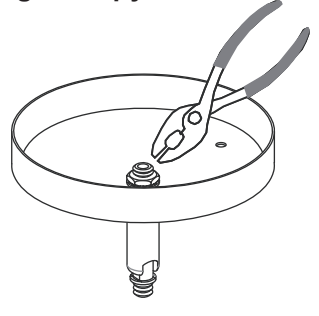


2 Install Rods

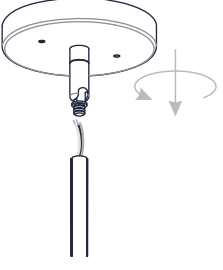
Optional Rods:
8 Feet Ceiling:
(2) 12"L Rods.
9 Feet Ceiling:
(2) 6"L Rods + (2) 12"L Rods.



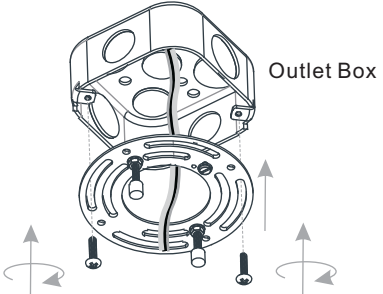
3 Tighten hex nut inside of the Ceiling Canopy A



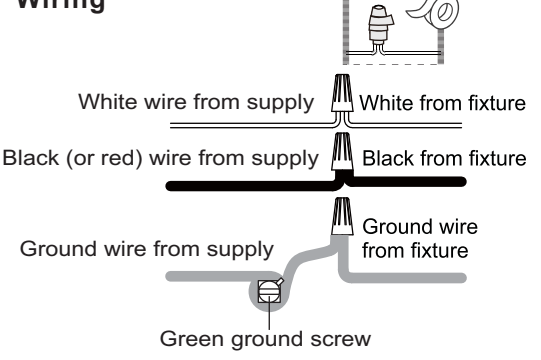
4 Install Ceiling Canopy A to Upper Rod



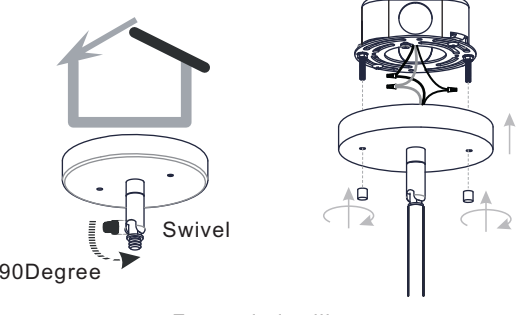
5 Install Crossbar Assembly



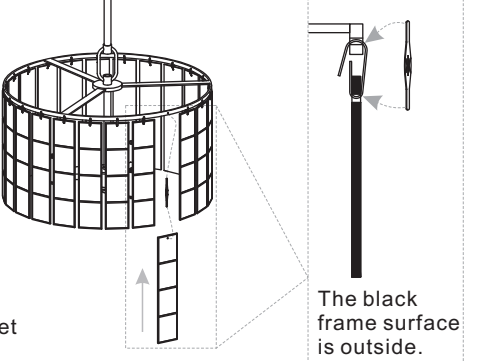
6 Wiring



7 Install Ceiling Canopy A to Crossbar Assembly



8 Install Glass Sheets



*Glass Sheet X 26pcs [2pcs Replacement Glasses included]

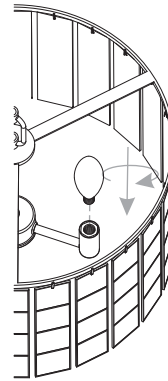
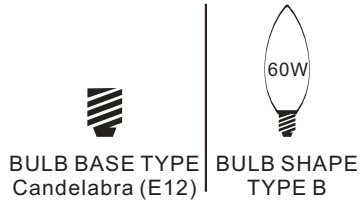
The black frame surface is outside.

INSTALLATION

9 Install Bulbs

Install three correct bulbs referring to fixture markings and/or labels for maximum wattage.

Recommended Bulb Type (not included):



INSTALLATION

IMPORTANT: This CONVERTIBLE fixture can be mounted as pendant light or semi-flush light. **DO NOT CUT SUPPLY WIRES** if you intend to use it as pendant light.

OPTION 2: SEMI-FLUSH SGL1714MBK

* Set aside (2) 6"L Rods, (2) 12"L Rods since they are not required for the semi-flush installation.



1 Remove Swivel

*Ceiling Canopy A and Swivel since they are not required for the semi-flush installation.

2 Remove Loop

*Loop since they are not required for the semi-flush installation.

3 Install Ceiling Canopy B

4 Install Ring to Socket Assembly

5 Install Crossbar Assembly

Outlet Box

INSTALLATION

6 Wiring

White wire from supply White from fixture
Black (or red) wire from supply Black from fixture
Ground wire from supply Ground wire from fixture
Green ground screw

7 Install Ceiling Canopy B

8 Install Glass Sheets



* Glass Sheet
X 26pcs
[2pcs Replacement
Glasses included]

The black
frame surface
is outside.

9 Install Bulbs

Install three correct bulbs referring to fixture markings and/or labels for maximum wattage.

Recommended Bulb Type (not included):

	
BULB BASE TYPE Candelabra (E12)	BULB SHAPE TYPE B

Your installation is now complete! Restore electricity and save this sheet for future reference.